

PRODUCT INFORMATION PACKET



Model No: 132359.00

Catalog No: 132359.00

..3HP..1800RPM.182TYZ.TEFC.208-230/460VAC.3PH.60HZ.CONT.40C.1.15 SF.2-Bolt SAE A.....

Regal and Leeson are trademarks of Regal Rexnord Corporation or one of its affiliated companies.

©2023 Regal Rexnord Corporation, All Rights Reserved. MC017097E





Nameplate Specifications

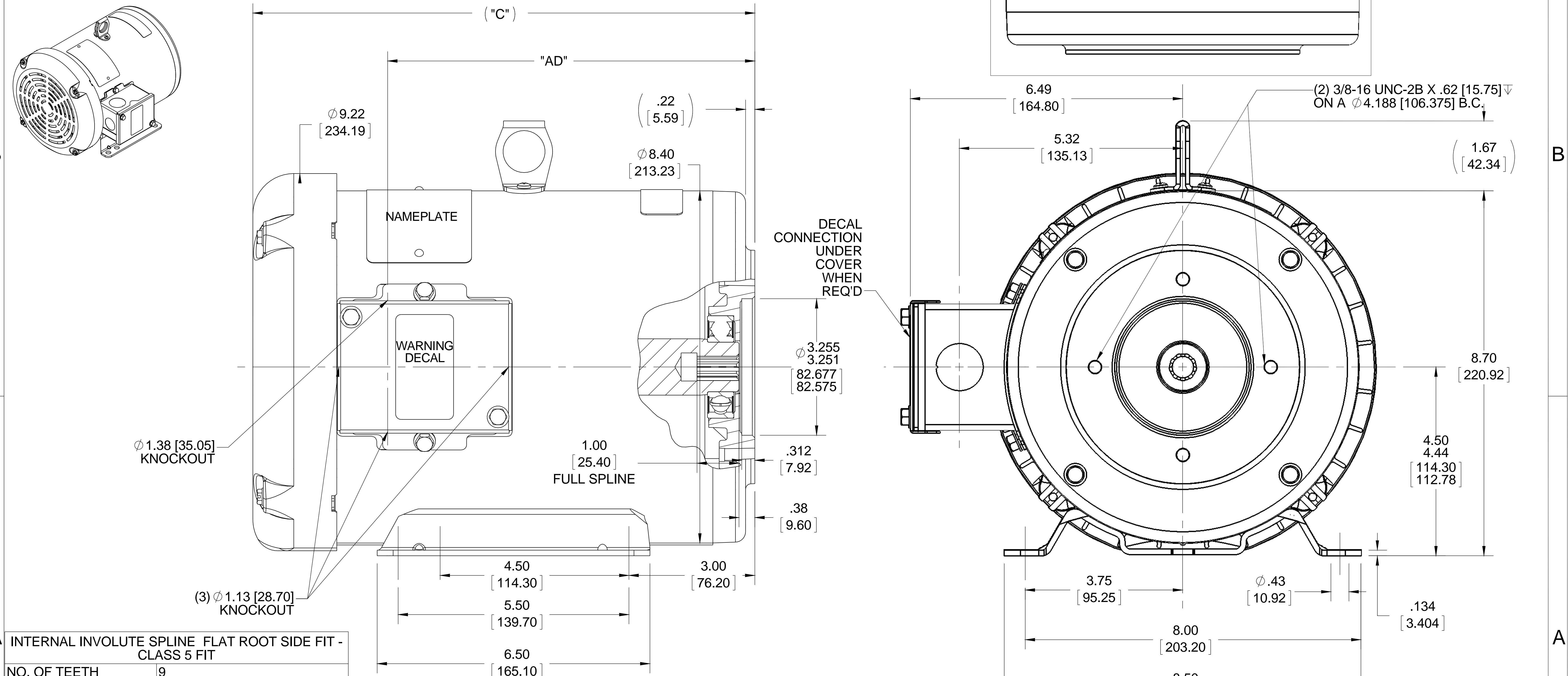
Phase	3	Output HP	3 & 2 Hp
Output KW	2.2 & 1.5 kW	Voltage	208-230/460 & 190/380 V
Speed	1760 & 1470 rpm	Service Factor	1.15 & 1.15
Frame	182TZ	Enclosure	Totally Enclosed Fan Cooled
Thermal Protection	No Protection	Efficiency	87.5 %
Ambient Temperature	40 °C	Frequency	60 & 50 Hz
Current	8-8.6/4.3 & 7.8/3.9 A	Power Factor	74
Duty	Continuous	Insulation Class	F
Design Code	B	KVA Code	K
Drive End Bearing Size	6207	Opp Drive End Bearing Size	6205
UL	Recognized	CSA	Y
CE	N	IP Code	43
Number of Speeds	1		

Technical Specifications

Electrical Type	Squirrel Cage Inverter Rated	Starting Method	Line Or Inverter
Poles	4	Rotation	Reversible
Resistance Main	4.4 Ohms	Mounting	Rigid Base
Motor Orientation	Horizontal	Drive End Bearing	Ball
Opp Drive End Bearing	Ball	Frame Material	Rolled Steel
Shaft Type	Single Special Extension	Assembly/Box Mounting	F1 ONLY
Inverter Load	CONSTANT 10:1		
Outline Drawing	608-0003-000	Connection Drawing	005010.01

This is an uncontrolled document once printed or downloaded and is subject to change without notice. Date Created:06/22/2023

PART NUMBER	ORACLE PART REV.	EDGE PART REV.
608-0003	01	B



Ø 1.38 [35.05] KNOCKOUT

(3) Ø 1.13 [28.70] KNOCKOUT

INTERNAL INVOLUTE SPLINE FLAT ROOT SIDE FIT - CLASS 5 FIT	
NO. OF TEETH	9
SPLINE PITCH	16/32
PRESSURE ANGLE	30°
BASE DIAMETER	.4871 [12.3723] REF.
PITCH DIAMETER	.5625 [14.2875] REF.
MAJOR DIAMETER	.651 [16.5354] MAX
FORM DIAMETER	.629 [15.9766]
MINOR DIAMETER	.509/.514 [12.9286/13.0556]
CIRCULAR SPACE WIDTH	
MAXIMUM ACTUAL	.1008 [2.5603]
MINIMUM EFFECTIVE	.0982 [2.4943]
SIZE BETWEEN	BHT .399/.401 [10.135/10.185]
Ø .108[2.743] PINS	AHT .399/.402 [10.135/10.211]
ANSI B92.1-1996 PROVISIONS APPLY	

DASH NO	"C"	"AD"
900	11.96	8.75
1000	12.96	9.75

GASKETS THROUGHOUT
MAXIMUM SPLINE PITCH DIAMETER RUNOUT TO BE .004 [.102] T.I.R.

DRAWING REVISION	REVISION BY	DATE
C	SS	03/21/16
ECO	APPROVED BY	DATE
ECO-0098659	SS	03/21/16
ECO DESCRIPTION		

TABLE ADDED
COPYRIGHT REGAL BELOIT AMERICA, INC. ALL RIGHTS RESERVED. PROPRIETARY AND CONFIDENTIAL INFORMATION - THIS DOCUMENT IS THE PROPERTY OF REGAL BELOIT AMERICA, INC. ("OWNER") AND CONTAINS OWNER'S PROPRIETARY INFORMATION. ANY PERSON, CORPORATION OR OTHER FIRM RECEIVING IT IS DEEMED, BY RECEIVING IT, TO AGREE THAT IT, AND/OR ANY PART OF IT, SHALL NOT BE DISCLOSED TO ANY PERSON, CORPORATION OR OTHER ENTITY, DUPLICATED, AND/OR USED, EXCEPT AS EXPRESSLY APPROVED IN WRITING IN ADVANCE BY OWNER. THIS DOCUMENT SHALL BE RETURNED TO OWNER UPON REQUEST. IT MAY BE SUBJECT TO CERTAIN RESTRICTIONS UNDER APPLICABLE EXPORT CONTROL LAWS AND REGULATIONS.

TOLERANCES UNLESS OTHERWISE SPECIFIED:			
DEC.	INCH	mm	ANGLE
.X	±0.1	[±2.5]	±0.5°
.XX	±0.03	[±0.76]	
.XXX	±0.005	[±0.127]	
.XXXX	±0.0005	[±0.0127]	
REMOVE BURRS & BREAK SHARP EDGES: .003/.015 [.076/.381]			
CORNER FILLETS: .02 [.51]			
MACHINED SURFACES: 125 INCH 3.2 mm SHOWN IN [BRACKETS]			

DRAWN BY	MITCH VERBICK
DATE	1/16/2014
APPROVED BY	
DATE	
PROCESS/FINISH	
THIRD ANGLE PROJECTION	

REGAL™ Regal Beloit America, Inc.

DESCRIPTION	
OUTLINE 180 FR TEFC SAE A 2-BOLT	
MATERIAL	
SIZE	B
DRAWING NUMBER	608-0003
SHEET	1 OF 1

005010-01

VIEW FROM OUTSIDE OF MOTOR AT SWITCH END.



VOLTAGE	L1	L2	L3	JOIN & INSULATE
HIGH	T1	T2	T3	(T4,T7) (T5,T8) (T6,T9)
LOW	T1,T7	T2,T8	T3,T9	T4,T5,T6

				TOLERANCES UNLESS SPECIFIED		Regal Beloit America, Inc.		DRAWN RDW 04/12/02				
				DEC.	INCHES			CHK				
				.X	±.1			APPD				
				.XX	±.01			SCALE 1=1				
				.XXX	±.005	TITLE		REF FIG.2-51				
A	UPDATED TO REGAL LOGO			SAJ	06/26/15	AJY	.XXXX	±.0005	MAT'L. DECAL - 004014	FMF		
NO.	REVISION			BY & DATE	CHK	ANG	±1/2"		FINISH	PREV		
THIS DRAWING IN DESIGN AND DETAIL IS OUR PROPERTY AND MUST NOT BE USED EXCEPT IN CONNECTION WITH OUR WORK ALL RIGHTS OF DESIGN AND INVENTION ARE RESERVED THIS IS AN ELECTRONICALLY GENERATED DOCUMENT - DO NOT SCALE THIS PRINT				RFP	04/12/02		CAD FILE	00501001		SIZE	DRAWING NO.	REV.
				DIST	BRF-NLV				A	005010-01		A