

PRODUCT INFORMATION PACKET



Model No: 132300.00

Catalog No: 132300.00

.3HP..3510RPM.182TDZ.TEFC.230/460V.3PH.60HZ.CONT.40C.1.25SF.RIGID D FLANGE.C182T34FL2.....NONE...

....

Regal and Leeson are trademarks of Regal Rexnord Corporation or one of its affiliated companies.

©2024 Regal Rexnord Corporation, All Rights Reserved. MC017097E





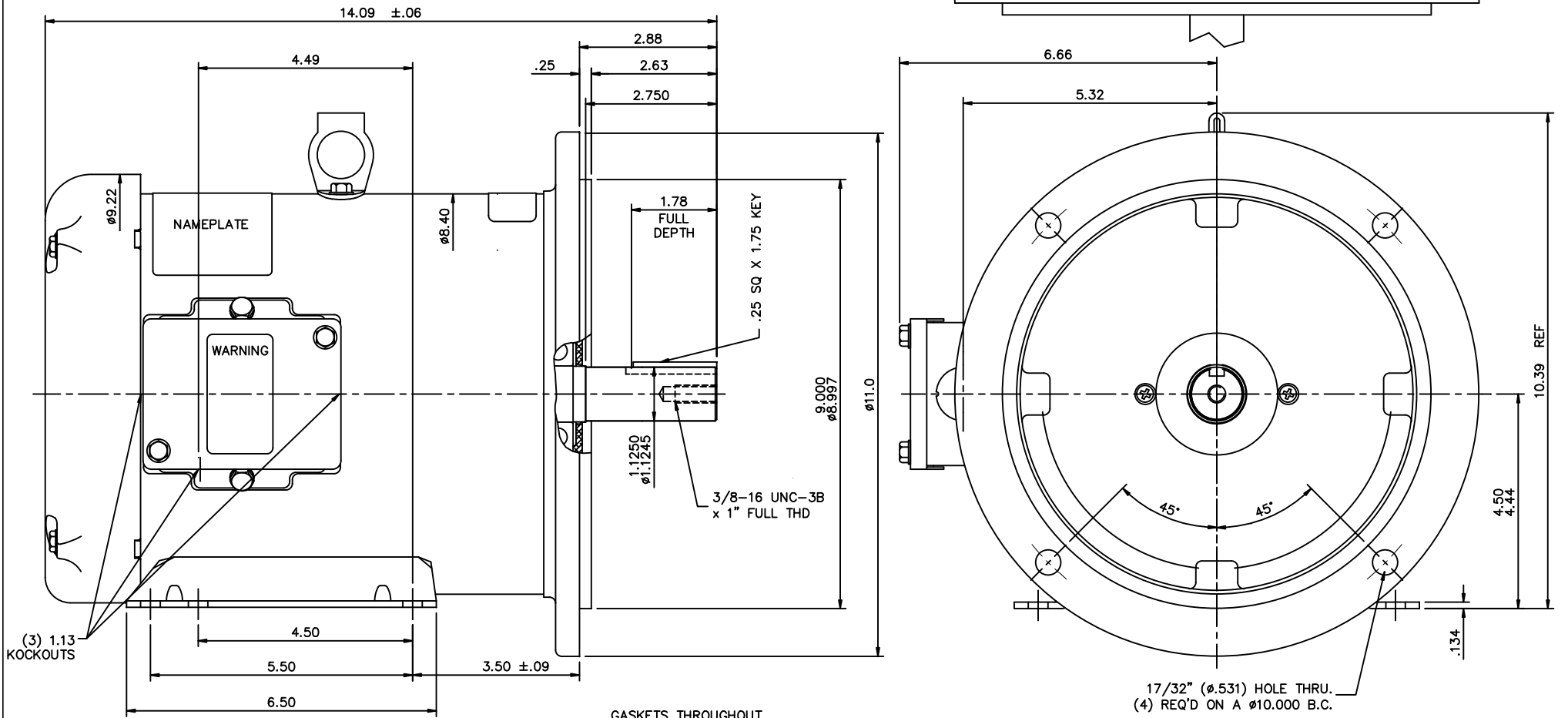
Nameplate Specifications

Phase	3	Output HP	3 Hp
Output KW	2.2 kW	Voltage	230/460 V
Speed	3510 rpm	Service Factor	1.25
Frame	182TDZ	Enclosure	Totally Enclosed Fan Cooled
Thermal Protection	No Protection	Efficiency	86.5 %
Ambient Temperature	40 °C	Frequency	60 Hz
Current	7.8/3.9 A	Power Factor	83.7
Duty	Continuous	Insulation Class	F
Design Code	B	KVA Code	K
Drive End Bearing Size	6206	Opp Drive End Bearing Size	6205
UL	Recognized	CSA	Y
CE	Y	IP Code	43
Number of Speeds	1		

Technical Specifications

Electrical Type	Squirrel Cage Induction Run	Starting Method	Across The Line
Poles	2	Rotation	Reversible
Resistance Main	3.97 Ohms	Mounting	Rigid Base
Motor Orientation	Horizontal	Drive End Bearing	Ball
Opp Drive End Bearing	Ball	Frame Material	Rolled Steel
Shaft Type	Single Special Extension	Shaft Diameter	1.125 in
Assembly/Box Mounting	F1/F2 CAPABLE		
Outline Drawing	OL132300-00	Connection Drawing	005010.01

This is an uncontrolled document once printed or downloaded and is subject to change without notice. Date Created:09/12/2024



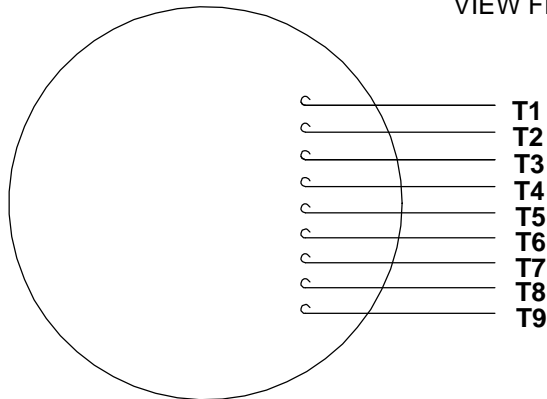
NOTE:
 BASE & D-FLANGE MOUNTING HOLES TO BE SQUARE AND PARALLEL TO EACH OTHER ± 1/32" MAX.

BOTH ENDS:
 MAXIMUM FACE RUNOUT TO BE .004 T.I.R.
 MAXIMUM PILOT ECCENTRICITY TO BE .004 T.I.R.
 PERMISSIBLE SHAFT RUNOUT TO BE .002 T.I.R.

GASKETS THROUGHOUT

		TOLERANCES UNLESS SPECIFIED		LEESON	ELECTRIC MOTORS GEARMOTORS AND DRIVES	DRAWN NB 07/26/2011			
		DEC.	INCHES			CHK	ST	07/26/2011	
		.X	±.1	TITLE		APPD	ST 07/26/2011		
		.XX	±.03	OUTLINE - 182T FRAME		SCALE	1=2		
		.XXX	±.005	TEFC - RIGID		REF	OL132212		
		.XXXX	±.0005	GENERAL PURPOSE		FMF			
NO.	REVISION	BY & DATE	CHK	ANG	FINISH	PREV			
THIS DRAWING IN DESIGN AND DETAIL IS OUR PROPERTY AND MUST NOT BE USED EXCEPT IN CONNECTION WITH OUR WORK ALL RIGHTS OF DESIGN AND INVENTION ARE RESERVED THIS IS AN ELECTRONICALLY GENERATED DOCUMENT - DO NOT SCALE THIS PRINT				RFP	CAD FILE	OL132300	SIZE	DRAWING NO.	REV.
				DIST	NLV		B	OL132300	

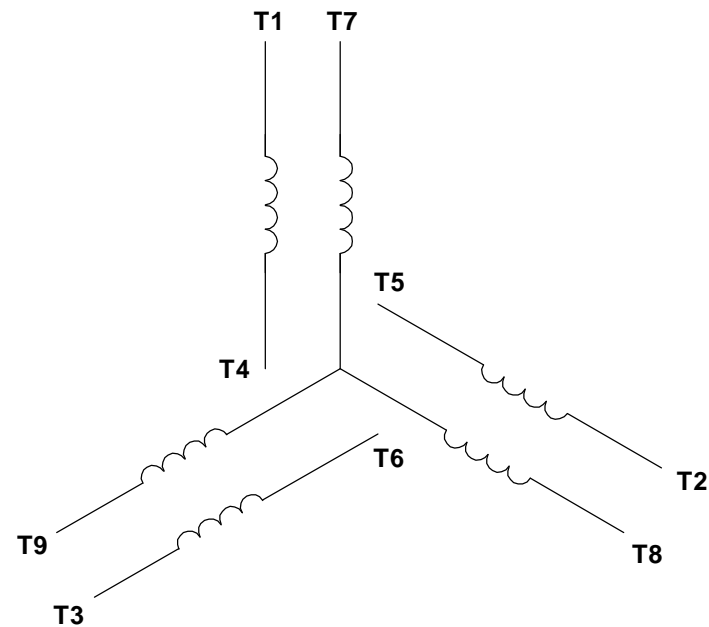
VIEW FROM OUTSIDE OF MOTOR AT SWITCH END.



MODEL NO.	HP	RPM	VOLTAGE	MODEL NO.	HP	RPM	VOLTAGE
3N841	1/4	1725	208-230/460	6WY43	1 1/2	1740	208-230/460
3N842	1/3	1725	208-230/460	6WY44	1 1/2	3450	208-230/460
3N851	1/3	3450	208-230/460	6WY45	1 1/2	3450	208-230/460
3N852	1/2	3450	208-230/460	6WY46	2	1740	208-230/460
3N854	1/3	3450	208-230/460	6WY47	2	1740	208-230/460
3N855	1/2	3450	208-230/460	6WY48	2	3450	208-230/460
6WY28	1/3	1740	208-230/460	6WY49	2	3450	208-230/460
6WY29	1/3	3450	208-230/460	6WY50	3	3450	208-230/460
6WY30	1/2	1140	208-230/460	6WY51	1/2	1140	208-230/460
6WY31	1/2	1740	208-230/460	6WY52	1/2	1140	208-230/460
6WY32	1/2	3450	208-230/460	6WY53	1/2	1740	208-230/460
6WY33	3/4	1140	208-230/460	6WY54	3/4	1140	208-230/460
6WY34	3/4	1740	208-230/460	6WY55	3/4	1740	208-230/460
6WY35	3/4	3450	208-230/460	6WY56	1	1140	208-230/460
6WY36	1	1140	208-230/460	6WY57	1	1740	208-230/460
6WY37	1	1140	208-230/460	6WY58	1	1740	208-230/460
6WY38	1	1740	208-230/460	6WY59	1 1/2	1740	208-230/460
6WY39	1	1740	208-230/460	6WY60	1 1/2	1740	208-230/460
6WY40	1	3450	208-230/460	6WY61	2	1740	208-230/460
6WY41	1	3450	208-230/460	6WY62	2	1740	208-230/460
6WY42	1	1740	208-230/460				

RBC PROPRIETARY AND CONFIDENTIAL INFORMATION
 This document is the property of REGAL BELOIT CORPORATION ("RBC") including its subsidiaries and divisions and contains proprietary information of RBC. This document is loaned on the express condition that neither it nor the information contained therein shall be disclosed to others without the express written consent of RBC, and that the information shall be used by the recipient only as approved expressly by RBC. This document shall be returned to RBC upon its request. This document may be subject to certain restrictions under U.S. export control laws and regulations.

LINE LEADS



VOLTAGE	L1	L2	L3	JOIN & INSULATE
HIGH	T1	T2	T3	(T4, T7) (T5, T8) (T6, T9)
LOW	T1, T7	T2, T8	T3, T9	T4, T5, T6

		TOLERANCES UNLESS SPECIFIED		Dayton Electric Mfg. Co. Lake Forest IL 60045 USA		DRAWN RDW 05/09/05	
		DEC	INCHES			CHK	
04	REVISED GRAINGER ADDRESS AS PER IS12-2651	PVR 7/4/2012	PI	.X	±.1	APPR KJH 05/09/05	
03	REDRAWN IN SOLIDWORKS	VJB 02/08/11		.XX	±.01	SCALE 1:1	
02	ADDED 3N841, 842, 851, 852, 854 & 855 TO CHART	RDW 10/28/05	KH	.XXX	±.005	REF	
01	REMOVED 4YU41, ADDED 6WY28 - 6WY62	RDW 8/01/05	KH	.XXX	±.0005	FMF	
NO	REVISION	BY & DATE	CHK	ANG	±1/2°	PAGE OF	
THIRD ANGLE PROJECTION			RFP	PREV		SIZE	DRAWING NO
			NETWORK FILE NAME		00501001WD	A	005010-01WD
							REV 04

EC Declaration of Conformity

The undersigned representing
the manufacturer:

Regal Beloit America
100 East Randolph St.
Wausau, WI 54401

and the authorized representative
established within the Community:

Marathon Electric UK
6F Thistleton Road Ind. Estate
Market Overton
Oakham, Rutland LE15 7PP UK

are committed to providing customers with products that comply with applicable regulations and international protocols to which they are subject, including the requirements of the European Parliament Directive on the Harmonization of the laws relating to electrical equipment designed for use within certain voltage limits (2014/35/EU).

Regal Beloit America declares that the following product(s), to which this declaration relates, are in conformity with the relevant sections of the EC standards listed below.

This statement supersedes any statements previously issued pertaining to the product(s) listed below and is subject to change without notice.

Model No : 132300.00

(Model No. may contain prefix and/or suffix characters)

Catalog No : 132300.00

Rework No : N/A

Directives :

Low Voltage Directive 2014/35/EU

Harmonized Standards Used :

EN 60034-1: 2010 (IEC 60034-1: 2010)

EN 60034-5: 2001/A1:2007 (IEC 60034-5: 2000/A1:2006)

Authorized Representative:



Michael A. Logsdon
Vice President, Technology

Authorized Representative in the Community:



Julian Clark
Marketing Engineer

Created on 09/01/2022

CE 22