

PRODUCT INFORMATION PACKET



Model No: 132272.00

Catalog No: 132272.00

Fan and Blower Motor, 2 HP, 3 Ph, 60 Hz, 575 V, 1200 RPM, 184TV Frame, TEAO

Regal and Leeson are trademarks of Regal Rexnord Corporation or one of its affiliated companies.
©2023 Regal Rexnord Corporation, All Rights Reserved. MC017097E





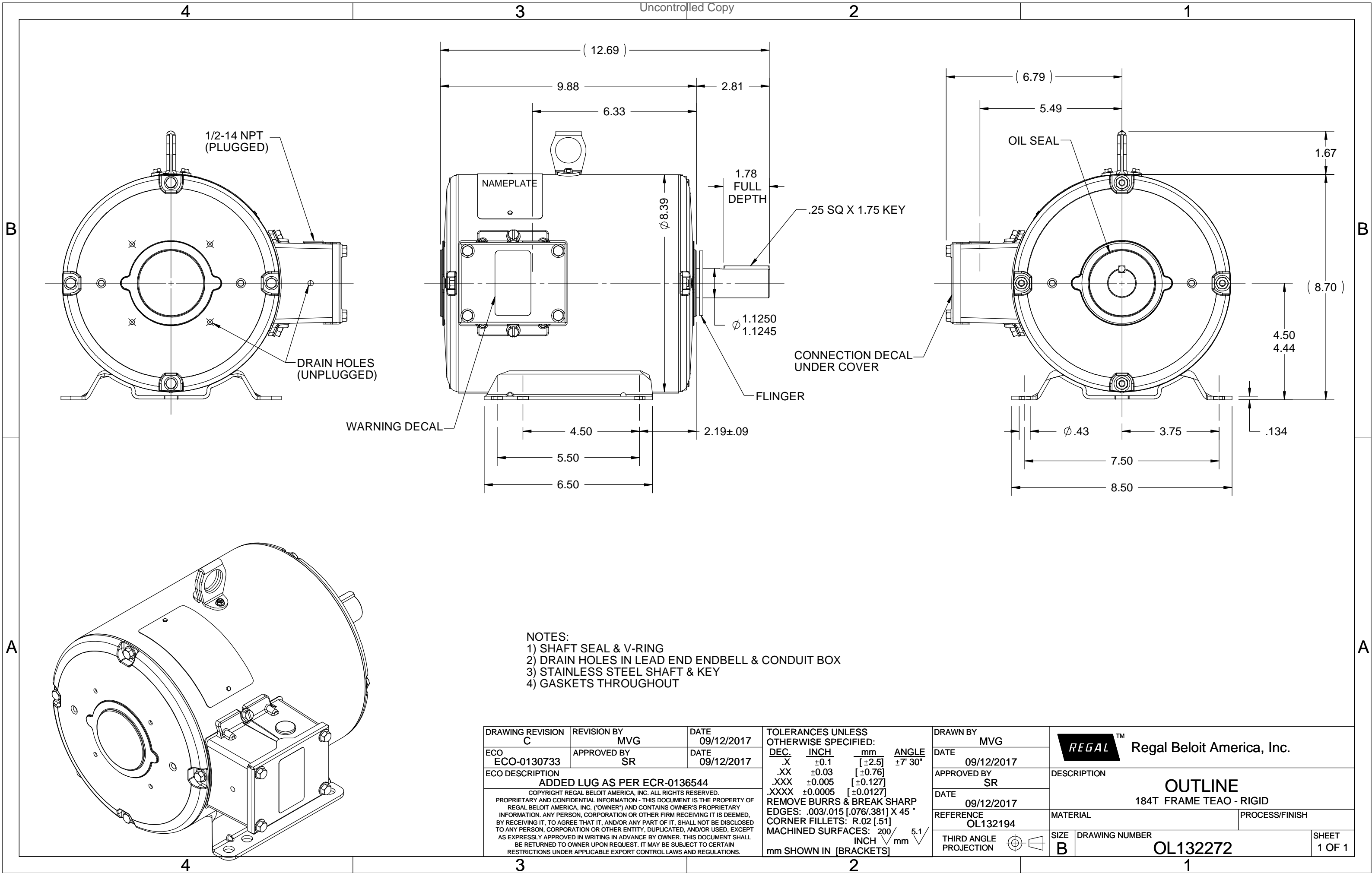
Nameplate Specifications

Output HP	2 Hp	Output KW	1.5 kW
Frequency	60 Hz	Voltage	575 V
Current	2.9 A	Speed	1170 rpm
Service Factor	1.15	Phase	3
Efficiency	86.5 %	Power Factor	60
Duty	Continuous	Insulation Class	H
Design Code	B	KVA Code	L
Frame	184TV	Enclosure	Totally Enclosed Air Over
Thermal Protection	No Protection	Ambient Temperature	65 °C
Drive End Bearing Size	6207	Opp Drive End Bearing Size	6205
UL	Recognized	CSA	Y
CE	Y	IP Code	43
Number of Speeds	1		

Technical Specifications

Electrical Type	Squirrel Cage Induction Run	Starting Method	Across The Line
Poles	6	Rotation	Reversible
Resistance Main	0 Ohms	Mounting	Rigid Base
Motor Orientation	Shaft Up	Drive End Bearing	Ball
Opp Drive End Bearing	Ball	Frame Material	Rolled Steel
Shaft Type	T	Shaft Diameter	1.125 in
Assembly/Box Mounting	F1 ONLY		
Outline Drawing	OL132272	Connection Drawing	005102.01

This is an uncontrolled document once printed or downloaded and is subject to change without notice. Date Created:01/18/2023

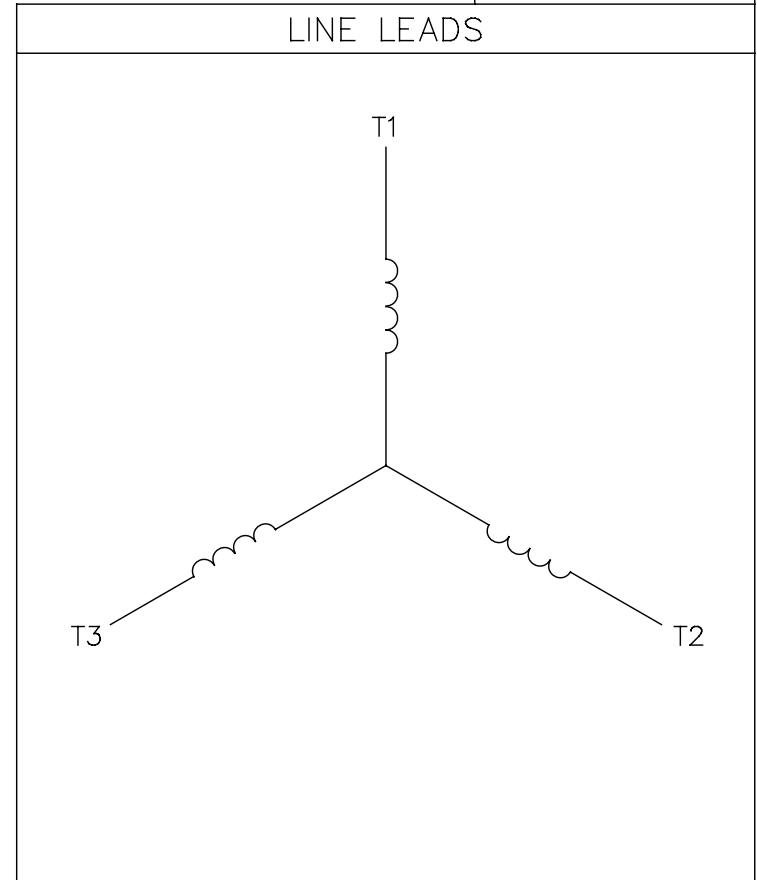
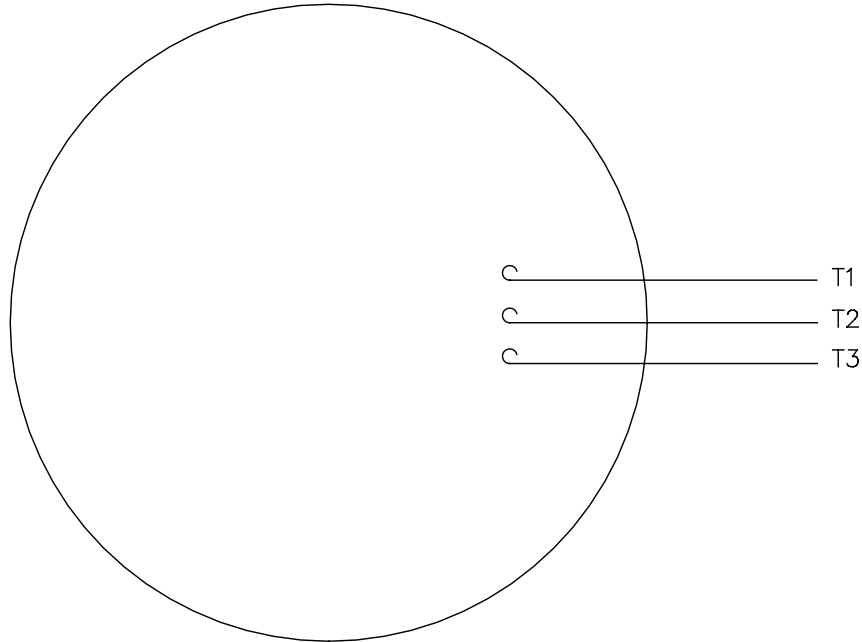


- NOTES:
 1) SHAFT SEAL & V-RING
 2) DRAIN HOLES IN LEAD END ENDBELL & CONDUIT BOX
 3) STAINLESS STEEL SHAFT & KEY
 4) GASKETS THROUGHOUT

DRAWING REVISION C	REVISION BY MVG	DATE 09/12/2017	TOLERANCES UNLESS OTHERWISE SPECIFIED: <table border="1"> <tr> <th>DEC.</th> <th>INCH</th> <th>mm</th> <th>ANGLE</th> </tr> <tr> <td>.X</td> <td>±0.1</td> <td>[±2.5]</td> <td>±7° 30'</td> </tr> <tr> <td>.XX</td> <td>±0.03</td> <td>[±0.76]</td> <td></td> </tr> <tr> <td>.XXX</td> <td>±0.005</td> <td>[±0.127]</td> <td></td> </tr> <tr> <td>.XXXX</td> <td>±0.0005</td> <td>[±0.0127]</td> <td></td> </tr> </table> REMOVE BURRS & BREAK SHARP EDGES: .003/.015 [.076/.381] X 45° CORNER FILLETS: R.02 [.51] MACHINED SURFACES: 200 INCH/mm 5.1 mm SHOWN IN [BRACKETS]	DEC.	INCH	mm	ANGLE	.X	±0.1	[±2.5]	±7° 30'	.XX	±0.03	[±0.76]		.XXX	±0.005	[±0.127]		.XXXX	±0.0005	[±0.0127]		DRAWN BY MVG	Regal Beloit America, Inc.
DEC.	INCH	mm		ANGLE																					
.X	±0.1	[±2.5]	±7° 30'																						
.XX	±0.03	[±0.76]																							
.XXX	±0.005	[±0.127]																							
.XXXX	±0.0005	[±0.0127]																							
ECO ECO-0130733	APPROVED BY SR	DATE 09/12/2017	DATE 09/12/2017	DATE 09/12/2017																					
ECO DESCRIPTION ADDED LUG AS PER ECR-0136544 <small>COPYRIGHT REGAL BELOIT AMERICA, INC. ALL RIGHTS RESERVED. PROPRIETARY AND CONFIDENTIAL INFORMATION - THIS DOCUMENT IS THE PROPERTY OF REGAL BELOIT AMERICA, INC. ("OWNER") AND CONTAINS OWNER'S PROPRIETARY INFORMATION. ANY PERSON, CORPORATION OR OTHER FIRM RECEIVING IT IS DEEMED, BY RECEIVING IT, TO AGREE THAT IT, AND/OR ANY PART OF IT, SHALL NOT BE DISCLOSED TO ANY PERSON, CORPORATION OR OTHER ENTITY, DUPLICATED, AND/OR USED, EXCEPT AS EXPRESSLY APPROVED IN WRITING IN ADVANCE BY OWNER. THIS DOCUMENT SHALL BE RETURNED TO OWNER UPON REQUEST. IT MAY BE SUBJECT TO CERTAIN RESTRICTIONS UNDER APPLICABLE EXPORT CONTROL LAWS AND REGULATIONS.</small>			REFERENCE OL132194	DESCRIPTION OUTLINE 184T FRAME TEAO - RIGID	MATERIAL PROCESS/FINISH																				
			THIRD ANGLE PROJECTION	SIZE B	DRAWING NUMBER OL132272	SHEET 1 OF 1																			

005102-01

VIEW FROM OUTSIDE OF MOTOR AT SWITCH END.



CONNECT LEADS AS FOLLOWS
FOR FOUR CONDUCTOR CORD ()

CORD	L1 (RED)	L2 (WHITE)	L3 (BLACK)	(GREEN)
MOTOR	T1	T2	T3	GROUND

				TOLERANCES UNLESS SPECIFIED		Regal Beloit America, Inc.		DRAWN JRW 9/11/75		
				DEC.	INCHES			CHK		
				.X	±.1	TITLE EXTERNAL WIRING DIAGRAM TYPE "T" W/O PROTECTOR		APPD JCW 9/11/75		
08	UPDATED TO REGAL LOGO	SAJ 06/26/15	AJY .XX	±.01	SCALE 1=1					
07	UPDATED TO CURRENT STANDARDS	DBT 5/30/97	.XXX	±.005	REF W-T6343-6					
06	REDRAWN ON CAD; ADDED DECAL NUMBER	SAW 1/24/95	.XXXX	±.0005	MAT'L. DECAL - 004169		FMF 6T17FB7			
NO.	REVISION	BY & DATE	CHK	ANG	±1/2"	FINISH		PREV		
THIS DRAWING IN DESIGN AND DETAIL IS OUR PROPERTY AND MUST NOT BE USED EXCEPT IN CONNECTION WITH OUR WORK ALL RIGHTS OF DESIGN AND INVENTION ARE RESERVED THIS IS AN ELECTRONICALLY GENERATED DOCUMENT - DO NOT SCALE THIS PRINT				RFP	5/1/02	CAD FILE 00510201		SIZE	DRAWING NO.	REV.
				DIST	BRF-NLV			A	005102-01	08

EC Declaration of Conformity

The undersigned representing
the manufacturer:

Regal Beloit America
100 East Randolph St.
Wausau, WI 54401

and the authorized representative
established within the Community:

Marathon Electric UK
6F Thistleton Road Ind. Estate
Market Overton
Oakham, Rutland LE15 7PP UK

are committed to providing customers with products that comply with applicable regulations and international protocols to which they are subject, including the requirements of the European Parliament Directive on the Harmonization of the laws relating to electrical equipment designed for use within certain voltage limits (2014/35/EU).

Regal Beloit America declares that the following product(s), to which this declaration relates, are in conformity with the relevant sections of the EC standards listed below.

This statement supersedes any statements previously issued pertaining to the product(s) listed below and is subject to change without notice.

Model No : 132272.00

(Model No. may contain prefix and/or suffix characters)

Catalog No : 132272.00

Rework No : N/A

Directives :

Low Voltage Directive 2014/35/EU

Harmonized Standards Used :

EN 60034-1: 2010 (IEC 60034-1: 2010)

EN 60034-5: 2001/A1:2007 (IEC 60034-5: 2000/A1:2006)

Authorized Representative:



Michael A. Logsdon
Vice President, Technology

Authorized Representative in the Community:



Julian Clark
Marketing Engineer

Created on 09/01/2022

CE 22