

PRODUCT INFORMATION PACKET

Model No: 132266.00

Catalog No: 132266.00

3 HP Washdown Motor, 3 phase, 1800 RPM, 575 V, 182TC Frame, TEFC



Regal and are trademarks of Regal Rexnord Corporation or one of its affiliated companies.
©2022 Regal Rexnord Corporation, All Rights Reserved. MC017097E

Nameplate Specifications

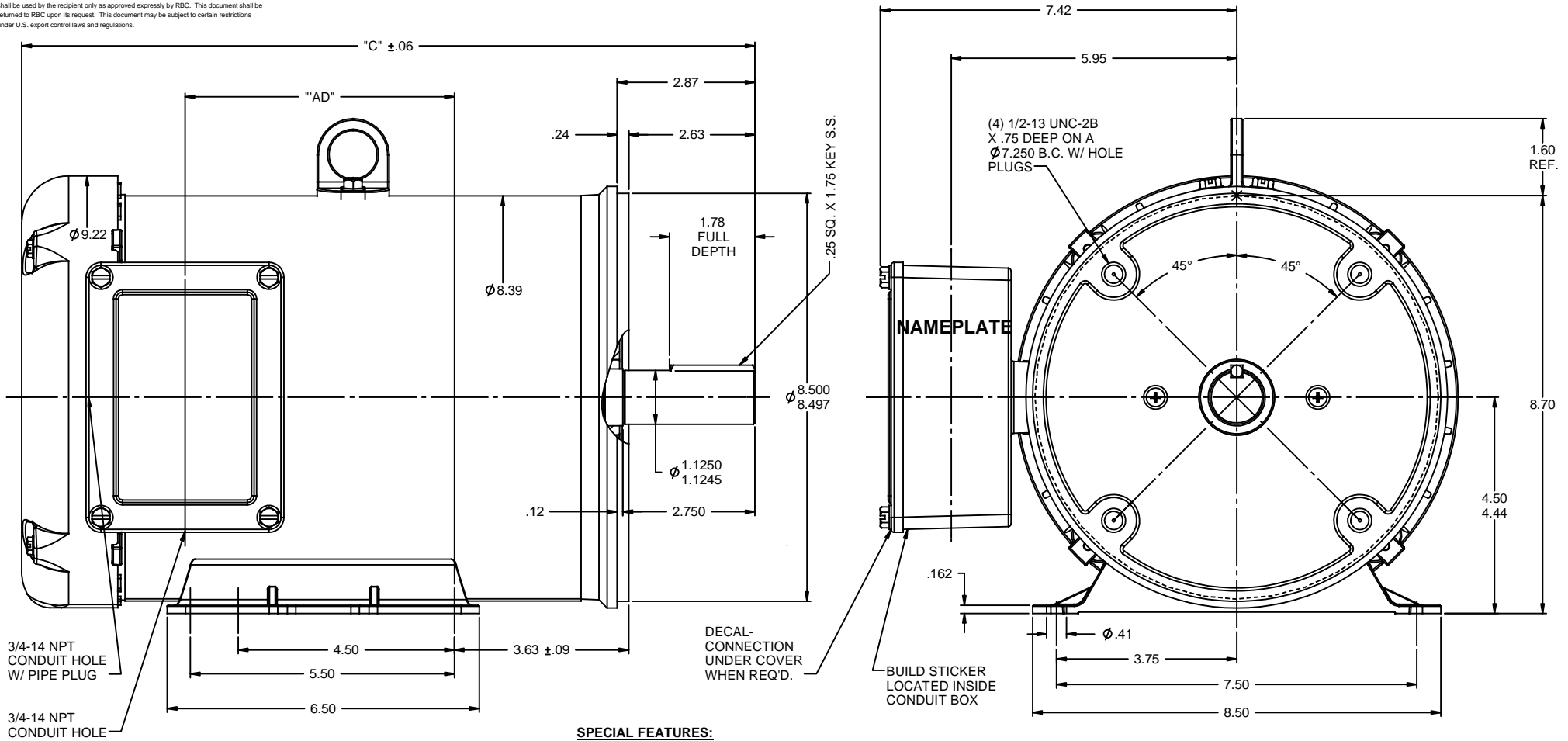
Output HP	3 Hp	Output KW	2.2 kW
Frequency	60 Hz	Voltage	575 V
Current	3.2 A	Speed	1760 rpm
Service Factor	1.15	Phase	3
Efficiency	89.5 %	Power Factor	80.5
Duty	Continuous	Insulation Class	F
Design Code	B	KVA Code	K
Frame	182TC	Enclosure	Totally Enclosed Fan Cooled
Thermal Protection	No Protection	Ambient Temperature	40 °C
Drive End Bearing Size	6207	Opp Drive End Bearing Size	6207
UL	Recognized	CSA	Y
CE	Y	IP Code	55
Number of Speeds	1		

Technical Specifications

Electrical Type	Squirrel Cage Induction Run	Starting Method	Across The Line
Poles	4	Rotation	Reversible
Resistance Main	6.08 Ohms	Mounting	Rigid Base
Motor Orientation	Horizontal	Drive End Bearing	Ball
Opp Drive End Bearing	Ball	Frame Material	Rolled Steel
Shaft Type	T	Shaft Diameter	1.125 in
Assembly/Box Mounting	F1 ONLY		
Outline Drawing	035437-900	Connection Drawing	005102.01

This is an uncontrolled document once printed or downloaded and is subject to change without notice. Date Created:05/24/2022

RBC PROPRIETARY AND CONFIDENTIAL INFORMATION
 This document is the property of REGAL BELOIT CORPORATION ("RBC") including its subsidiaries and divisions and contains proprietary information of RBC. This document is loaned on the express condition that neither it nor the information contained therein shall be disclosed to others without the express written consent of RBC, and that the information shall be used by the recipient only as approved expressly by RBC. This document shall be returned to RBC upon its request. This document may be subject to certain restrictions under U.S. export control laws and regulations.



3/4-14 NPT
CONDUIT HOLE
W/ PIPE PLUG

3/4-14 NPT
CONDUIT HOLE

DECAL-
CONNECTION
UNDER COVER
WHEN REQ'D.

BUILD STICKER
LOCATED INSIDE
CONDUIT BOX

SPECIAL FEATURES:
 DOUBLE LIP OIL SEAL BOTH ENDS
 GASKETS THROUGHOUT
 O-RING SEALED ENDBELLS & THRU BOLTS
 LOCKED BEARING W/ SEALED LOCK SCREWS

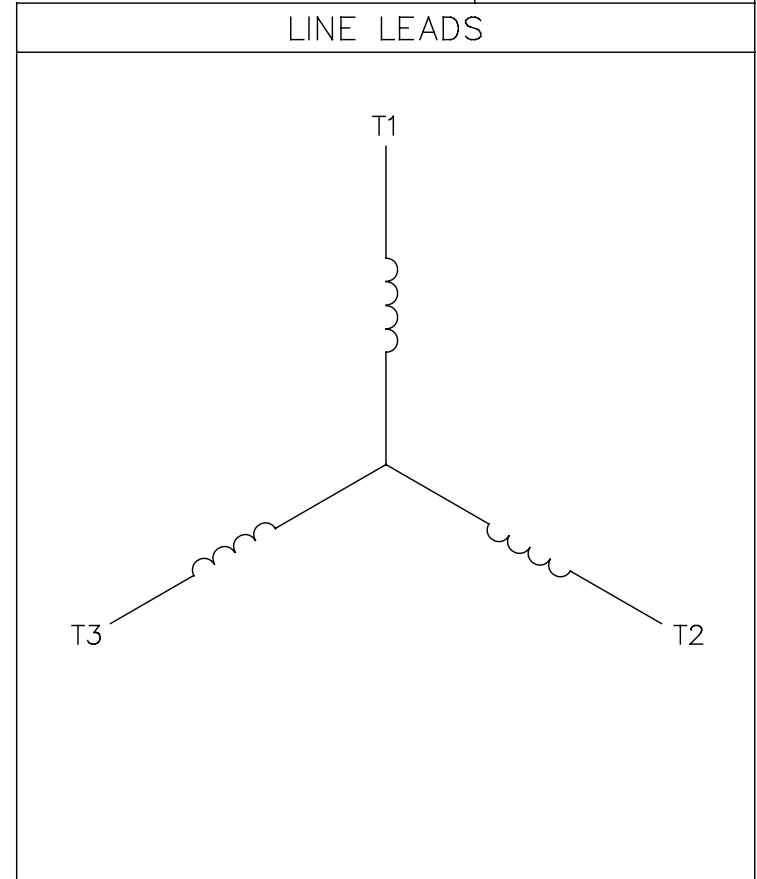
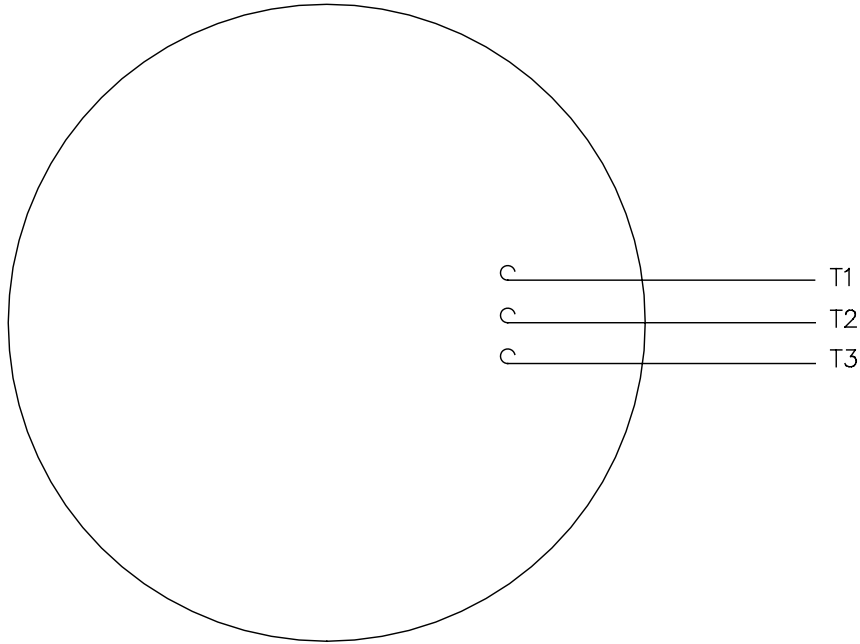
MAXIMUM FACE RUNOUT TO BE .004 T.I.R.
 MAXIMUM PILOT ECCENTRICITY TO BE .004 T.I.R.
 PERMISSIBLE SHAFT RUNOUT TO BE .002 T.I.R.

DASH NO.	"C"	"AD"
850	14.27	4.61
900	14.77	5.11
950	15.27	5.61
1000	15.77	6.11

REVISION		BY & DATE	CHK	ANG	FINISH	REV	PREV	SIZE	DRAWING NO	REV
02	ADDED DASH NO. 1000 (132208.00)	PG 9/21/2010	XX	±.03	TITLE OUTLINE - 180TC FRAME	02		B	035437	02
01	ADDED NOTE FOR BUILD STICKER LOC. PER ISAAC 10-1677	PG 5/4/2010	XXX	±.005	TEFC - RIGID "C"					
-	UPDATED & REDRAWN TO SOLIDWORKS	LST 12/11/2009	XXXX	±.0005	MATL STAINLESS STEEL DUCK					
TOLERANCES UNLESS SPECIFIED:						DRAWN JJK 4/4/02				
DEC INCHES						REGAL BELOIT CORPORATION		CHK		
X ±.1						APPR				
SCALE 1:2						REF OLG131167				
PAGE OF						FMF G131901.00				
THIRD ANGLE PROJECTION						NETWORK FILE NAME 035437				

005102-01

VIEW FROM OUTSIDE OF MOTOR AT SWITCH END.



CONNECT LEADS AS FOLLOWS
FOR FOUR CONDUCTOR CORD ()

CORD	L1 (RED)	L2 (WHITE)	L3 (BLACK)	(GREEN)
MOTOR	T1	T2	T3	GROUND

				TOLERANCES UNLESS SPECIFIED		Regal Beloit America, Inc.			DRAWN JRW 9/11/75			
				DEC.	INCHES				CHK			
				.X	±.1	APPD JCW 9/11/75						
08	UPDATED TO REGAL LOGO	SAJ 06/26/15	AJY	.XX	±.01	TITLE EXTERNAL WIRING DIAGRAM TYPE "T" W/O PROTECTOR			SCALE 1=1			
07	UPDATED TO CURRENT STANDARDS	DBT 5/30/97		.XXX	±.005				REF W-T6343-6			
06	REDRAWN ON CAD; ADDED DECAL NUMBER	SAW 1/24/95		.XXXX	±.0005	MAT'L. DECAL - 004169			FMF 6T17FB7			
NO.	REVISION	BY & DATE	CHK	ANG	±1/2"				FINISH			PREV
THIS DRAWING IN DESIGN AND DETAIL IS OUR PROPERTY AND MUST NOT BE USED EXCEPT IN CONNECTION WITH OUR WORK ALL RIGHTS OF DESIGN AND INVENTION ARE RESERVED THIS IS AN ELECTRONICALLY GENERATED DOCUMENT - DO NOT SCALE THIS PRINT				RFP	5/1/02	CAD FILE 00510201			SIZE	DRAWING NO. 005102-01		REV.
				DIST					BRF-NLV			A