

# PRODUCT INFORMATION PACKET



Model No: 132234.00

Catalog No: 132234.00

General Purpose Motor, 3 & 2 HP, 3 Ph, 60 & 50 Hz, 230/460 & 190/380 V, 1800 & 1500 RPM,  
182T Frame, DP



Regal and Leeson are trademarks of Regal Rexnord Corporation or one of its affiliated companies.

©2023 Regal Rexnord Corporation, All Rights Reserved. MC017097E





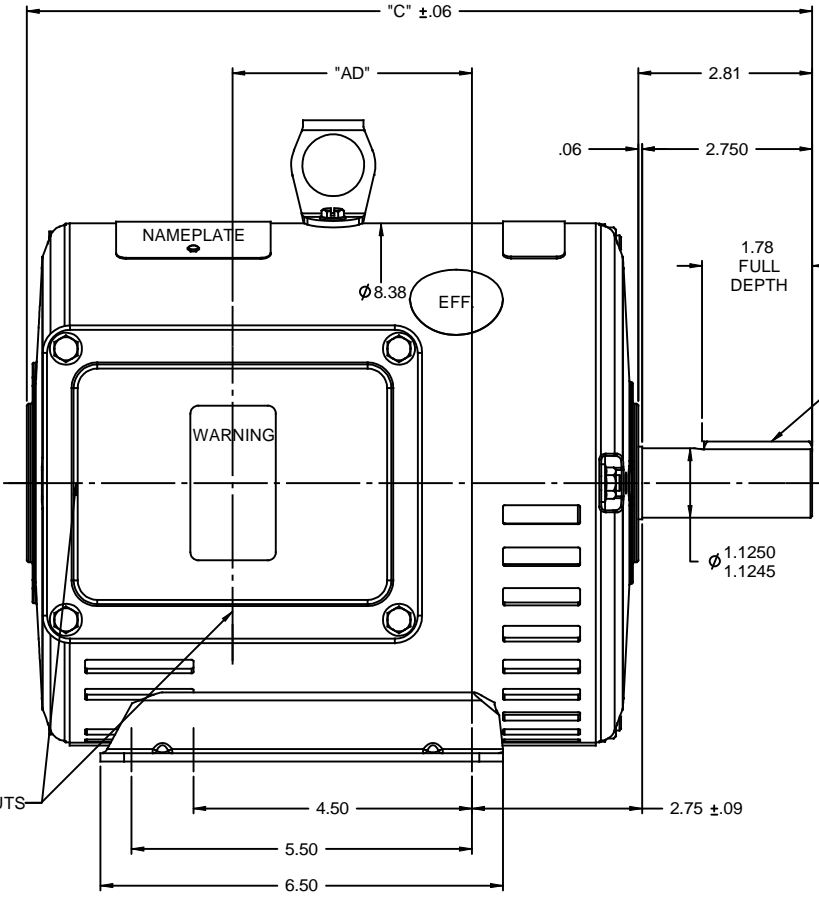
### Nameplate Specifications

Phase	<b>3</b>	Output HP	<b>3 &amp; 2 Hp</b>
Output KW	<b>2.2 &amp; 1.5 kW</b>	Voltage	<b>230/460 &amp; 190/380 V</b>
Speed	<b>1760 &amp; 1460 rpm</b>	Service Factor	<b>1.15 &amp; 1.15</b>
Frame	<b>182T</b>	Enclosure	<b>Drip Proof</b>
Thermal Protection	<b>Automatic</b>	Efficiency	<b>89.5 &amp; 87.5 %</b>
Ambient Temperature	<b>40 °C</b>	Frequency	<b>60 &amp; 50 Hz</b>
Current	<b>8/4 &amp; 6.8/3.4 A</b>	Power Factor	<b>79.3</b>
Duty	<b>Continuous</b>	Insulation Class	<b>F</b>
Design Code	<b>B</b>	KVA Code	<b>K</b>
Drive End Bearing Size	<b>6206</b>	Opp Drive End Bearing Size	<b>6205</b>
UL	<b>Recognized</b>	CSA	<b>Y</b>
CE	<b>Y</b>	IP Code	<b>22</b>
Number of Speeds	<b>1</b>		

### Technical Specifications

Electrical Type	<b>Squirrel Cage Induction Run</b>	Starting Method	<b>Across The Line</b>
Poles	<b>4</b>	Rotation	<b>Reversible</b>
Resistance Main	<b>3.89 Ohms</b>	Mounting	<b>Rigid Base</b>
Motor Orientation	<b>Horizontal</b>	Drive End Bearing	<b>Ball</b>
Opp Drive End Bearing	<b>Ball</b>	Frame Material	<b>Rolled Steel</b>
Shaft Type	<b>T</b>	Overall Length	<b>13.19 in</b>
Frame Length	<b>9.00 in</b>	Shaft Diameter	<b>1.125 in</b>
Shaft Extension	<b>2.75 in</b>	Assembly/Box Mounting	<b>F1/F2 CAPABLE</b>
Outline Drawing	<b>035468-900</b>	Connection Drawing	<b>005020.02</b>

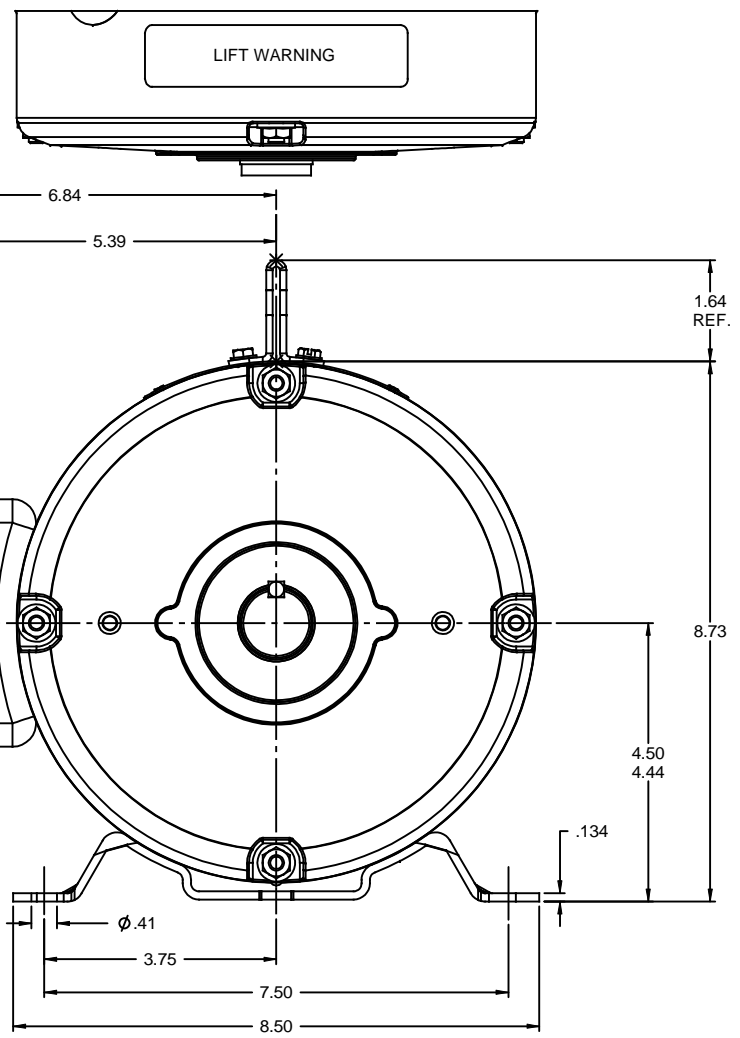
RBC PROPRIETARY AND CONFIDENTIAL INFORMATION  
 This document is the property of REGAL BELOIT CORPORATION ("RBC") including its subsidiaries and divisions and contains proprietary information of RBC. This document is loaned on the express condition that neither it nor the information contained therein shall be disclosed to others without the express written consent of RBC, and that the information shall be used by the recipient only as approved expressly by RBC. This document shall be returned to RBC upon its request. This document may be subject to certain restrictions under U.S. export control laws and regulations.



25 SQ. X 1.75 KEY

AUTOMATIC PROTECTOR  
 DECAL-CONNECTION UNDER COVER WHEN REQ'D.

GASKETS THROUGHOUT



DASH NO.	"C"	"AD"
850	12.69	3.88
900	13.19	4.38
950	13.69	4.88
1000	14.19	5.38
1050	14.69	5.88
1100	15.19	6.38
1150	15.69	6.88

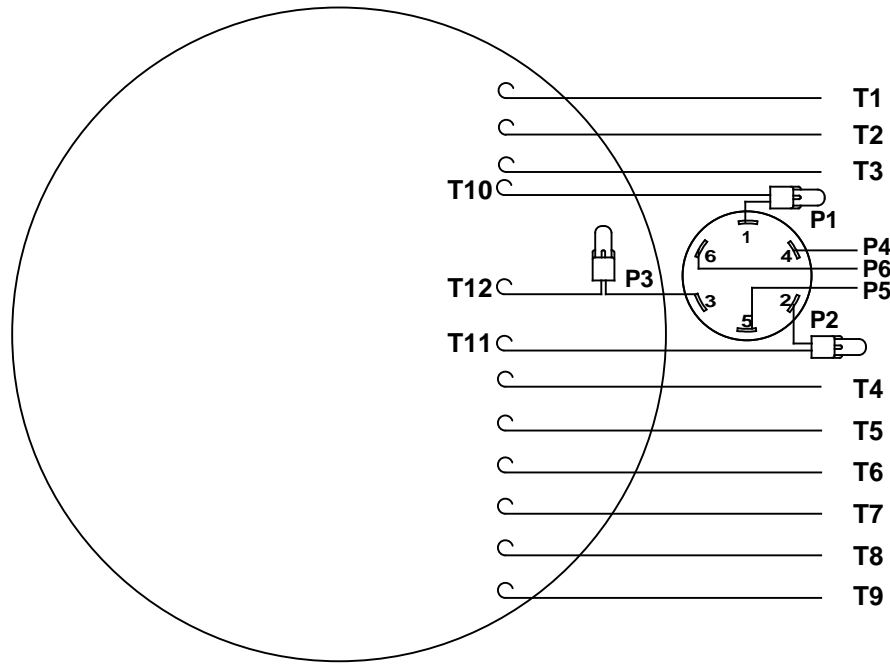
REVISION		BY & DATE	CHK	ANG	FINISH	PAGE	OF
- UPDATED & REDRAWN IN SOLIDWORKS		LST 12/23/2009	XX	XXX	±.0005	1	2
NO			RFP	±1/2"	PREV		
THIRD ANGLE PROJECTION							
						SIZE	DRAWING NO
						B	035468
							REV
							-



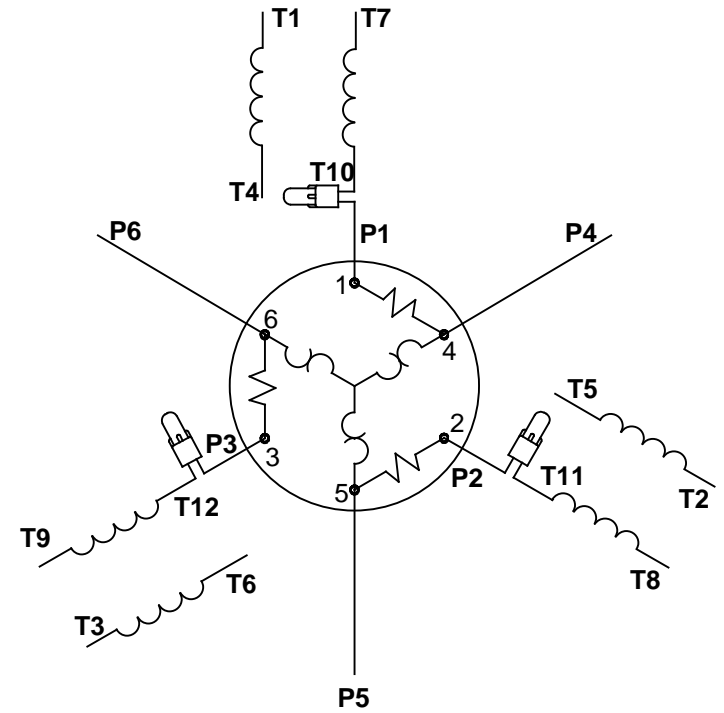
TOLERANCES UNLESS SPECIFIED:  
 DEC INCHES  
 X ±.1  
 .XX ±.03  
 .XXX ±.005  
 .XXXX ±.0005  
 TITLE OUTLINE - 180T FRAME  
 DRIP PROOF - RIGID  
 MATL GENERAL PURPOSE

DRAWN RDW 2/28/03  
 CHK  
 APPR SW 2/28/03  
 SCALE 1:2  
 REF 035464  
 FMF

VIEW FROM OUTSIDE OF MOTOR AT SWITCH END.



LINE LEADS



RBC PROPRIETARY AND CONFIDENTIAL INFORMATION  
 This document is the property of REGAL BELOIT CORPORATION ("RBC") including its subsidiaries and divisions and contains proprietary information of RBC. This document is loaned on the express condition that neither it nor the information contained therein shall be disclosed to others without the express written consent of RBC, and that the information shall be used by the recipient only as approved expressly by RBC. This document shall be returned to RBC upon its request. This document may be subject to certain restrictions under U.S. export control laws and regulations.

VOLTAGE	L1	L2	L3	JOIN	SEPARATE
HIGH	T1	T2	T3	(T4,T7) (T5,T8) (T6,T9)	(P4) (P5) (P6)
LOW	T1,T7	T2,T8	T3,T9	(T4,P4) (T5,P5) (T6,P6)	

				TOLERANCES UNLESS SPECIFIED		LEESON ELECTRIC MOTORS GEARMOTORS AND DRIVES		DRAWN VJB 02/18/11	
				DEC	INCHES			CHK	
				.X	±.1			APPR	
				.XX	±.01	TITLE EXTERNAL WIRING DIAGRAM		SCALE 1:1	
				.XXX	±.005	TYPE "T" W/PROTECTOR		REF	
02	ADDED REV TO AGREE WITH ORACLE	ARV 4/26/2011	KH	.XXXX	±.0005	MAT'L DECAL - 004023-01		FMF	
NO	REVISION	BY & DATE	CHK	ANG	±1/2°	FINISH		PAGE	OF
THIRD ANGLE PROJECTION				RFP	PREV	SIZE	DRAWING NO		REV
				NETWORK FILE NAME 00502002		A	005020-02		02

Data Sheet

Date: 1/31/2018

132234.00



Data @ 460 V

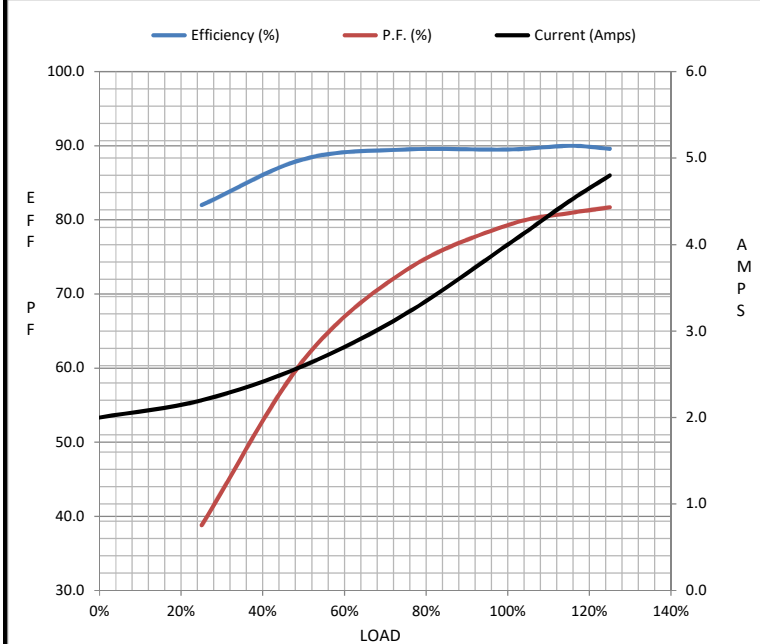
Motor Load Data

Load	0%	25%	50%	75%	100%	115%	125%	LR
Current (Amps)	2.00	2.20	2.60	3.2	4.0	4.5	4.8	34.2
Torque (ft-lb)	0.00	2.19	4.4	6.6	8.9	10.3	11.2	22.0
RPM	1800	1790	1779	1767	1760	1.752	1745	0
Efficiency (%)		82.0	88.2	89.5	89.5	90.0	89.6	
P.F. (%)	6.9	38.8	61.1	73.2	79.3	80.9	81.7	50.5

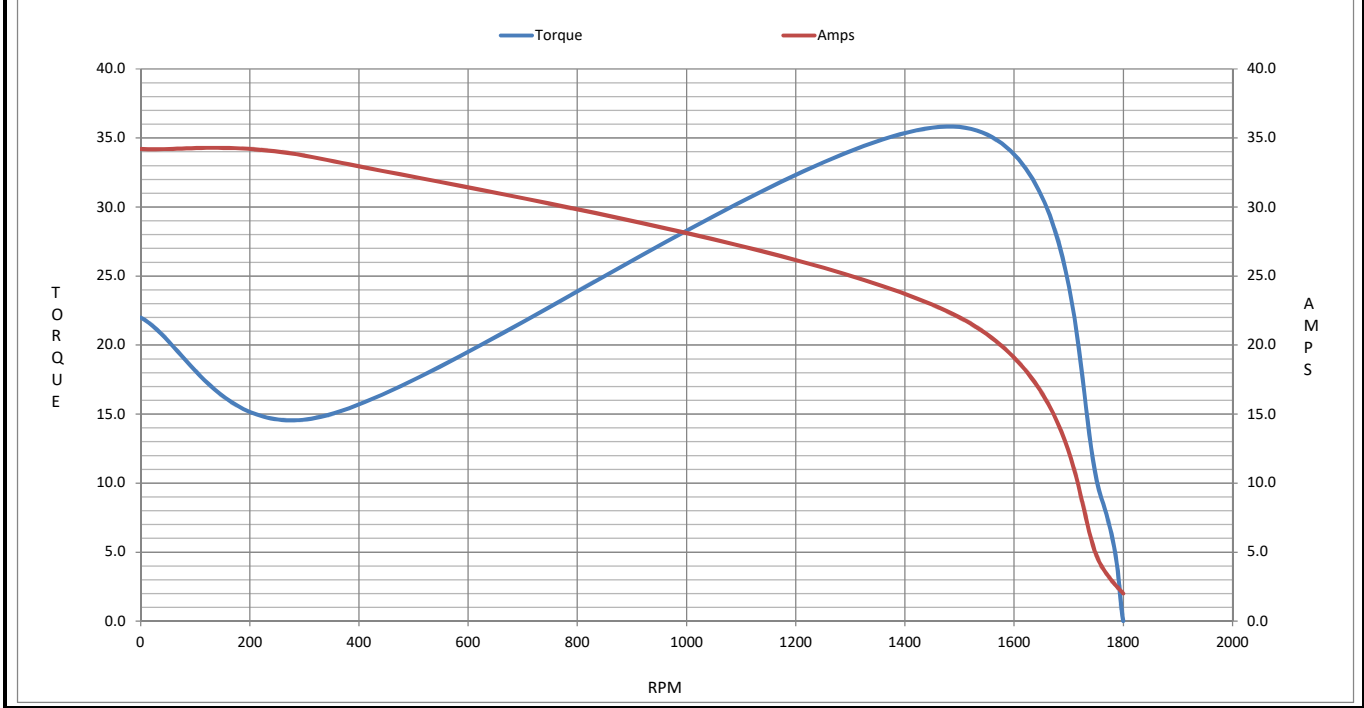
Motor Speed Data

	LR	Pull-Up	BD	Rated	Idle
Speed (RPM)	0	330	1500	1760	1800
Current (Amps)	34.2	33.5	22.0	4.0	2.00
Torque (ft-lb)	22.0	14.8	35.8	8.9	0.00

Information Block				
HP	3.0			
Sync. RPM	1800			
Frame	182			
Enclosure	DP			
Construction	TDW			
Voltage	230/460#190/380 V			
Frequency	60 Hz			
Design	B			
LR Code letter	K			
Service Factor	1.15			
Temp Rise @ FL	31 °C			
Duty	CONT			
Ambient	40 °C			
Elevation	1,000 feet			
Rotor/Shaft wk <sup>2</sup>	0.36 Lb-Ft <sup>2</sup>			
Ref Wdg	T84173 DR			
Sound Pressure @ 1M	51 dBA			
VFD Rating	NONE			
Outline Dwg	035468-900			
Conn. Diag	005020.02			
Additional Specifications:				
0				
0				
EQUIV CKT (OHMS / PHASE)				
R1	R2	X1	X2	Xm
0.0000	0.0000	0.0000	0.0000	0.0000



Speed - Torque Curve



## EC Declaration of Conformity

The undersigned representing  
the manufacturer:

Regal Beloit America  
100 East Randolph St.  
Wausau, WI 54401

and the authorized representative  
established within the Community:

Marathon Electric UK  
6F Thistleton Road Ind. Estate  
Market Overton  
Oakham, Rutland LE15 7PP UK

are committed to providing customers with products that comply with applicable regulations and international protocols to which they are subject, including the requirements of the European Parliament Directive on the Harmonization of the laws relating to electrical equipment designed for use within certain voltage limits (2014/35/EU).

Regal Beloit America declares that the following product(s), to which this declaration relates, are in conformity with the relevant sections of the EC standards listed below.

This statement supersedes any statements previously issued pertaining to the product(s) listed below and is subject to change without notice.

Model No : 132234.00

(Model No. may contain prefix and/or suffix characters)

Catalog No : 132234.00

Rework No : N/A

Directives :

Low Voltage Directive 2014/35/EU

Harmonized Standards Used :

EN 60034-1: 2010 (IEC 60034-1: 2010)

EN 60034-5: 2001/A1:2007 (IEC 60034-5: 2000/A1:2006)

Authorized Representative:



Michael A. Logsdon  
Vice President, Technology

Authorized Representative in the Community:



Julian Clark  
Marketing Engineer

Created on 09/01/2022

**CE 22**