

# PRODUCT INFORMATION PACKET



Model No: 132207.00

Catalog No: 132207.00

Premium Duck™ General Purpose Motor, 5 & 5 HP, 3 Ph, 60 & 50 Hz, 230/460 & 190/380 V,  
3600 & 3000 RPM, 184TC Frame, TEFC



Regal and Leeson are trademarks of Regal Rexnord Corporation or one of its affiliated companies.

©2023 Regal Rexnord Corporation, All Rights Reserved. MC017097E





### Nameplate Specifications

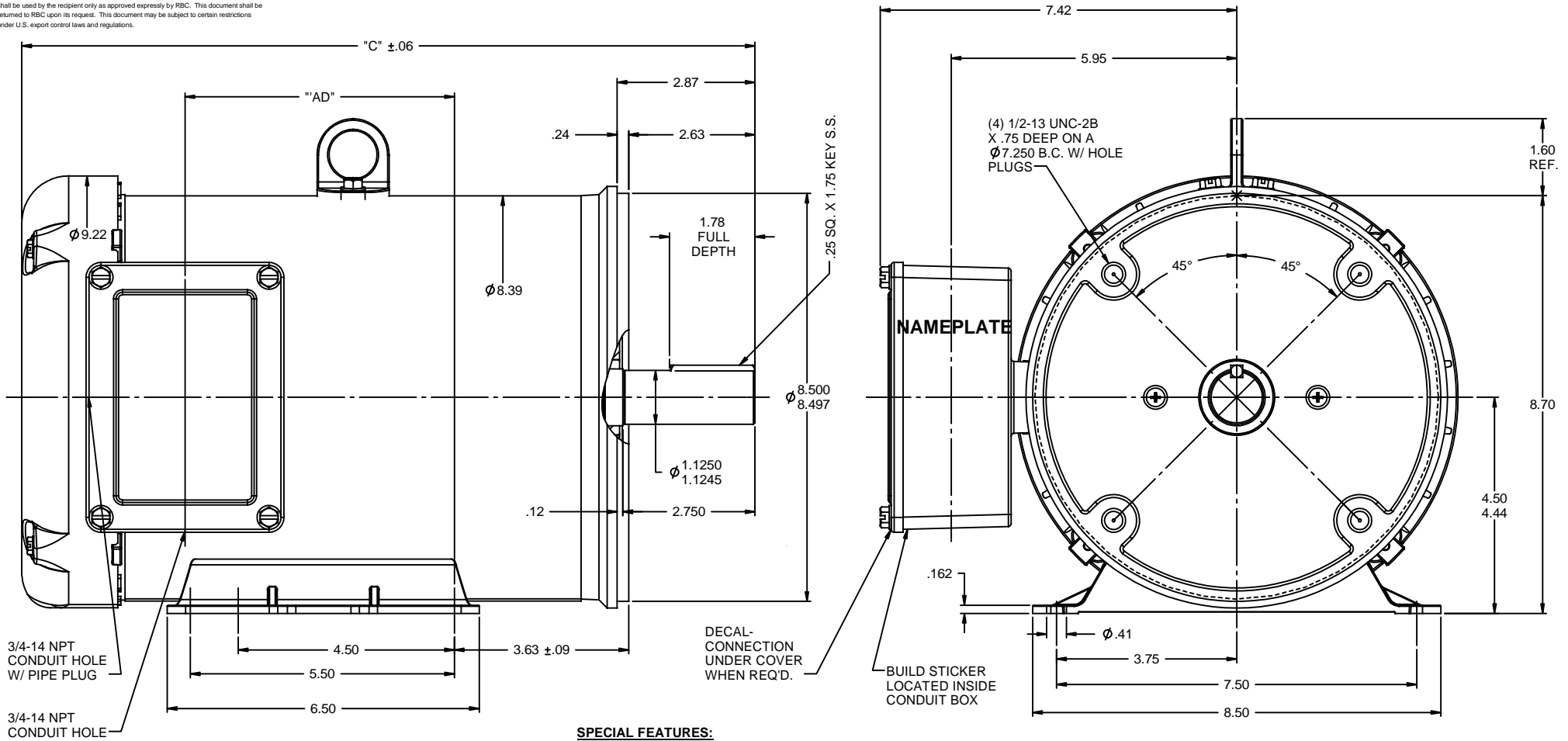
Phase	<b>3</b>	Output HP	<b>5 &amp; 5 Hp</b>
Output KW	<b>3.7 &amp; 3.7 kW</b>	Voltage	<b>230/460 &amp; 190/380 V</b>
Speed	<b>3515 &amp; 2910 rpm</b>	Service Factor	<b>1.25 &amp; 1.25</b>
Frame	<b>184TC</b>	Enclosure	<b>Totally Enclosed Fan Cooled</b>
Thermal Protection	<b>No Protection</b>	Efficiency	<b>88.5 &amp; 88.5 %</b>
Ambient Temperature	<b>40 °C</b>	Frequency	<b>60 &amp; 50 Hz</b>
Current	<b>12/6 &amp; 14/7 A</b>	Power Factor	<b>89</b>
Duty	<b>Continuous</b>	Insulation Class	<b>F</b>
Design Code	<b>B</b>	KVA Code	<b>K</b>
Drive End Bearing Size	<b>6207</b>	Opp Drive End Bearing Size	<b>6207</b>
UL	<b>Recognized</b>	CSA	<b>Y</b>
CE	<b>Y</b>	IP Code	<b>56</b>
Number of Speeds	<b>1</b>		

### Technical Specifications

Electrical Type	<b>Squirrel Cage Inverter Rated</b>	Starting Method	<b>Line Or Inverter</b>
Poles	<b>2</b>	Rotation	<b>Reversible</b>
Resistance Main	<b>2.32 Ohms</b>	Mounting	<b>Rigid Base</b>
Motor Orientation	<b>Horizontal</b>	Drive End Bearing	<b>Ball</b>
Opp Drive End Bearing	<b>Ball</b>	Frame Material	<b>Stainless Steel</b>
Shaft Type	<b>T</b>	Overall Length	<b>15.27 in</b>
Frame Length	<b>9.50 in</b>	Shaft Diameter	<b>1.125 in</b>
Shaft Extension	<b>2.75 in</b>	Assembly/Box Mounting	<b>F1 ONLY</b>
Inverter Load	<b>VARIABLE 10:1</b>		
Connection Drawing	<b>005010.01</b>	Outline Drawing	<b>035437-950</b>



RBC PROPRIETARY AND CONFIDENTIAL INFORMATION  
 This document is the property of REGAL BELOIT CORPORATION ("RBC") including its subsidiaries and divisions and contains proprietary information of RBC. This document is loaned on the express condition that neither it nor the information contained therein shall be disclosed to others without the express written consent of RBC, and that the information shall be used by the recipient only as approved expressly by RBC. This document shall be returned to RBC upon its request. This document may be subject to certain restrictions under U.S. export control laws and regulations.



3/4-14 NPT CONDUIT HOLE W/ PIPE PLUG  
 3/4-14 NPT CONDUIT HOLE

DECAL-CONNECTION UNDER COVER WHEN REQ'D.

BUILD STICKER LOCATED INSIDE CONDUIT BOX

**SPECIAL FEATURES:**  
 DOUBLE LIP OIL SEAL BOTH ENDS  
 GASKETS THROUGHOUT  
 O-RING SEALED ENDBELLS & THRU BOLTS  
 LOCKED BEARING W/ SEALED LOCK SCREWS

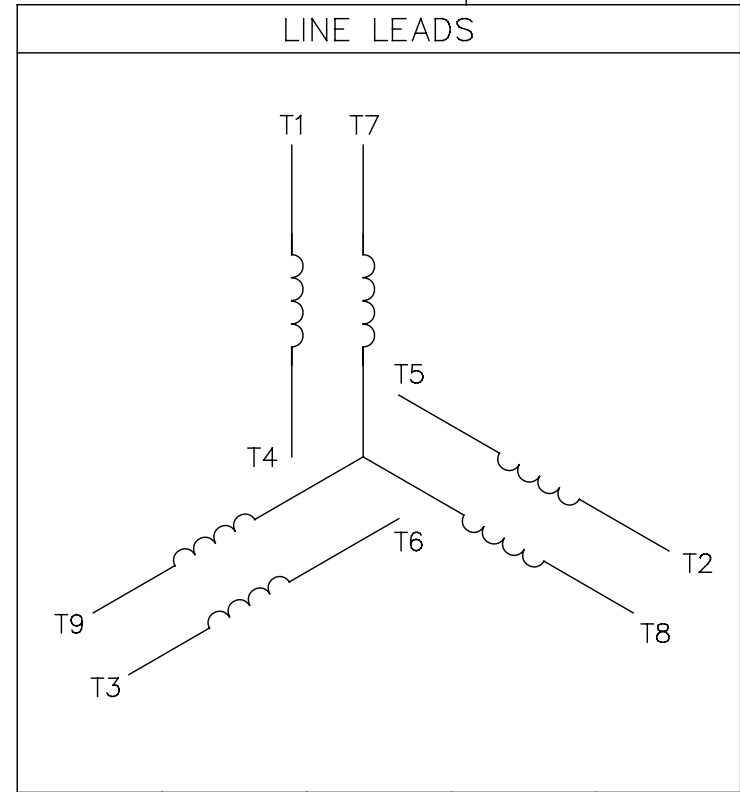
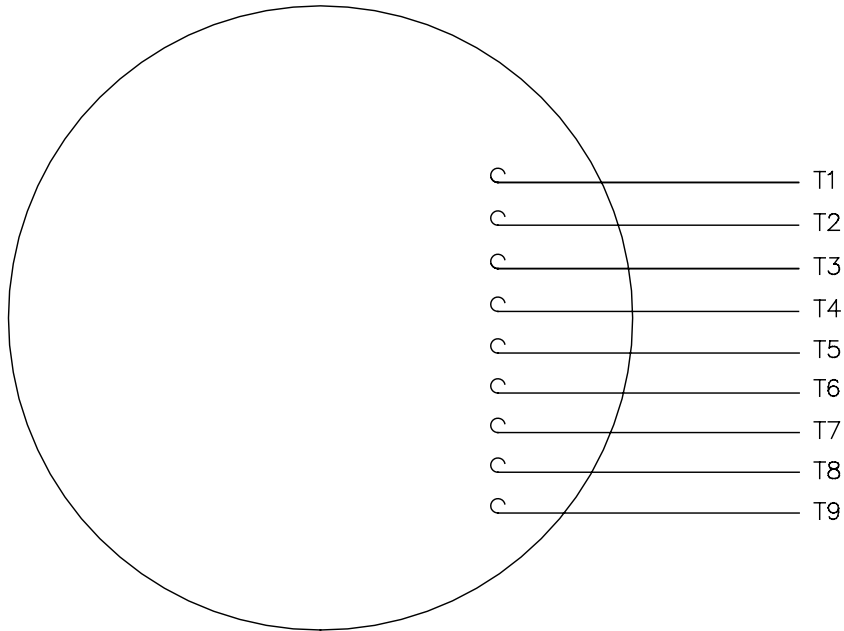
MAXIMUM FACE RUNOUT TO BE .004 T.I.R.  
 MAXIMUM PILOT ECCENTRICITY TO BE .004 T.I.R.  
 PERMISSIBLE SHAFT RUNOUT TO BE .002 T.I.R.

DASH NO.	"C"	"AD"
850	14.27	4.61
900	14.77	5.11
950	15.27	5.61
1000	15.77	6.11

REVISION		BY & DATE	CHK	ANG	FINISH	REV	PREV	SIZE	DRAWING NO	REV
02	ADDED DASH NO. 1000 (132208.00)	PG 9/21/2010	XX	±.03	TITLE OUTLINE - 180TC FRAME					
01	ADDED NOTE FOR BUILD STICKER LOC. PER ISAAC 10-1677	PG 5/4/2010	XXX	±.005	TEFC - RIGID "C"					
-	UPDATED & REDRAWN TO SOLIDWORKS	LST 12/11/2009	XXXX	±.0005	MATL STAINLESS STEEL DUCK					
TOLERANCES UNLESS SPECIFIED:						DRAWN JJK 4/4/02				
DEC INCHES						REGAL BELOIT CORPORATION		CHK		
X ±.1						APPR				
SCALE 1:2						REF OLG131167				
PAGE OF						FMF G131901.00				
THIRD ANGLE PROJECTION						NETWORK FILE NAME 035437		B 035437 02		

005010-01

VIEW FROM OUTSIDE OF MOTOR AT SWITCH END.



VOLTAGE	L1	L2	L3	JOIN & INSULATE
HIGH	T1	T2	T3	(T4,T7) (T5,T8) (T6,T9)
LOW	T1,T7	T2,T8	T3,T9	T4,T5,T6

				TOLERANCES UNLESS SPECIFIED		<b>Regal Beloit America, Inc.</b>		DRAWN RDW 04/12/02				
				DEC.	INCHES			CHK				
				.X	±.1			APPD				
				.XX	±.01			SCALE 1=1				
				.XXX	±.005	TITLE		REF FIG.2-51				
A	UPDATED TO REGAL LOGO			SAJ	06/26/15	AJY	.XXXX	±.0005	MAT'L.	DECAL - 004014	FMF	
NO.	REVISION			BY & DATE	CHK	ANG	±1/2"	FINISH			PREV	
THIS DRAWING IN DESIGN AND DETAIL IS OUR PROPERTY AND MUST NOT BE USED EXCEPT IN CONNECTION WITH OUR WORK ALL RIGHTS OF DESIGN AND INVENTION ARE RESERVED THIS IS AN ELECTRONICALLY GENERATED DOCUMENT - DO NOT SCALE THIS PRINT				RFP	04/12/02		CAD FILE	00501001		SIZE	DRAWING NO.	
				DIST	BRF-NLV				A	005010-01		REV.

Data Sheet

Date: 1/31/2018

132207.00



Data @ 460 V

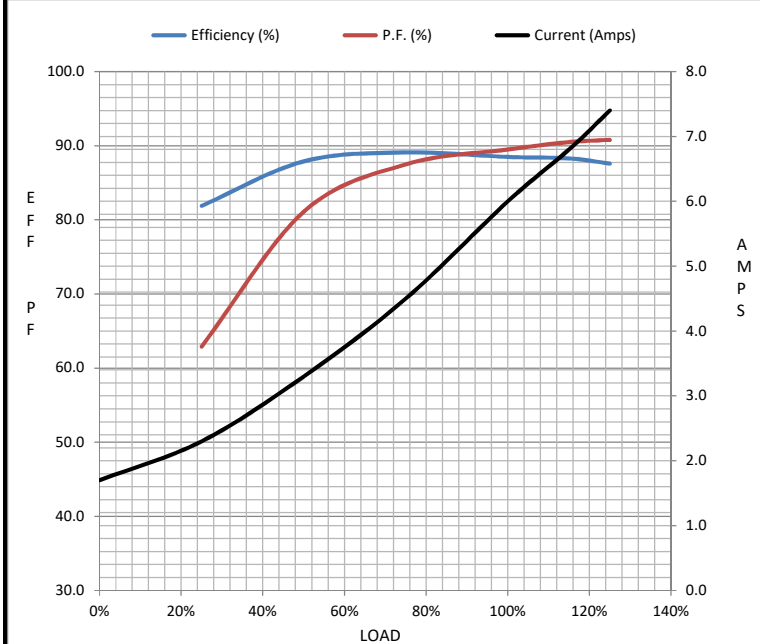
Motor Load Data

Load	0%	25%	50%	75%	100%	115%	125%	LR
Current (Amps)	1.70	2.30	3.3	4.5	6.0	6.8	7.4	47.0
Torque (ft-lb)	0.00	1.80	3.7	5.6	7.5	8.7	9.5	16.0
RPM	3600	3576	3551	3526	3495	3477	3463	0
Efficiency (%)		81.9	87.9	89.1	88.5	88.3	87.6	
P.F. (%)	14.8	62.9	81.1	87.5	89.5	90.5	90.8	0.0

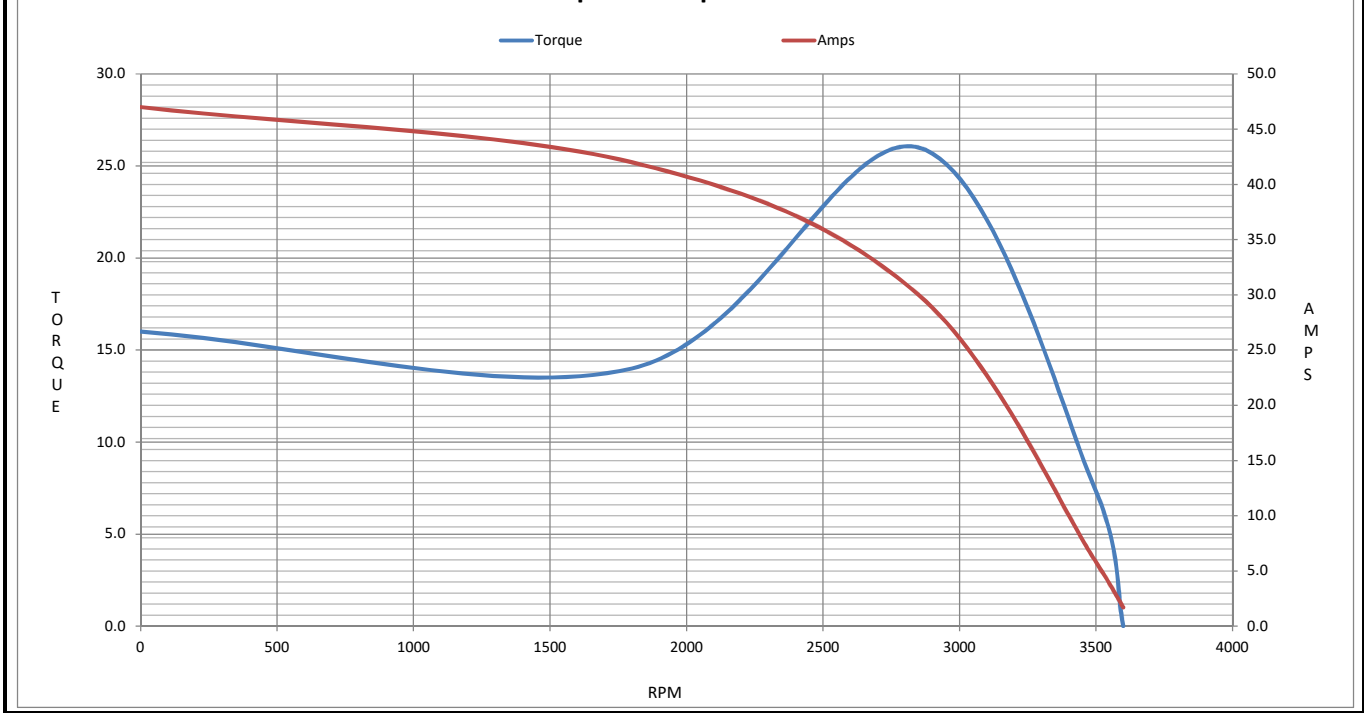
Motor Speed Data

	LR	Pull-Up	BD	Rated	Idle
Speed (RPM)	0	1800	2850	3495	3600
Current (Amps)	47.0	42.0	30.0	6.0	1.70
Torque (ft-lb)	16.0	14.0	26.0	7.5	0.00

Information Block				
HP	5.0			
Sync. RPM	3600			
Frame	180			
Enclosure	TEFC			
Construction	TFW			
Voltage	230/460#190/380 V			
Frequency	60 Hz			
Design	B			
LR Code letter	J			
Service Factor	1.15			
Temp Rise @ FL	55 °C			
Duty	CONT			
Ambient	40 °C			
Elevation	1,000 feet			
Rotor/Shaft wk <sup>2</sup>	0.00 Lb-Ft <sup>2</sup>			
Ref Wdg	T82103 FR			
Sound Pressure @ 1M	0 dBA			
VFD Rating	VARIABLE 10:1			
Outline Dwg	035437-950			
Conn. Diag	005010.01			
Additional Specifications:				
0				
0				
EQUIV CKT (OHMS / PHASE)				
R1	R2	X1	X2	Xm
0.0000	0.0000	0.0000	0.0000	0.0000



Speed - Torque Curve



## EC Declaration of Conformity

The undersigned representing  
the manufacturer:

Regal Beloit America  
100 East Randolph St.  
Wausau, WI 54401

and the authorized representative  
established within the Community:

Marathon Electric UK  
6F Thistleton Road Ind. Estate  
Market Overton  
Oakham, Rutland LE15 7PP UK

are committed to providing customers with products that comply with applicable regulations and international protocols to which they are subject, including the requirements of the European Parliament Directive on the Harmonization of the laws relating to electrical equipment designed for use within certain voltage limits (2014/35/EU).

Regal Beloit America declares that the following product(s), to which this declaration relates, are in conformity with the relevant sections of the EC standards listed below.

This statement supersedes any statements previously issued pertaining to the product(s) listed below and is subject to change without notice.

Model No : 132207.00

(Model No. may contain prefix and/or suffix characters)

Catalog No : 132207.00

Rework No : N/A

Directives :

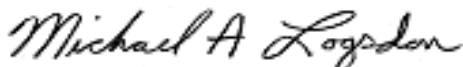
Low Voltage Directive 2014/35/EU

Harmonized Standards Used :

EN 60034-1: 2010 (IEC 60034-1: 2010)

EN 60034-5: 2001/A1:2007 (IEC 60034-5: 2000/A1:2006)

Authorized Representative:



Michael A. Logsdon  
Vice President, Technology

Authorized Representative in the Community:



Julian Clark  
Marketing Engineer

Created on 09/01/2022

**CE 22**