

PRODUCT INFORMATION PACKET



Model No: 132089.00

Catalog No: 132089.00

General Purpose Motor, 5 HP, 1 Ph, 60 Hz, 230 V, 1800 RPM, 184TY Frame, TEFC

Regal and Leeson are trademarks of Regal Rexnord Corporation or one of its affiliated companies.
©2023 Regal Rexnord Corporation, All Rights Reserved. MC017097E





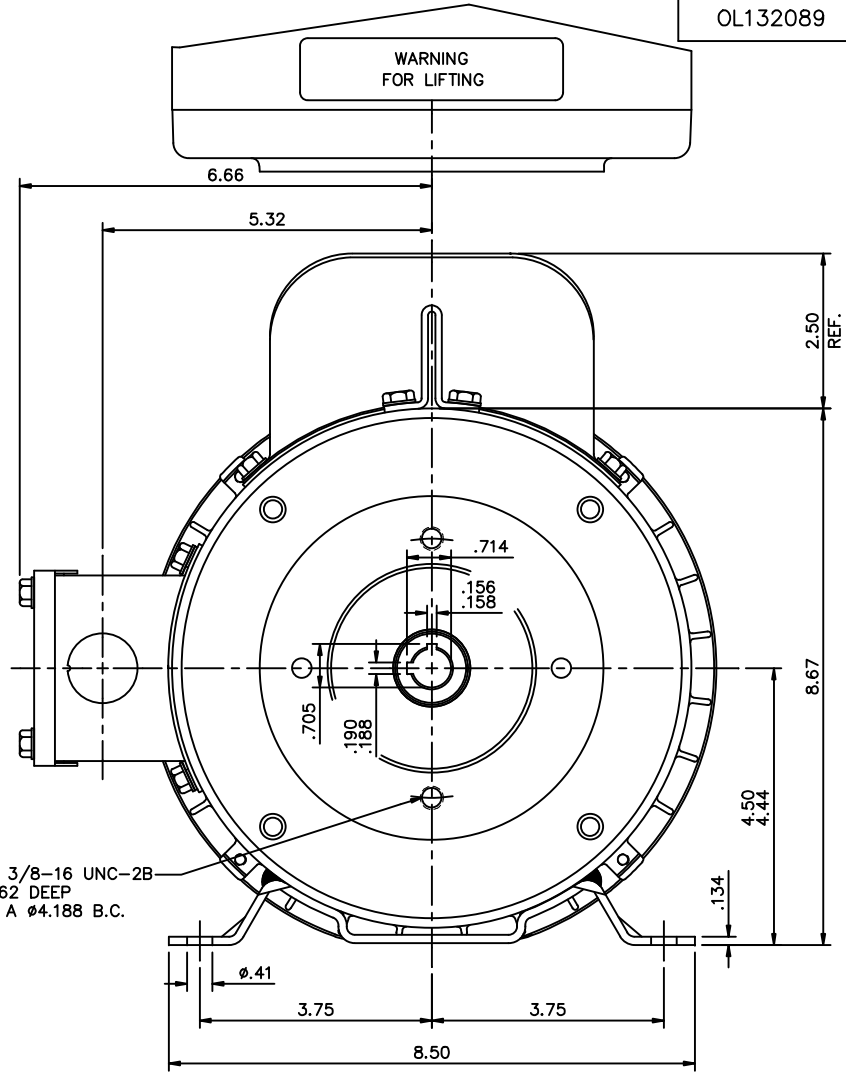
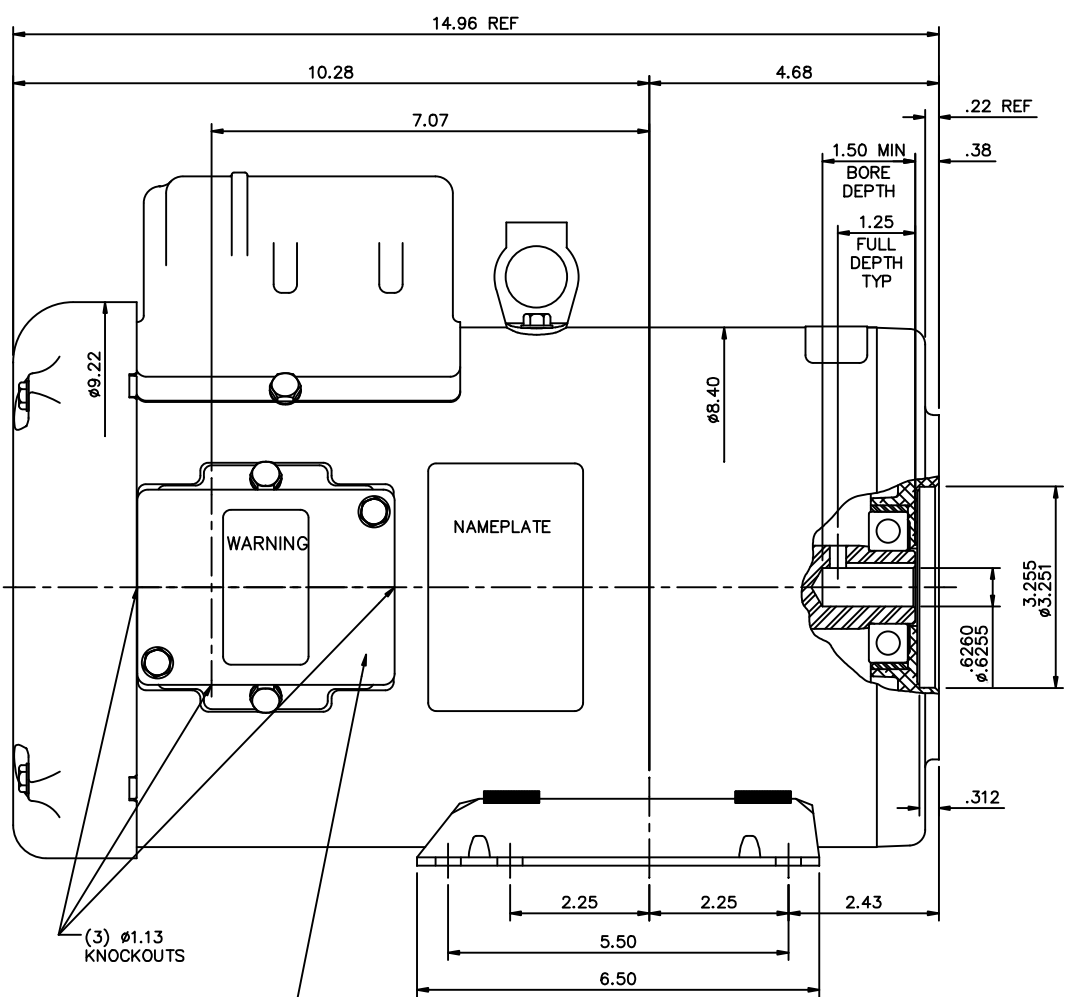
Nameplate Specifications

Output HP	5 Hp	Output KW	3.7 kW
Frequency	60 Hz	Voltage	230 V
Current	19.2 A	Speed	1740 rpm
Service Factor	1.15	Phase	1
Efficiency	85.5 %	Power Factor	98
Duty	Continuous	Insulation Class	F
Design Code	L	KVA Code	J
Frame	184TY	Enclosure	Totally Enclosed Fan Cooled
Thermal Protection	No Protection	Ambient Temperature	40 °C
Drive End Bearing Size	6206	Opp Drive End Bearing Size	6205
UL	Recognized	CSA	Y
CE	Y	IP Code	43
Number of Speeds	1		

Technical Specifications


Electrical Type	Capacitor Start Capacitor Run	Starting Method	Across The Line
Poles	4	Rotation	Selective Counterclockwise
Resistance Main	0 Ohms	Mounting	Rigid Base
Motor Orientation	Horizontal	Drive End Bearing	Ball
Opp Drive End Bearing	Ball	Frame Material	Rolled Steel
Shaft Type	T	Shaft Diameter	3.255 in
Assembly/Box Mounting	F1 ONLY		
Outline Drawing	OL132089	Connection Drawing	005413.01

This is an uncontrolled document once printed or downloaded and is subject to change without notice. Date Created:01/18/2023

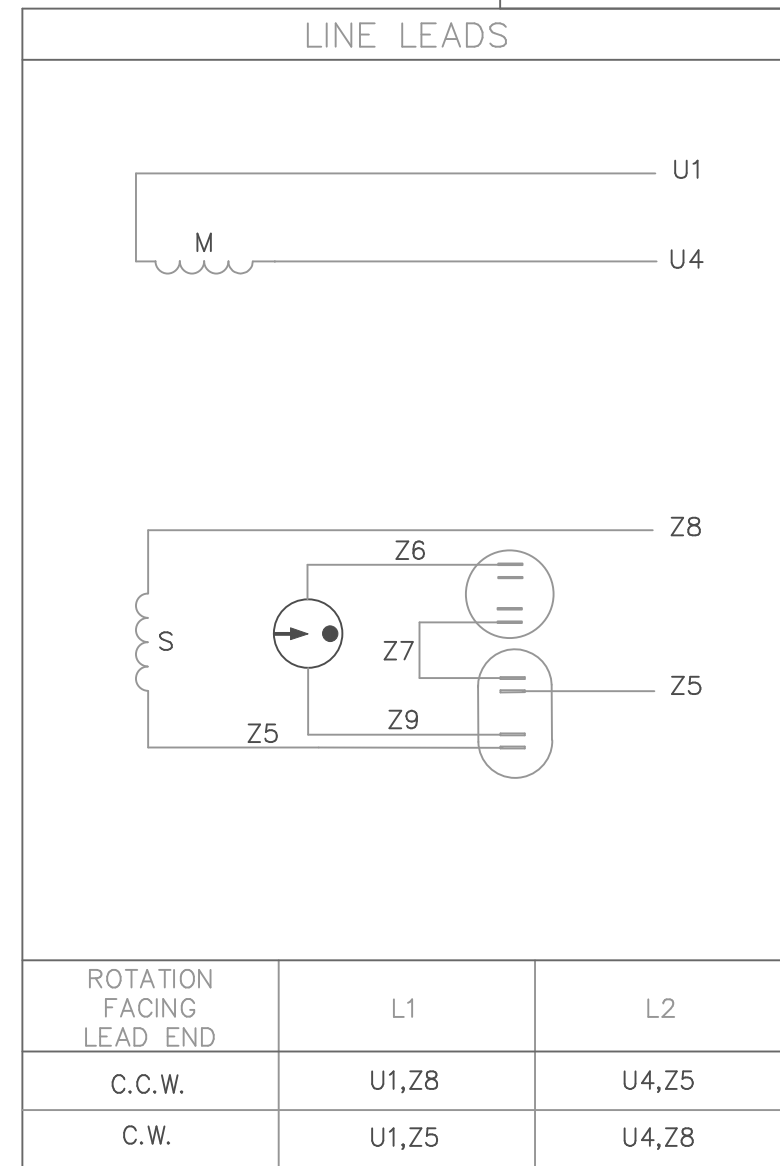
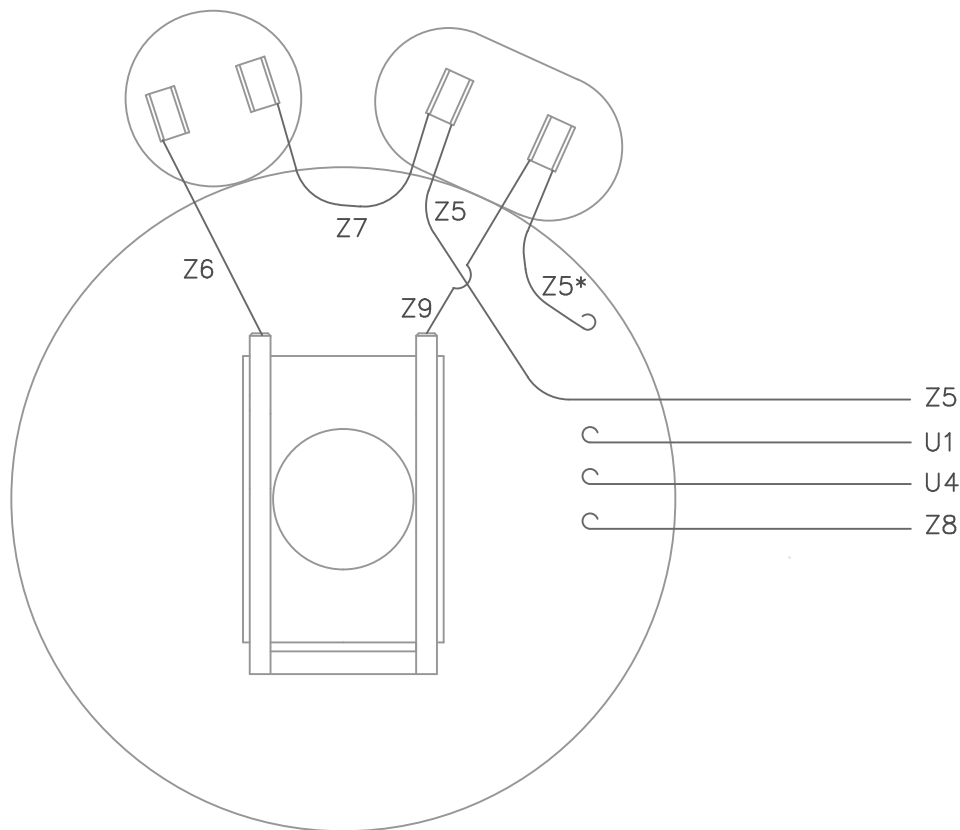


DECAL - CONNECTION UNDER COVER

GASKETS THROUGHOUT

				TOLERANCES UNLESS SPECIFIED		 ELECTRIC MOTORS GEARMOTORS AND DRIVES		DRAWN LST 10/19/05	
				DEC.	INCHES			CHK	APPD
03	ADDED CONNECTION DECAL NOTE PER ISAAC 10-1653	PG	5/3/2010	.XX	±.03	TITLE	OUTLINE- 184TY FRAME	SCALE	1=2
02	UPDATED PER MT2 CONVERSION	LST	1/20/10	.XXX	±.005		TEFC- PUMP	REF	PR050335
01	UPDATED S.E. ENDBELL TO DIE CAST ECO 06-4183	RDW	10/3/06	KH	±.0005	MAT'L		FMF	
NO.	REVISION	BY & DATE		CHK	ANG	±1/2'	FINISH	PREV	
THIS DRAWING IN DESIGN AND DETAIL IS OUR PROPERTY AND MUST NOT BE USED EXCEPT IN CONNECTION WITH OUR WORK ALL RIGHTS OF DESIGN AND INVENTION ARE RESERVED THIS IS AN ELECTRONICALLY GENERATED DOCUMENT - DO NOT SCALE THIS PRINT				RFP		CAD FILE	OL132089	SIZE	DRAWING NO.
				DIST				B	OL132089
									REV. 03

VIEW FROM OUTSIDE OF MOTOR AT SWITCH END.



* THIS LEAD MAY BE WHITE

				TOLERANCES UNLESS OTHERWISE SPECIFIED		LEESON ELECTRIC CORPORATION	
				DECIMALS			
				.00	± .01	DRAWN DBT 07/21/97	TITLE
				.000	± .005	CH'K'D.	EXTERNAL WIRING DIAGRAM
01	ADDED NOTE *	KA	03/24/2008	.0000	± .0005	APPR.	TYPE "K" W/O PROTECTOR
NO.	REVISION	BY	DATE	FRACTIONS	± 1/64	SCALE 1=1	MAT'L. DECAL - 80670
THIS DRAWING IN DESIGN AND DETAIL IS OUR PROPERTY AND MUST NOT BE USED EXCEPT IN CONNECTION WITH OUR WORK ALL RIGHTS OF DESIGN AND INVENTION ARE RESERVED				ANGLES	± 1/2"	REF. 005018-01	FINISH I.E.C.
				INCH/MM		FMF	MARKINGS

EC Declaration of Conformity

The undersigned representing
the manufacturer:

Regal Beloit America
100 East Randolph St.
Wausau, WI 54401

and the authorized representative
established within the Community:

Marathon Electric UK
6F Thistleton Road Ind. Estate
Market Overton
Oakham, Rutland LE15 7PP UK

are committed to providing customers with products that comply with applicable regulations and international protocols to which they are subject, including the requirements of the European Parliament Directive on the Harmonization of the laws relating to electrical equipment designed for use within certain voltage limits (2014/35/EU).

Regal Beloit America declares that the following product(s), to which this declaration relates, are in conformity with the relevant sections of the EC standards listed below.

This statement supersedes any statements previously issued pertaining to the product(s) listed below and is subject to change without notice.

Model No : 132089.00

(Model No. may contain prefix and/or suffix characters)

Catalog No : 132089.00

Rework No : N/A

Directives :

Low Voltage Directive 2014/35/EU

Harmonized Standards Used :

EN 60034-1: 2010 (IEC 60034-1: 2010)

EN 60034-5: 2001/A1:2007 (IEC 60034-5: 2000/A1:2006)

Authorized Representative:



Michael A. Logsdon
Vice President, Technology

Authorized Representative in the Community:



Julian Clark
Marketing Engineer

Created on 09/01/2022

CE 22