

PRODUCT INFORMATION PACKET



Model No: 132077.00

Catalog No: 132077.00

General Purpose Motor, 5 HP, 3 Ph, 60 Hz, 208-230/460 V, 1800 RPM, 184TZ Frame, TEFC

Regal and Leeson are trademarks of Regal Rexnord Corporation or one of its affiliated companies.
©2023 Regal Rexnord Corporation, All Rights Reserved. MC017097E





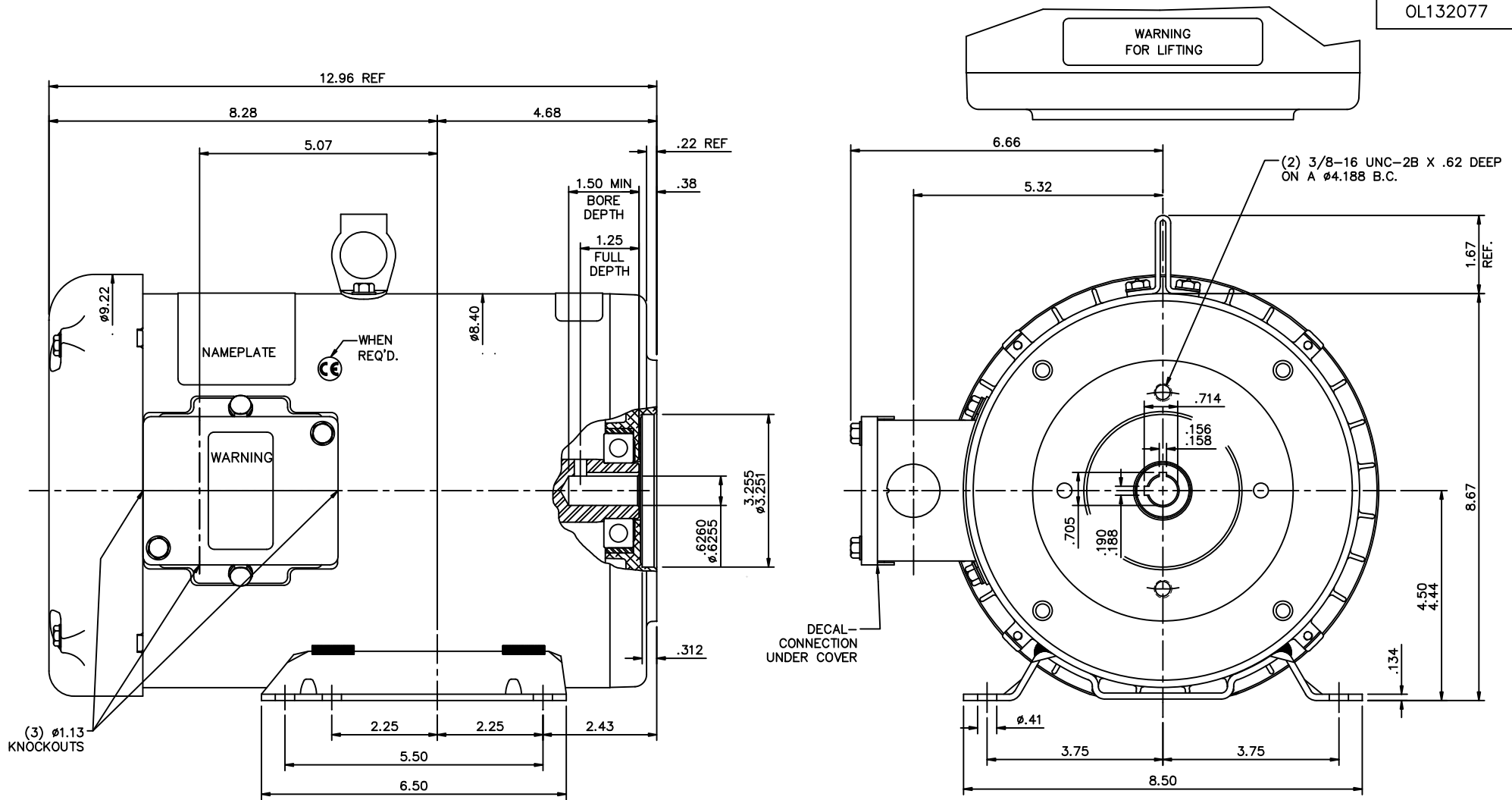
Nameplate Specifications

Output HP	5 Hp	Output KW	3.7 kW
Frequency	60 Hz	Voltage	208-230/460 V
Current	14.0-13.6/6.8 A	Speed	1750 rpm
Service Factor	1.15	Phase	3
Efficiency	87.5 %	Power Factor	78
Duty	30 Minute	Insulation Class	F
Design Code	B	KVA Code	L
Frame	184TZ	Enclosure	Totally Enclosed Fan Cooled
Thermal Protection	No Protection	Ambient Temperature	40 °C
Drive End Bearing Size	6206	Opp Drive End Bearing Size	6205
UL	Recognized	CSA	Y
CE	Y	IP Code	43
Number of Speeds	1		


Technical Specifications

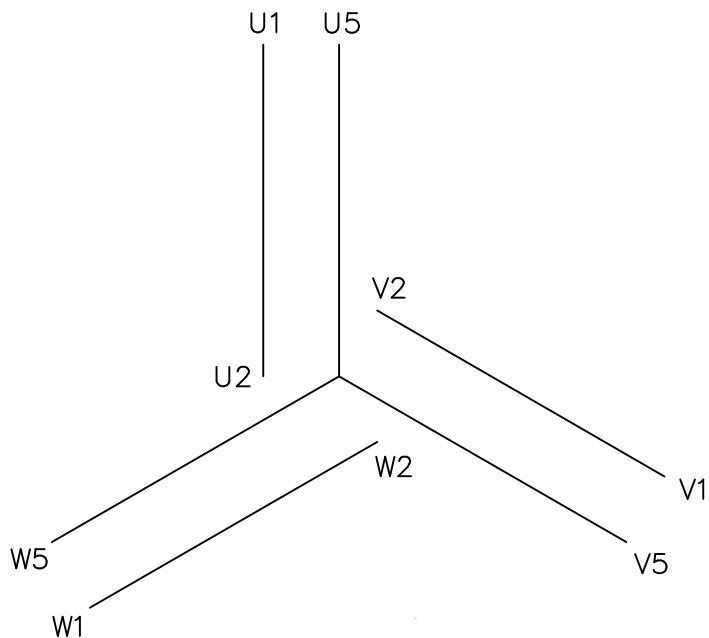
Electrical Type	Squirrel Cage Induction Run	Starting Method	Across The Line
Poles	4	Rotation	Reversible
Resistance Main	2.08 Ohms	Mounting	RIGID-DOWEL HOLES
Motor Orientation	Horizontal	Drive End Bearing	Ball
Opp Drive End Bearing	Ball	Frame Material	Rolled Steel
Shaft Type	Single Special Extension	Shaft Diameter	3.255 in
Assembly/Box Mounting	F1 ONLY		
Connection Drawing	005377.01	Outline Drawing	OL132077

This is an uncontrolled document once printed or downloaded and is subject to change without notice. Date Created:01/18/2023



GASKETS THROUGHOUT

				TOLERANCES UNLESS SPECIFIED		 ELECTRIC MOTORS GEARMOTORS AND DRIVES	DRAWN LST 9/9/05 CHK RW 9/9/05 APPD KH 9/9/05			
				DEC.	INCHES		SCALE 1=2 REF PR050158 FMF PREV			
02	UPDATED PER MT2 CONVERSION	ISAAC 10-0507	LST 2/2/10	.XX	\pm .03	TITLE OUTLINE - 184TY FRAME T.E.F.C. - PUMP				
01	UPDATED S.E. ENDBELL TO DIE CAST PER ECO 06-4182	RDW 10/4/06	KH	.XXX	\pm .005					
	EFF 10/20/06			.XXXX	\pm .0005					
NO.	REVISION	BY & DATE	CHK	ANG	\pm 1/2'	MAT'L	FINISH			
THIS DRAWING IN DESIGN AND DETAIL IS OUR PROPERTY AND MUST NOT BE USED EXCEPT IN CONNECTION WITH OUR WORK ALL RIGHTS OF DESIGN AND INVENTION ARE RESERVED THIS IS AN ELECTRONICALLY GENERATED DOCUMENT - DO NOT SCALE THIS PRINT				RFP		CAD FILE	OL132077	SIZE B	DRAWING NO. OL132077	REV. 02



Y CONNECTED, DUAL VOLTAGE

VOLTAGE	L1	L2	L3	JOIN
LOW	U1,U5	V1,V5	W1,W5	U2,V2,W2
HIGH	U1	V1	W1	(U2,U5) (V2,V5) (W2,W5)

REF. DECAL 080595

				TOLERANCES UNLESS OTHERWISE SPECIFIED		LEESON ELECTRIC CORPORATION			
				DECIMALS					
03	ADDED 168076.60 FOR 56 FRAME	LST	06/09/09	.00	± .01	DRAWN GWS 2/14/96	TITLE EXTERNAL WIRING DIAGRAM STANDARD 3 PHASE-DUAL VOLTAGE		
02	ADDED 168083.60 NOTE	LST	06/09/09	.000	± .005	CH'K'D.			
01		PFH	06/09/09	.0000	± .0005	APPR. PH 02/14/96	MAT'L. IEC MARKINGS		
NO.	REVISION	BY	DATE	FRACTIONS	± 1/64	SCALE 1=1			
THIS DRAWING IN DESIGN AND DETAIL IS OUR PROPERTY AND MUST NOT BE USED EXCEPT IN CONNECTION WITH OUR WORK ALL RIGHTS OF DESIGN AND INVENTION ARE RESERVED				ANGLES	± 1/2"	REF. 005010 PG 1	FINISH THERMOTRON	SIZE A	DRAWING NO. 005377-01
				INCH/MM		FMF 114675			

EC Declaration of Conformity

The undersigned representing
the manufacturer:

Regal Beloit America
100 East Randolph St.
Wausau, WI 54401

and the authorized representative
established within the Community:

Marathon Electric UK
6F Thistleton Road Ind. Estate
Market Overton
Oakham, Rutland LE15 7PP UK

are committed to providing customers with products that comply with applicable regulations and international protocols to which they are subject, including the requirements of the European Parliament Directive on the Harmonization of the laws relating to electrical equipment designed for use within certain voltage limits (2014/35/EU).

Regal Beloit America declares that the following product(s), to which this declaration relates, are in conformity with the relevant sections of the EC standards listed below.

This statement supersedes any statements previously issued pertaining to the product(s) listed below and is subject to change without notice.

Model No : 132077.00

(Model No. may contain prefix and/or suffix characters)

Catalog No : 132077.00

Rework No : N/A

Directives :

Low Voltage Directive 2014/35/EU

Harmonized Standards Used :

EN 60034-1: 2010 (IEC 60034-1: 2010)

EN 60034-5: 2001/A1:2007 (IEC 60034-5: 2000/A1:2006)

Authorized Representative:



Michael A. Logsdon
Vice President, Technology

Authorized Representative in the Community:



Julian Clark
Marketing Engineer

Created on 09/01/2022

CE 22