

PRODUCT INFORMATION PACKET



Model No: 131856.00
Catalog No: 131856.00
General Purpose Motor, 5 HP, 1 Ph, 60 Hz, 208-230 V, 1800 RPM, 184T Frame, TEFC



Regal and Leeson are trademarks of Regal Rexnord Corporation or one of its affiliated companies.
©2023 Regal Rexnord Corporation, All Rights Reserved. MC017097E



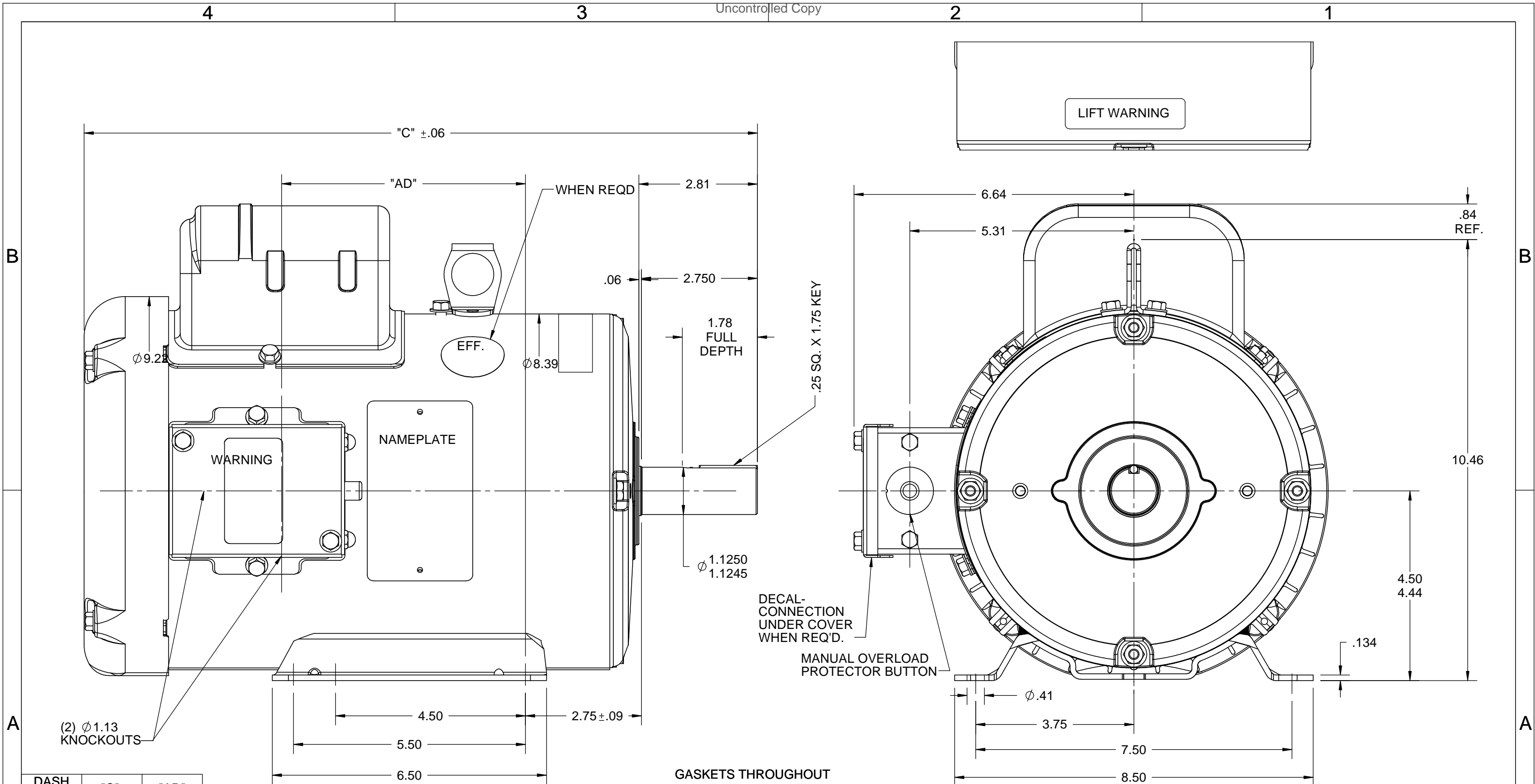


Nameplate Specifications

Output HP	5 Hp	Output KW	3.7 kW
Frequency	60 Hz	Voltage	208-230 V
Current	23.0-21.0 A	Speed	1740 rpm
Service Factor	1	Phase	1
Efficiency	83 %	Power Factor	94
Duty	Continuous	Insulation Class	F
Design Code	L	KVA Code	H
Frame	184T	Enclosure	Totally Enclosed Fan Cooled
Thermal Protection	Manual	Ambient Temperature	40 °C
Drive End Bearing Size	6206	Opp Drive End Bearing Size	6205
UL	Recognized	CSA	Y
CE	N	IP Code	43
Number of Speeds	1		

Technical Specifications

Electrical Type	Capacitor Start Capacitor Run	Starting Method	Across The Line
Poles	4	Rotation	Selective Counterclockwise
Resistance Main	.48 Ohms	Mounting	Rigid Base
Motor Orientation	Horizontal	Drive End Bearing	Ball
Opp Drive End Bearing	Ball	Frame Material	Rolled Steel
Shaft Type	T	Overall Length	15.96 in
Frame Length	10.50 in	Shaft Diameter	1.125 in
Shaft Extension	2.75 in	Assembly/Box Mounting	F1 ONLY
Connection Drawing	005056.03	Outline Drawing	035482-1050



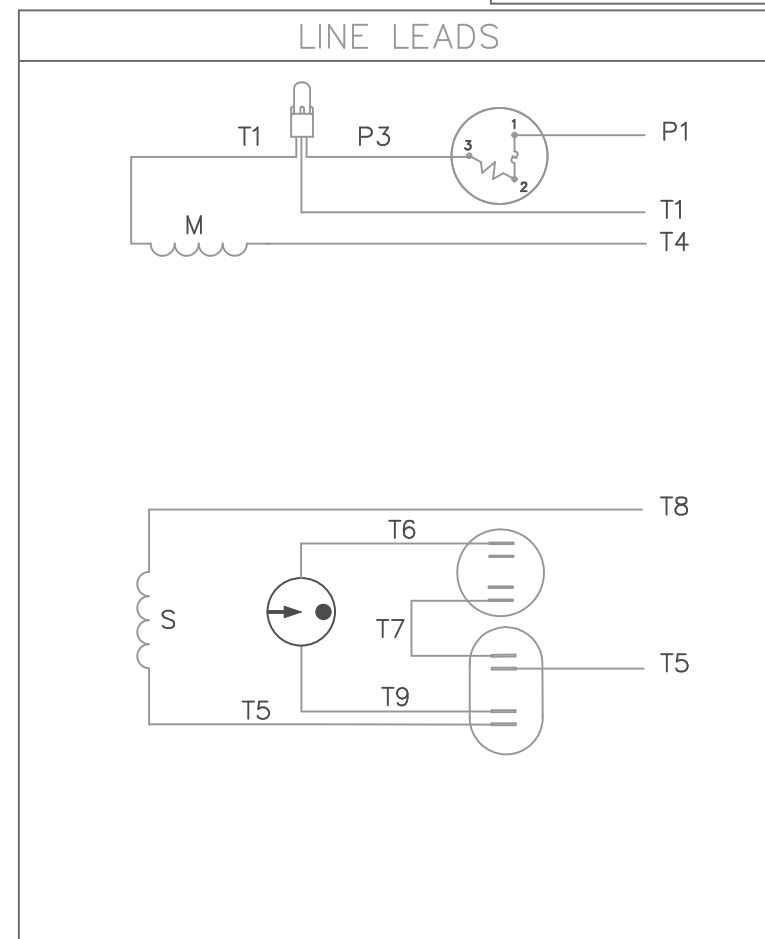
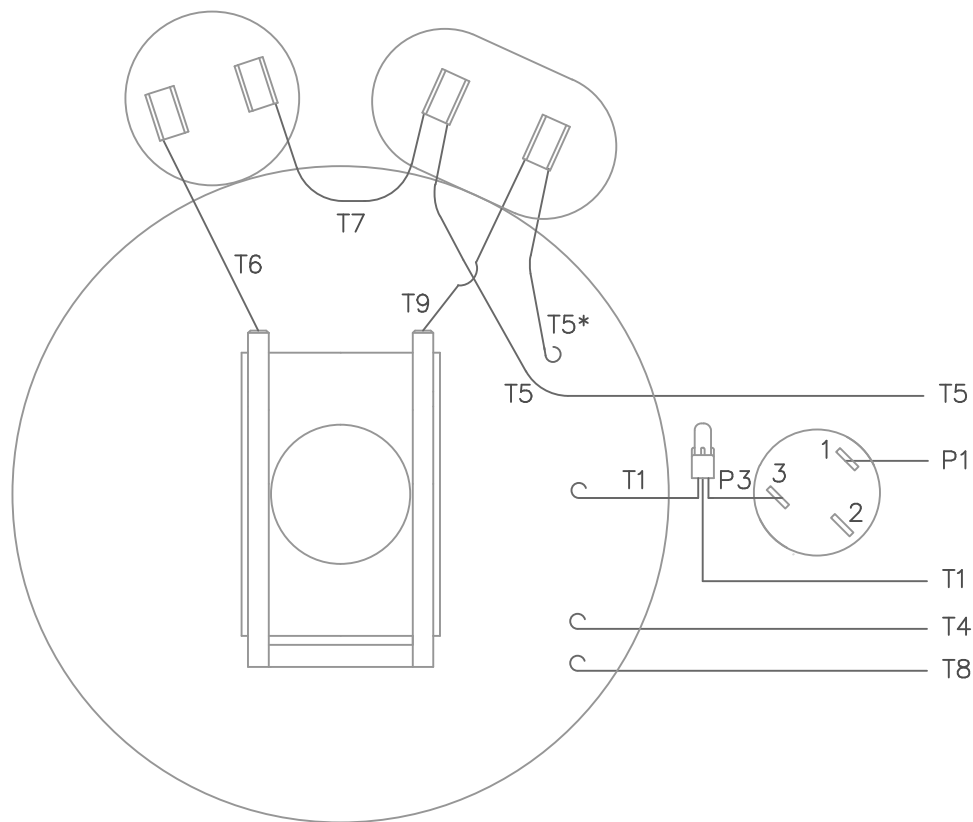
DASH NO.	"C"	"AD"
850	13.96	5.25
900	14.46	5.75
950	14.96	6.25
1000	15.46	6.75
1050	15.96	7.25
1100	16.46	7.75
1150	16.96	8.25
1200	17.46	8.75
1250	17.96	9.25

DRAWING REVISION D	REVISION BY MVG	DATE 06/15/2017
ECO ECO-0125433	APPROVED BY JD	DATE 06/15/2017
ECO DESCRIPTION ADDED ITEM # 1200 & 1250 COPYRIGHT REGAL BELOIT AMERICA, INC. ALL RIGHTS RESERVED. PROPRIETARY AND CONFIDENTIAL INFORMATION - THIS DOCUMENT IS THE PROPERTY OF REGAL BELOIT AMERICA, INC. ("OWNER") AND CONTAINS OWNER'S PROPRIETARY INFORMATION. ANY PERSON, CORPORATION OR OTHER FIRM RECEIVING IT IS DEEMED, BY RECEIVING IT, TO AGREE THAT IT, AND/OR ANY PART OF IT, SHALL NOT BE DISCLOSED TO ANY PERSON, CORPORATION OR OTHER ENTITY, DUPLICATED, AND/OR USED, EXCEPT AS EXPRESSLY APPROVED IN WRITING IN ADVANCE BY OWNER. THIS DOCUMENT SHALL BE RETURNED TO OWNER UPON REQUEST. IT MAY BE SUBJECT TO CERTAIN RESTRICTIONS UNDER APPLICABLE EXPORT CONTROL LAWS AND REGULATIONS.		

TOLERANCES UNLESS OTHERWISE SPECIFIED:			
DEC.	INCH	mm	ANGLE
.X	±0.1	[±2.5]	±0.5°
.XX	±0.01	[±0.25]	
.XXX	±0.005	[±0.127]	
.XXXX	±0.0005	[±0.0127]	
REMOVE BURRS & BREAK SHARP EDGES: .003/.015 [.076/.381] X 45° CORNER FILLETS: R.02 [.51] MACHINED SURFACES: 125 3.2 INCH mm			
mm SHOWN IN [BRACKETS]			


DRAWN BY LST	REGAL ™ Regal Beloit America, Inc.	
DATE 12/8/03	DESCRIPTION OUTLINE TEFC - RIGID MOUNT	
APPROVED BY KH	MATERIAL	PROCESS/FINISH
DATE 12/10/03	GENERAL PURPOSE	
REFERENCE PR030439	SIZE	DRAWING NUMBER
THIRD ANGLE PROJECTION	B	035482
		SHEET 1 OF 1

VIEW FROM OUTSIDE OF MOTOR AT SWITCH END.



ROTATION FACING LEAD END	L1	L2	JOIN
C.C.W.	P1	T4, T5	T1, T8
C.W.	P1	T4, T8	T1, T5

* THIS LEAD MAY BE WHITE

			TOLERANCES UNLESS SPECIFIED		 ELECTRIC MOTORS GEARMOTORS AND DRIVES	DRAWN WLW 08/30/76		
			DEC.	INCHES		CHK WRK 09/24/76		
			.X	±.1		APPD		
08	ALTERNATE T5 LEAD MARKING WAS RED	RLW 8/6/02	.XX	±.01	TITLE	SCALE 1=1		
07	ADDED ALTERNATE T5 LEAD MARKING	RLW 5/31/02	KH	±.005	EXTERNAL WIRING DIAGRAM TYPE "K" W/ PROTECTOR	REF		
06	REDRAWN TO CAD	DBT 5/31/02		±.0005	MAT'L. DECAL - 004015	FMF 6K17FB4		
NO.	REVISION	BY & DATE	CHK	ANG ±1/2'	FINISH	PREV		
THIS DRAWING IN DESIGN AND DETAIL IS OUR PROPERTY AND MUST NOT BE USED EXCEPT IN CONNECTION WITH OUR WORK ALL RIGHTS OF DESIGN AND INVENTION ARE RESERVED THIS IS AN ELECTRONICALLY GENERATED DOCUMENT - DO NOT SCALE THIS PRINT			RFP		CAD FILE 00505603	SIZE A	DRAWING NO. 005056-03	REV. 08
			DIST	BRF-NLV				



P.O. BOX 8003
 WAUSAU, WI 54401-8003
 PH. 715-675-3311

CERTIFICATION DATA SHEET

CUSTOMER: _____
 CONN. DIAGRAM: 005056.03 _____
 OUTLINE: 035482-1050 _____
 MOUNTING: F1 ONLY _____

MODEL #: 131856.00 _____
 WINDING #: K8450 _____
 R #: FR _____
 WDG GRP #: 0 _____
 SPEED #: 1 _____
 VOLTS: 230 _____

TYPICAL MOTOR PERFORMANCE DATA

HP	KW	SYNC RPM	FL RPM	FRAME	ENCLOSURE	TYPE	KVA CODE	DESIGN
5	3.7	1800	1740	184T	TEFC	KF	H	L

PH	HZ	VOLTS	AMPS	START TYPE	DUTY	INSL	S.F.	AMB	ELEV.
1	60	208-230	23-21	ACROSS THE LINE	CONTINUOUS	F4	1.0	40	3300

F.L. EFF	83.0	3/4 LD EFF	81.9	1/2 LD EFF	77.2	GTD EFF	ELECT. TYPE
F.L. PF	94.0	3/4 LD PF	93.5	1/2 LD PF	89.6	80.0	CAP START CAP RUN

F.L. TORQUE	LR AMPS @ 230V	L.R. TORQUE	B.D. TORQUE	F.L. RISE (° C)
15 LB-FT	138	41 LB-FT 274%	33 LB-FT 217%	95

SOUND PRESSURE @ 3 FT.	SOUND POWER	ROTOR WK ²	MAX. LOAD WK ²	SAFE STALL TIME	STARTS/HOUR	APROX. MOTOR WGT
- dBA	- dBA	.459 LB-FT ²	- LB-FT ²	- SEC.	-	85.0 LB.

***** SUPPLEMENTAL INFORMATION *****

DE BRACKET TYPE	ODE BRACKET TYPE	MOUNT TYPE	MOTOR ORIENTATION	SEVERE DUTY	HAZARDOUS LOCATION	DRIP COVER	SCREENS	PAINT
STANDARD	STANDARD	RIGID	HORIZONTAL	FALSE	NONE	FALSE	NONE	BLUE - LEESON (ENAMEL)

BEARINGS		GREASE	SHAFT TYPE	SPECIAL DE	SPECIAL ODE	SHAFT MATERIAL	FRAME MATERIAL
DE	ODE	POLYREX EM	T	NONE	NONE	AISI 1045 (C-240)	ROLLED STEEL
BALL	BALL						
6206	6205						

THERMOSTATS	PROTECTORS	WDG RTD's	BRG RTD's	THERMISTORS	CONTROL	SPACE HEATERS
NONE	MANUAL	NONE	NONE	NONE	FALSE	NONE

R1 (ohms/ph)	R2 (ohms/ph)	X1 (ohms/ph)	X2 (ohms/ph)	Xm (ohms/ph)	VIBRATION (in/sec)	FLOAT
-	-	-	-	-	NA	NA

* N O T E S *	INVERTER TORQUE: NONE	
	INV. HP SPEED RANGE: NONE	
	ENCODER: NONE	
	NONE	
	NONE NONE PPR	

PREPARED BY: _____	BRAKE: NONE NONE FT-LB: NONE VOLTAGE: NONE NONE HZ:
DATE: 1/5/2023	

FORM: 3531 REV_4 2/27/06

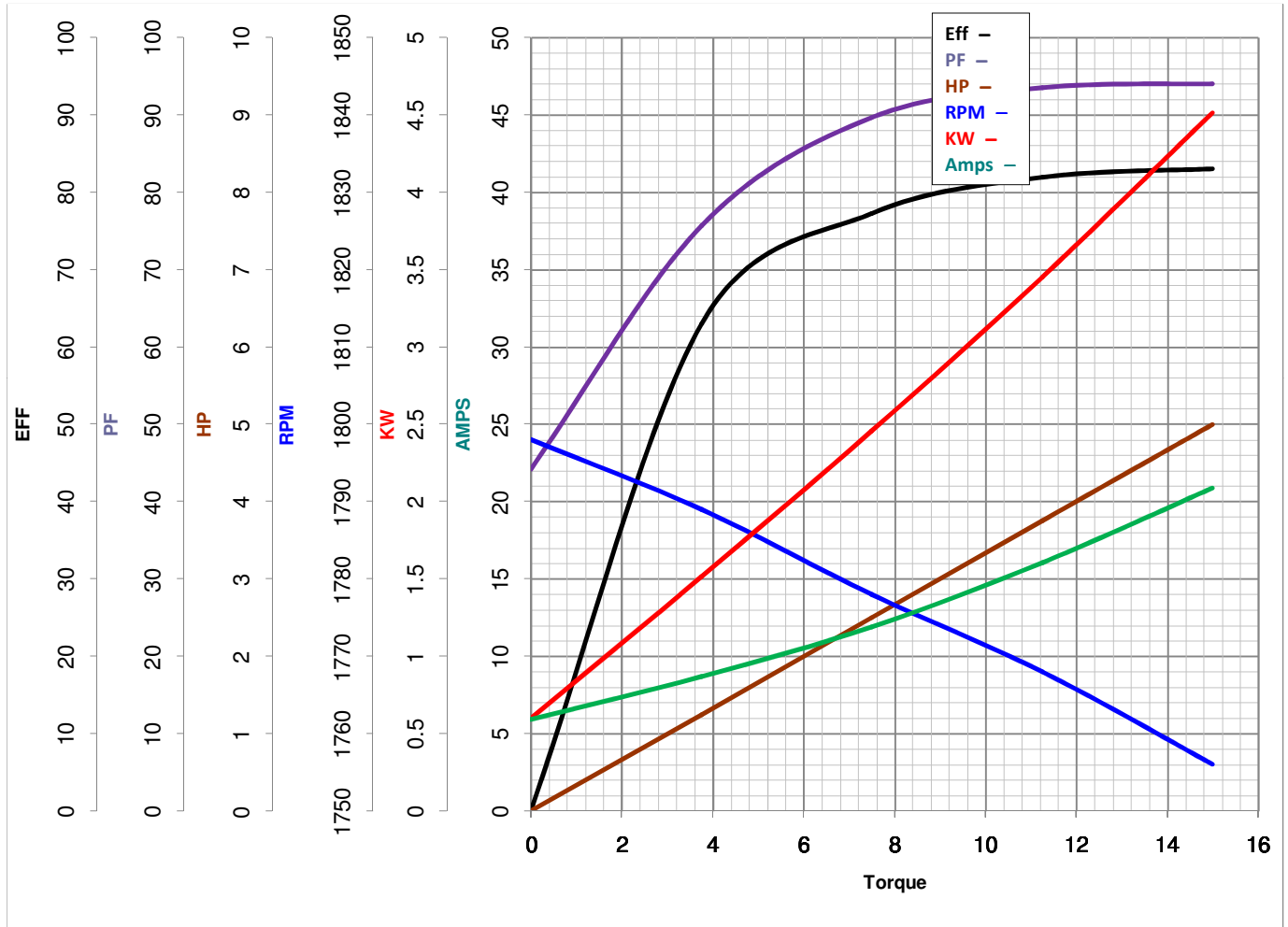


LEESON ELECTRIC CORPORATION
TYPICAL PERFORMANCE CURVE for AC MOTOR

Model No 131856.00

Catalog No 131856.00

Curve at 230 Volts 5.00 HP PHASE 1
60 HZ
5 HP VOLTS 208-230
 HZ 60 RPM 1740



Torque in Lb.Ft

FL TORQUE 15 Lb.Ft
 BD TORQUE 32.5 Lb.Ft
 LR TORQUE 41.1 Lb.Ft

FL AMPS 23-21
 PU TORQUE 28.9 Lb.Ft
 LR AMPS 138

WINDING K8450-2

Date 3/26/2018