

# PRODUCT INFORMATION PACKET



Model No: 131847.00

Catalog No: 131847.00

Crop Dryer Motor, 5 & 7 HP, 1 Ph, 60 & 60 Hz, 230 & 230 V, 3600 & 3600 RPM, 182TZ Frame, DPAO



Regal and Leeson are trademarks of Regal Rexnord Corporation or one of its affiliated companies.

©2023 Regal Rexnord Corporation, All Rights Reserved. MC017097E





### Nameplate Specifications

Phase	1	Output HP	5 & 7 Hp
Output KW	3.7 & 5.2 kW	Voltage	230 & 230 V
Speed	3450 & 3450 rpm	Service Factor	1.00 & 1.0
Frame	182TZ	Enclosure	Drip Proof Air Over
Thermal Protection	Thermostat	Efficiency	81 & 80 %
Ambient Temperature	40 °C	Frequency	60 & 60 Hz
Current	26.80 & 35.27 A	Power Factor	74.8
Duty	Continuous	Insulation Class	F
Design Code	NO DESIGN CODE	KVA Code	J
Drive End Bearing Size	6206	Opp Drive End Bearing Size	6205
UL	Recognized	CSA	Y
CE	N	IP Code	22
Number of Speeds	1		

### Technical Specifications

Electrical Type	Capacitor Start Induction Run	Starting Method	Across The Line
Poles	2	Rotation	Selective Counterclockwise
Resistance Main	.21 Ohms	Mounting	Rigid Base
Motor Orientation	Horizontal	Drive End Bearing	Ball
Opp Drive End Bearing	Ball	Frame Material	Rolled Steel
Shaft Type	Single Special Extension	Overall Length	16.44 in
Frame Length	11.50 in	Shaft Diameter	1.125 in
Shaft Extension	3.5 in	Assembly/Box Mounting	F3
Outline Drawing	035732-1150	Connection Drawing	005033.09

4

3

2

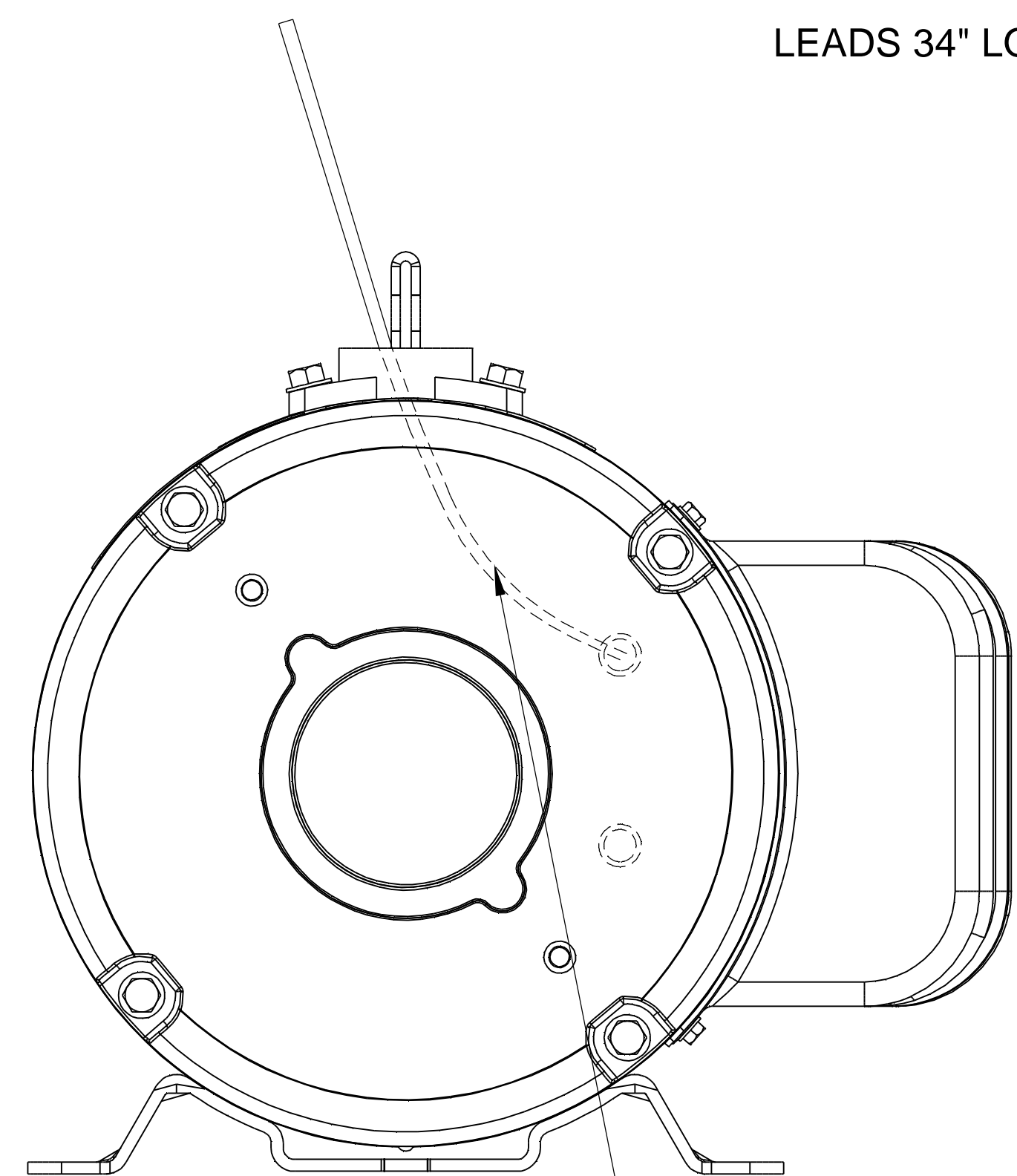
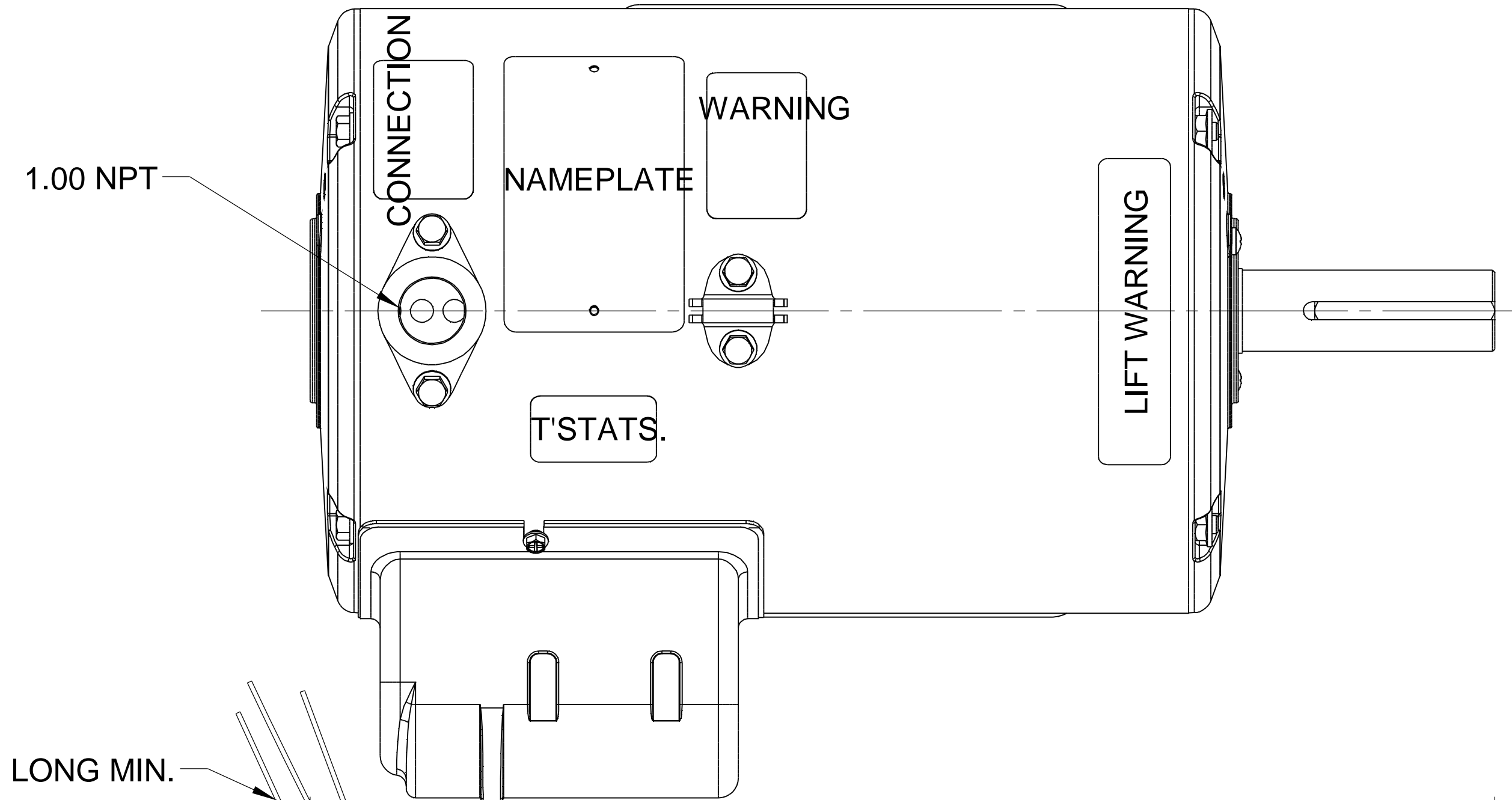
1

B

B

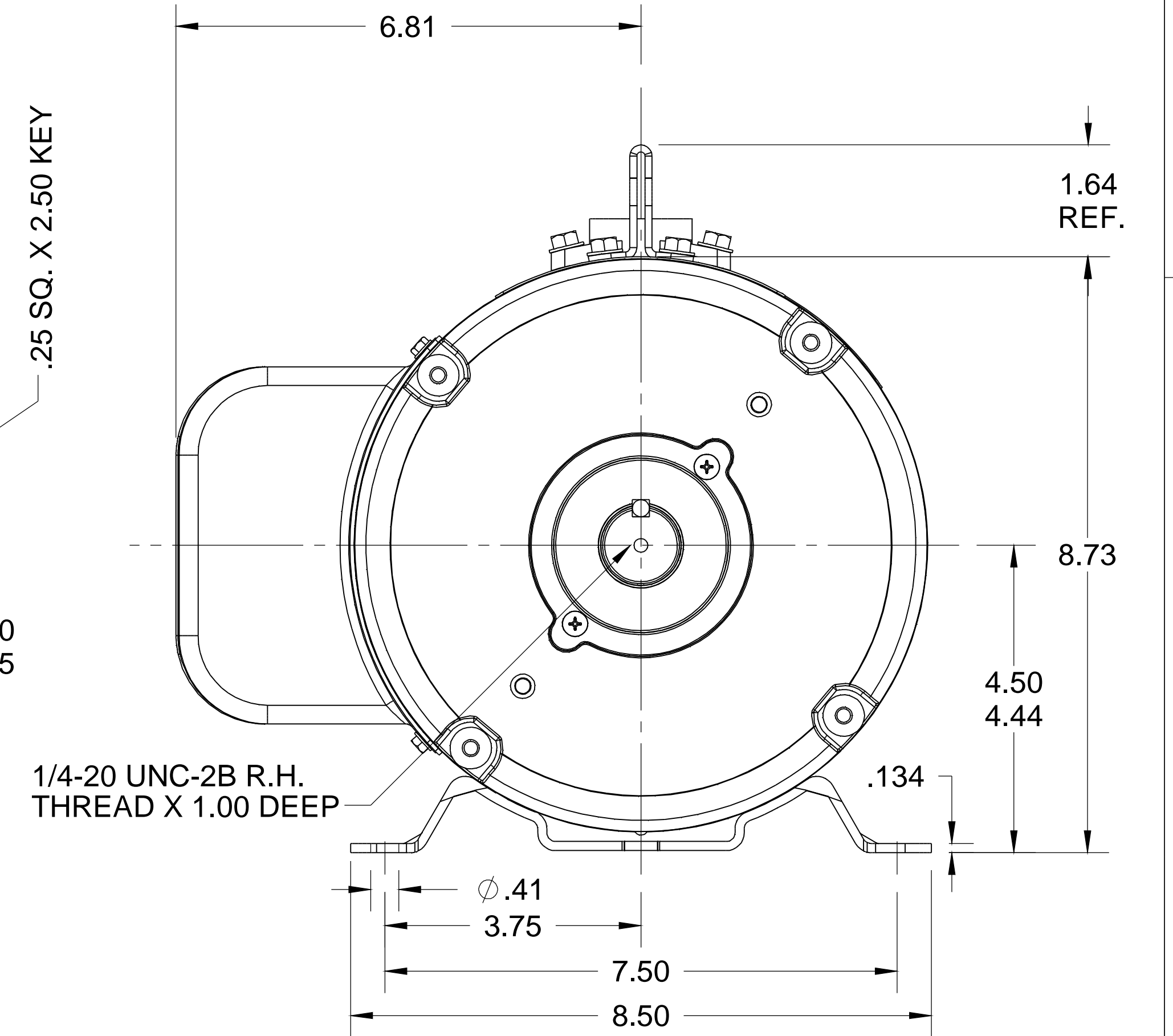
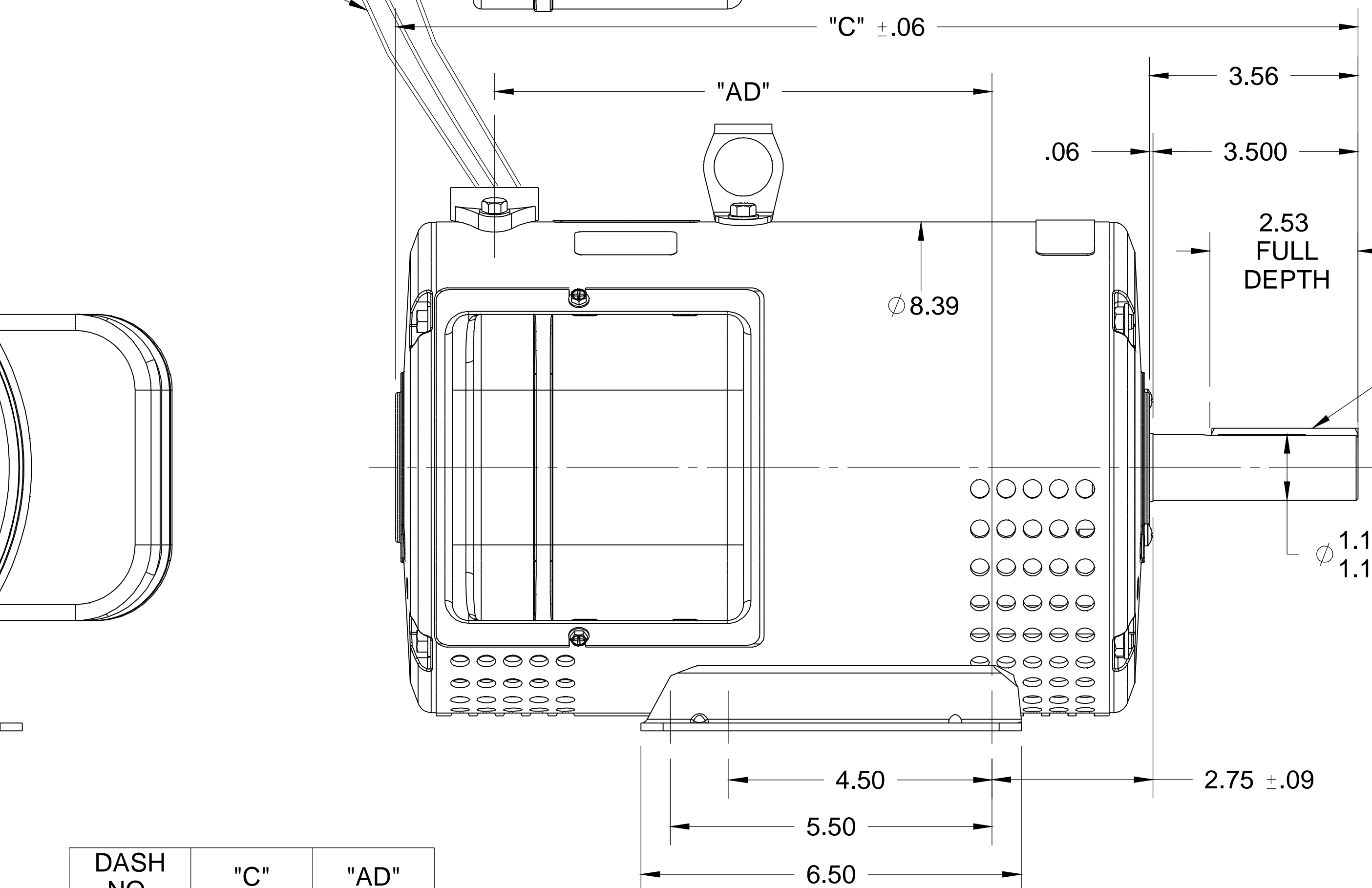
A

A



GROUND LEAD 34" LONG MIN. ATTACHED TO PROTECTOR BOSS WITH #10-32 GROUND SCREW

LEADS 34" LONG MIN.



DASH NO.	"C"	"AD"
1050	15.44	7.50
1100	15.94	8.00
1150	16.44	8.50
1200	16.94	9.00
1250	17.44	9.50
1300	17.94	10.00
1350	18.44	10.50
1400	18.94	11.00

DRAWING REVISION G	REVISION BY M.MCCALEB	DATE 04-27-2015
ECO ECO-0076543	APPROVED BY G.SCHALLOCK	DATE 04-27-2015
ECO DESCRIPTION 1.00 NPT WAS 3/4-14 NPT		
<small>COPYRIGHT REGAL BELOIT AMERICA, INC. ALL RIGHTS RESERVED. PROPRIETARY AND CONFIDENTIAL INFORMATION - THIS DOCUMENT IS THE PROPERTY OF REGAL BELOIT AMERICA, INC. ("OWNER") AND CONTAINS OWNER'S PROPRIETARY INFORMATION. ANY PERSON, CORPORATION OR OTHER FIRM RECEIVING IT IS DEEMED, BY RECEIVING IT, TO AGREE THAT IT, AND/OR ANY PART OF IT, SHALL NOT BE DISCLOSED TO ANY PERSON, CORPORATION OR OTHER ENTITY, DUPLICATED, AND/OR USED, EXCEPT AS EXPRESSLY APPROVED IN WRITING IN ADVANCE BY OWNER. THIS DOCUMENT SHALL BE RETURNED TO OWNER UPON REQUEST. IT MAY BE SUBJECT TO CERTAIN RESTRICTIONS UNDER APPLICABLE EXPORT CONTROL LAWS AND REGULATIONS.</small>		

TOLERANCES UNLESS OTHERWISE SPECIFIED:  
 DEC. INCH ±0.1 mm [±2.5] ANGLE ±0.5°  
 .X ±0.03 [±0.76]  
 .XX ±0.005 [±0.127]  
 .XXX ±0.0005 [±0.0127]  
 REMOVE BURRS & BREAK SHARP EDGES: .003/.015 [.076/.381] X 45°  
 CORNER FILLETS: R.02 [.51]  
 MACHINED SURFACES: 125 INCH 3.2 mm  
 mm SHOWN IN [BRACKETS]

DRAWN BY  
LST  
 DATE  
5/5/09  
 APPROVED BY  
 DATE  
 REFERENCE  
 THIRD ANGLE PROJECTION

**REGAL**™ Regal Beloit America, Inc.

DESCRIPTION  
**OUTLINE**  
DRIP PROOF - RIGID

MATERIAL PROCESS/FINISH

SIZE **B** DRAWING NUMBER **035732** SHEET **1 OF 1**

ORACLE REV 003

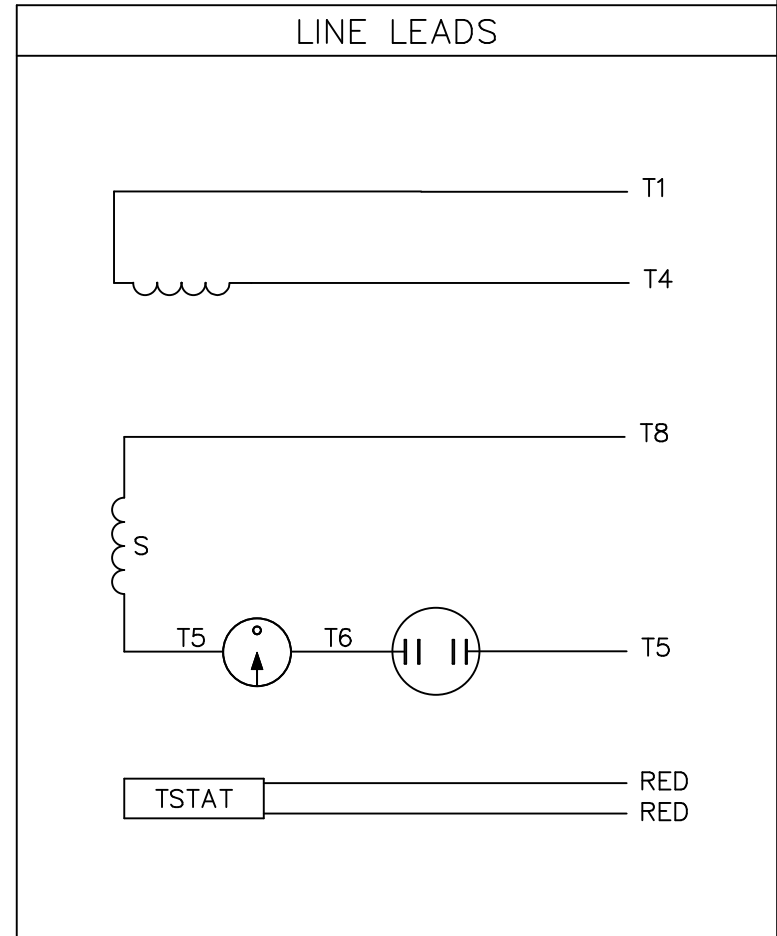
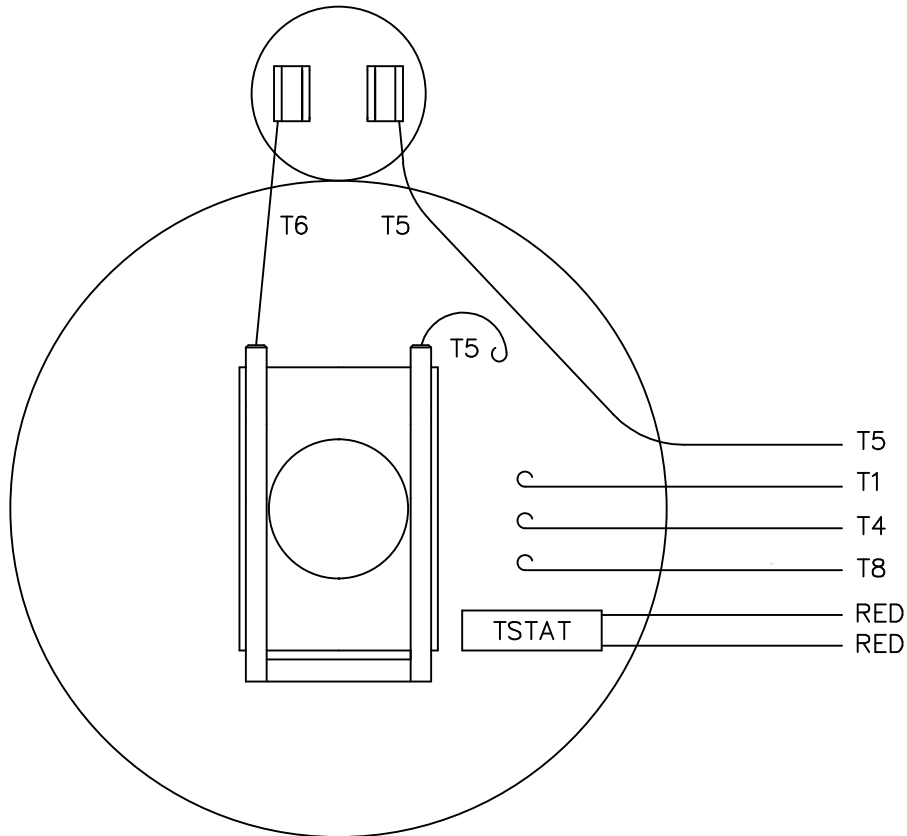
4

3

2

1

VIEW FROM OUTSIDE OF MOTOR AT SWITCH END.



ROTATION FACING LEAD END	L1	L2
C.C.W.	T1,T8	T4,T5
C.W.	T1,T5	T4,T8

				TOLERANCES UNLESS OTHERWISE SPECIFIED		
				DEC.	INCHES	METRIC
				.X	±.1	±2.5
				.XX	±.01	±.25
				.XXX	±.005	±.127
NO.	REVISION	BY & DATE	CH'K'D.	.XXXX	±.0005	±.0127
THIS DRAWING IN DESIGN AND DETAIL IS OUR PROPERTY AND MUST NOT BE USED EXCEPT IN CONNECTION WITH OUR WORK ALL RIGHTS OF DESIGN AND INVENTION ARE RESERVED THIS IS AN ELECTRONICALLY GENERATED DOCUMENT - DO NOT SCALE THIS PRINT				FRACTIONS	±1/64	REF. 005033-02
				ANGLES	±1/2'	FMF 131836

**LEESON** ELECTRIC CORPORATION

DRAWN RDW 08/24/00 TITLE EXTERNAL WIRING DIAGRAM  
 APPR. DWF 08/24/00 TYPE "C" W/O PROTECTOR  
 R.F.P. 08/24/00 MAT'L. DECAL - 004018 & 080582  
 SCALE 1=1

REV. DRAWING NO. 005033-09

FINISH SUKUP

**NLV**



**1051 CHEYENNE AVE.  
GRAFTON, WI 53024  
PH. 262-377-8810**

**CERTIFICATION DATA SHEET**

**CONN. DIAGRAM:** 005033.09

**CATALOG #:** 131847.00

**OUTLINE:** 035732-1150

**MOUNTING:** F3

**WINDING #:** C8213 DR 2 A

**TYPICAL MOTOR PERFORMANCE DATA**

HP	kW	SYNC. RPM	F.L. RPM	FRAME	ENCLOSURE	KVA CODE	DESIGN
5&7	3.70&5.20	3600	3450&3450	182TZ	DPAO	J	NO DESIGN CODE

PH	Hz	VOLTS	AMPS	START TYPE	DUTY	INSL	S.F.	AMB°C
1	60/60	230&230	26.80&35.27	ACROSS THE LINE	CONTINUOUS	F4	1.0/1.0	40

FULL LOAD EFF:	81&80	3/4 LOAD EFF:	75	1/2 LOAD EFF:	73.6	GTD. EFF		ELEC. TYPE	
FULL LOAD PF:	74.8&80.3	3/4 LOAD PF:	88	1/2 LOAD PF:	55.7	77		CAP START IND RUN	

F.L. TORQUE	LOCKED ROTOR AMPS	L.R. TORQUE	B.D. TORQUE	F.L. RISE°C
7.5 LB-FT	238	24.5 LB-FT 327 %	25.8 LB-FT 344 %	88

SOUND PRESSURE @ 3 FT.	SOUND POWER	ROTOR WK^2	MAX. WK^2	SAFE STALL TIME	STARTS / HOUR	APPROX. MOTOR WGT
0 dBA	10 dBA	0 LB-FT^2	0 LB-FT^2	0 SEC.	0	94 LBS.

**\*\*\* SUPPLEMENTAL INFORMATION \*\*\***

DE BRACKET TYPE	ODE BRACKET TYPE	MOUNT TYPE	ORIENTATION	SEVERE DUTY	HAZARDOUS LOCATION	DRIP COVER	SCREENS	PAINT
STANDARD	STANDARD	RIGID	HORIZONTAL	FALSE	NONE	FALSE	NONE	GRAY - LIGHT (EPOXY)

BEARINGS		GREASE	SHAFT TYPE	SPECIAL DE	SPECIAL ODE	SHAFT MATERIAL	FRAME MATERIAL
DE	ODE						
BALL	BALL	POLYREX EM	SGL SPL EXT	1.125 x 3.50 IN SEK	NONE	1144 STRESSPROOF (C-223)	ROLLED STEEL
6206	6205						

THERMO-PROTECTORS				THERMISTORS	CONTROL	SPACE HEATERS
THERMOSTATS	PROTECTORS	WDG RTDs	BRG RTDs			
TSTATS 140(N/C)	AUTOMATIC	NONE	NONE	NONE	FALSE	NONE VOLTS

\*  
N  
O  
T  
E  
S

<b>INVERTER TORQUE:</b> NONE
<b>INV. HP SPEED RANGE:</b> NONE
<b>ENCODER:</b> NONE
NONE NONE
NONE NONE PPR
<b>BRAKE:</b> NONE NONE
NONE P/N NONE
NONE NONE
NONE FT-LB NONE V NONE HZ



**LEESON ELECTRIC CORPORATION**  
TYPICAL PERFORMANCE CURVE for AC MOTOR

Model No 131847.00

Catalog No 131847.00

Curve at 230  
60  
7

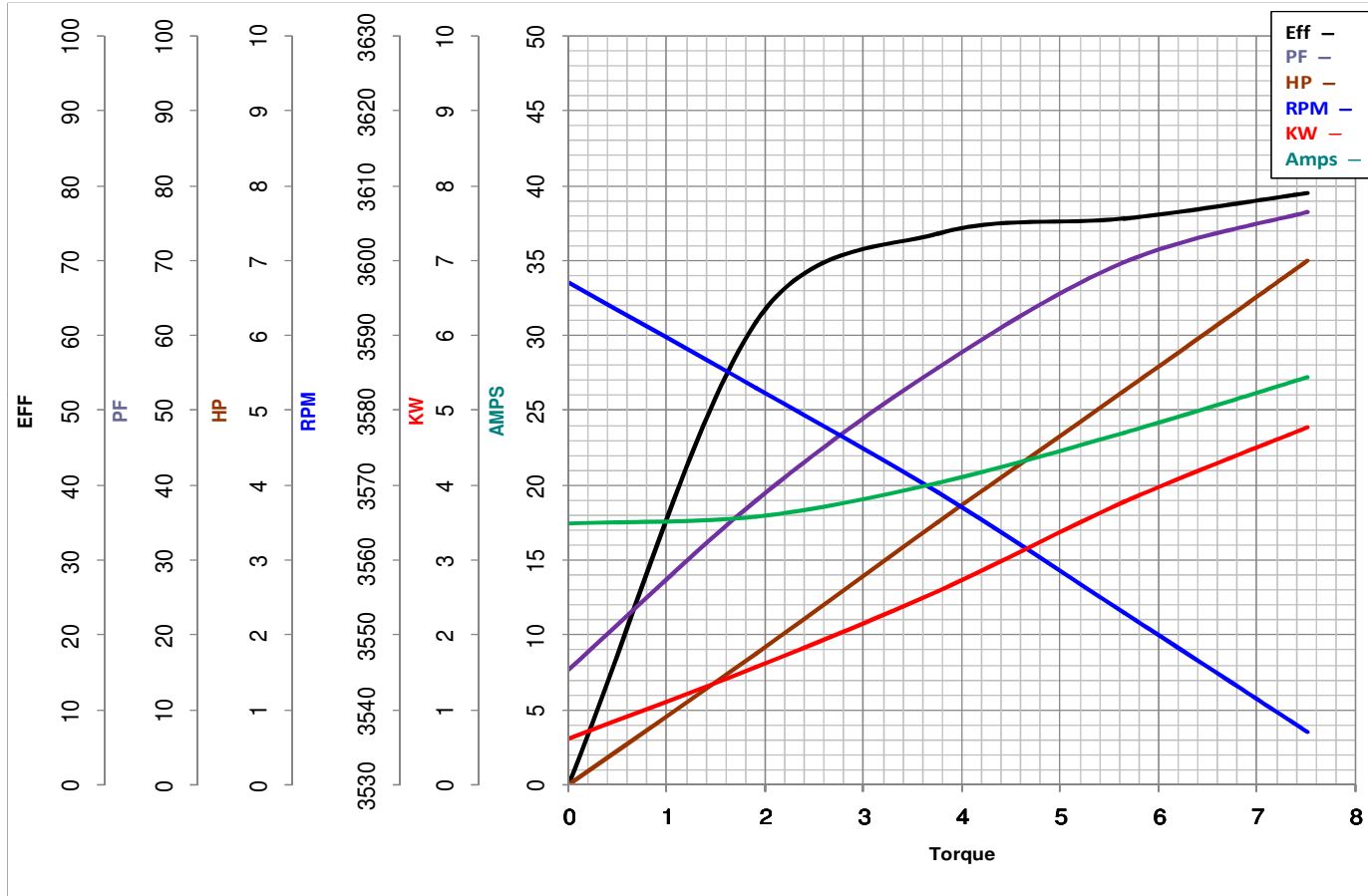
Volts  
HZ  
HP

HP 5&7  
VOLTS 230&230

PHASE 1

HZ 60&60

RPM 3450&3450



Torque in Lb.Ft

FL TORQUE 7.5 Lb.Ft  
BD TORQUE 25.8 Lb.Ft  
LR TORQUE 24.5 Lb.Ft

FL AMPS 35.27  
PU TORQUE 25.8 Lb.Ft  
LR AMPS 238

WINDING C8213-2

Date 3/13/2019