

PRODUCT INFORMATION PACKET

Model No: 131647.00

Catalog No: 131647.00

...184.TEFC..V.3PH.NONEHZ..NOT.0C..RIGID..N184T00FB5C

Regal and are trademarks of Regal Rexnord Corporation or one of its affiliated companies.
©2022 Regal Rexnord Corporation, All Rights Reserved. MC017097E



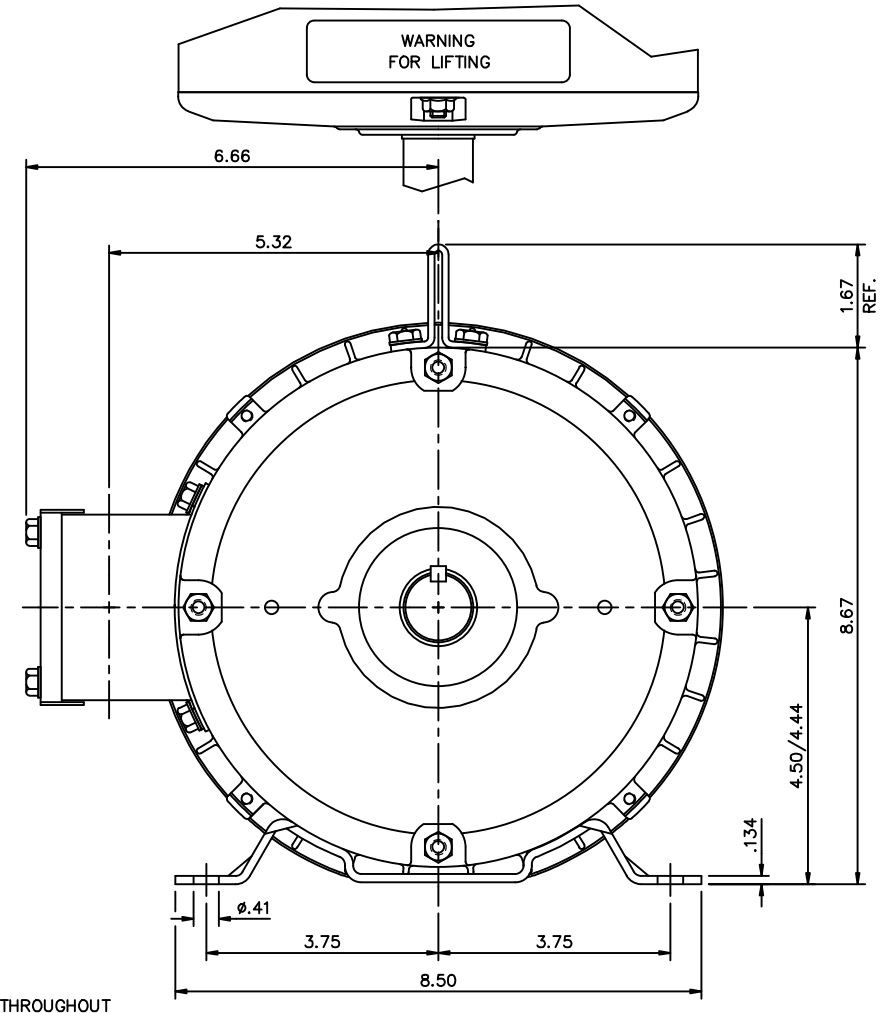
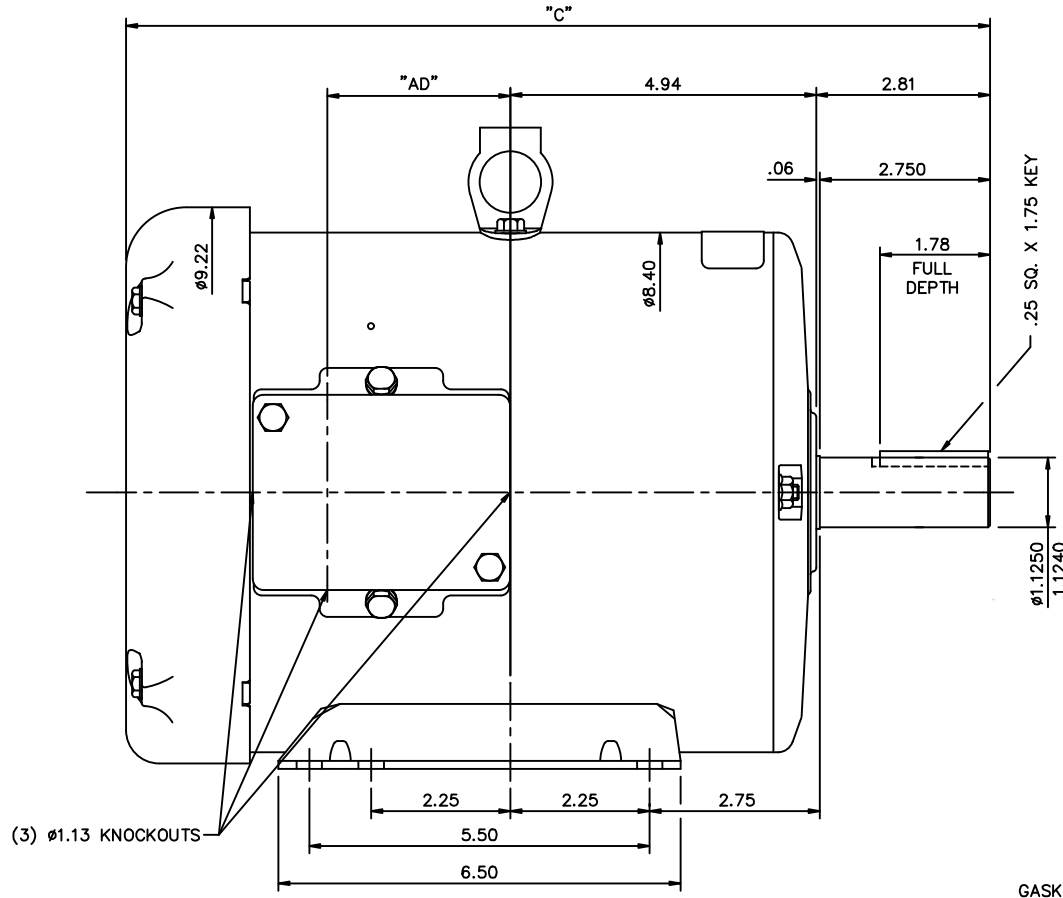
Nameplate Specifications

Output HP	0 Hp	Frequency	- Hz
Voltage	- V	Current	- A
Phase	3	Duty	Continuous
Insulation Class	F	Design Code	NO DESIGN CODE
KVA Code	-	Frame	184T
Enclosure	Totally Enclosed Fan Cooled	Thermal Protection	No Protection
Ambient Temperature	0 °C	Drive End Bearing Size	6206
Opp Drive End Bearing Size	6205	UL	No
CSA	N	CE	N
IP Code	43	Number of Speeds	1

Technical Specifications

Electrical Type	Squirrel Cage Induction Run	Starting Method	Across The Line
Poles	4	Rotation	Reversible
Mounting	Rigid Base	Motor Orientation	Horizontal
Drive End Bearing	Ball	Opp Drive End Bearing	Ball
Frame Material	Rolled Steel	Shaft Type	T
Assembly/Box Mounting	F1 ONLY		
Connection Drawing	NONE	Outline Drawing	035757-900

This is an uncontrolled document once printed or downloaded and is subject to change without notice. Date Created:11/01/2022



GASKETS THROUGHOUT

DASH NO.	"C"	"AD"
850	13.96	2.96
900	14.46	3.46
950	14.96	3.96
1000	15.46	4.46
1050	15.96	4.96
1100	16.46	5.46
1150	16.96	5.96
1200	17.46	6.46

		TOLERANCES UNLESS SPECIFIED		REGAL-BELOIT CORPORATION	DRAWN LST 6/4/10
		DEC.	INCHES		CHK
		.X	±.1		APPD
		.XX	±.03		SCALE 1=2
		.XXX	±.005	TITLE	REF 035325
		.XXXX	±.0005	MAT'L	FMF
NO.	REVISION	BY & DATE	CHK ANG ±1/2'	FINISH	PREV
THIS DRAWING IN DESIGN AND DETAIL IS OUR PROPERTY AND MUST NOT BE USED EXCEPT IN CONNECTION WITH OUR WORK ALL RIGHTS OF DESIGN AND INVENTION ARE RESERVED THIS IS AN ELECTRONICALLY GENERATED DOCUMENT - DO NOT SCALE THIS PRINT				RFP	CAD FILE 035757
				DIST	SIZE B DRAWING NO. 035757 REV.