

# PRODUCT INFORMATION PACKET

Model No: 131646.00

Catalog No: 131646.00

...182.TEFC..V.3PH.NONEHZ..NOT.0C..RIGID..N182T00FB3C

Regal and are trademarks of Regal Rexnord Corporation or one of its affiliated companies.  
©2022 Regal Rexnord Corporation, All Rights Reserved. MC017097E



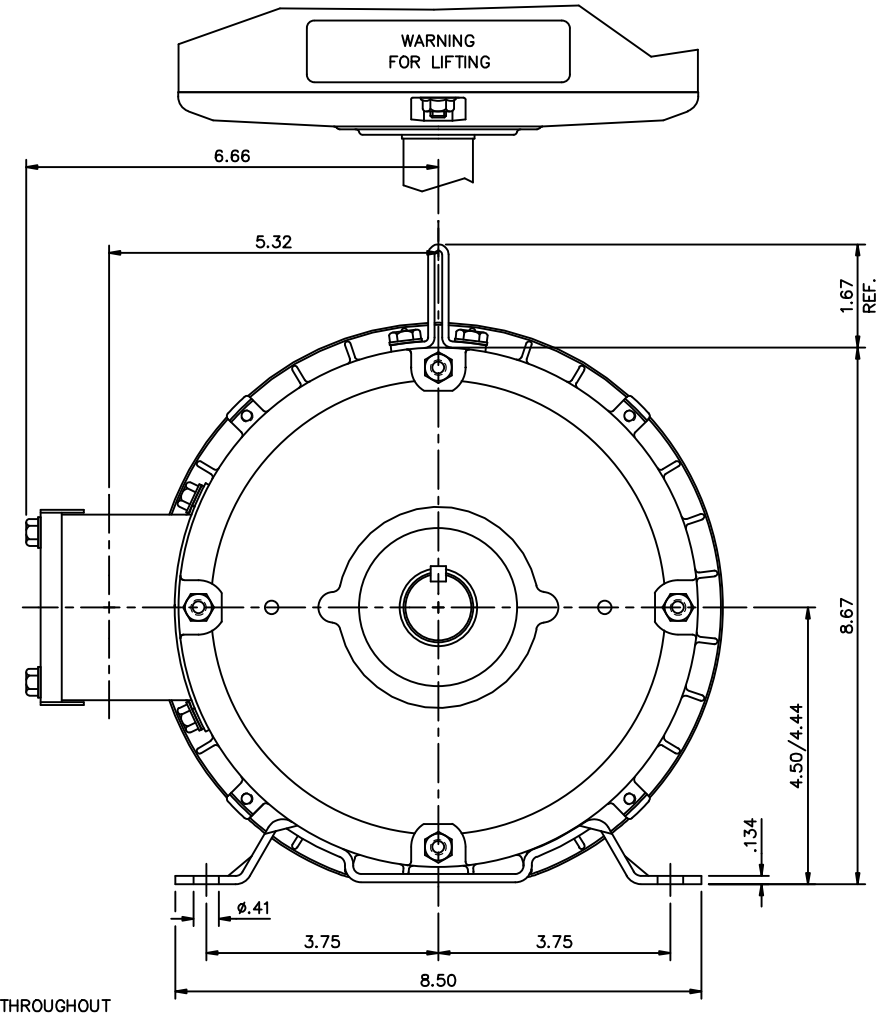
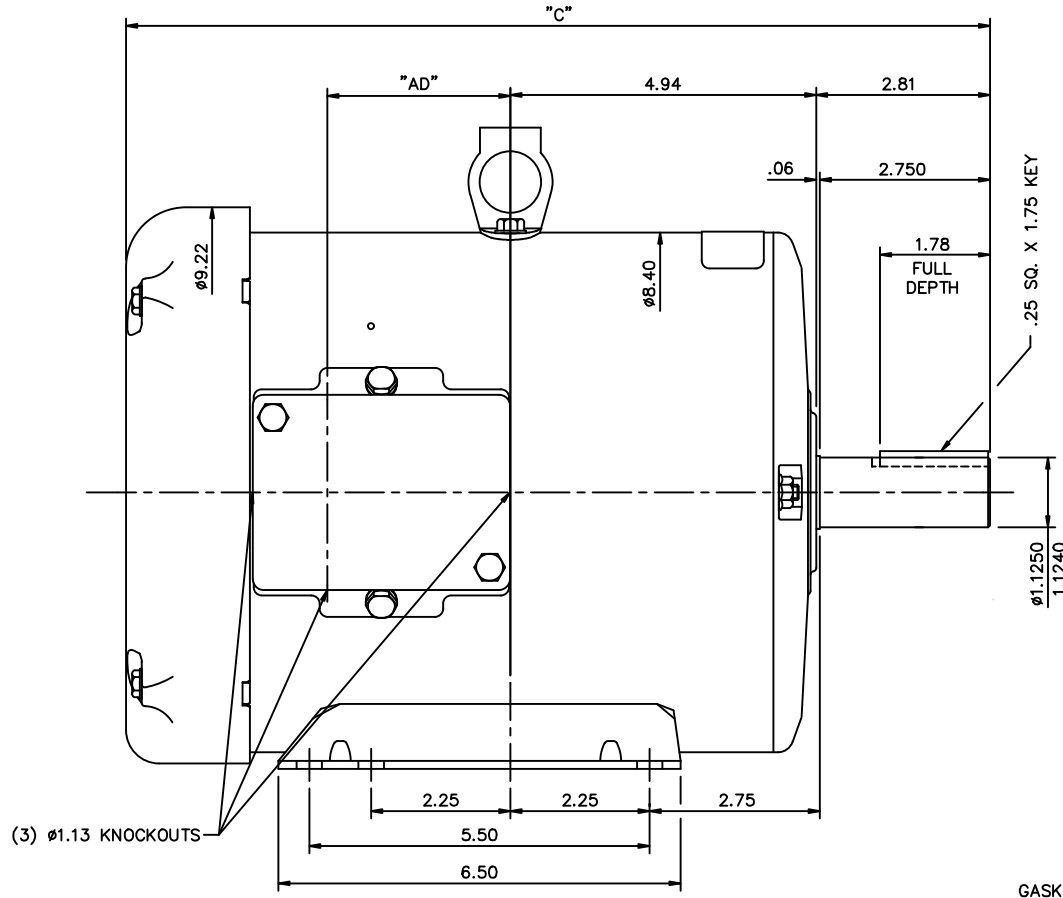
**Nameplate Specifications**

Output HP	<b>0 Hp</b>	Frequency	<b>- Hz</b>
Voltage	<b>- V</b>	Current	<b>- A</b>
Phase	<b>3</b>	Duty	<b>Continuous</b>
Insulation Class	<b>F</b>	Design Code	<b>NO DESIGN CODE</b>
KVA Code	<b>-</b>	Frame	<b>182T</b>
Enclosure	<b>Totally Enclosed Fan Cooled</b>	Thermal Protection	<b>No Protection</b>
Ambient Temperature	<b>0 °C</b>	Drive End Bearing Size	<b>6206</b>
Opp Drive End Bearing Size	<b>6205</b>	UL	<b>No</b>
CSA	<b>N</b>	CE	<b>N</b>
IP Code	<b>43</b>	Number of Speeds	<b>1</b>

**Technical Specifications**

Electrical Type	<b>Squirrel Cage Induction Run</b>	Starting Method	<b>Across The Line</b>
Poles	<b>4</b>	Rotation	<b>Reversible</b>
Mounting	<b>Rigid Base</b>	Motor Orientation	<b>Horizontal</b>
Drive End Bearing	<b>Ball</b>	Opp Drive End Bearing	<b>Ball</b>
Frame Material	<b>Rolled Steel</b>	Shaft Type	<b>T</b>
Assembly/Box Mounting	<b>F1 ONLY</b>		
Connection Drawing	<b>NONE</b>	Outline Drawing	<b>035757-800</b>

This is an uncontrolled document once printed or downloaded and is subject to change without notice. Date Created:11/01/2022



GASKETS THROUGHOUT

DASH NO.	"C"	"AD"
850	13.96	2.96
900	14.46	3.46
950	14.96	3.96
1000	15.46	4.46
1050	15.96	4.96
1100	16.46	5.46
1150	16.96	5.96
1200	17.46	6.46

		TOLERANCES UNLESS SPECIFIED		<b>REGAL-BELOIT CORPORATION</b>	DRAWN LST 6/4/10
		DEC.	INCHES		CHK
		.X	±.1		APPD
		.XX	±.03		SCALE 1=2
		.XXX	±.005	REF 035325	
		.XXXX	±.0005	FMF	
NO.	REVISION	BY & DATE	CHK ANG ±1/2"	FINISH	PREV
THIS DRAWING IN DESIGN AND DETAIL IS OUR PROPERTY AND MUST NOT BE USED EXCEPT IN CONNECTION WITH OUR WORK ALL RIGHTS OF DESIGN AND INVENTION ARE RESERVED THIS IS AN ELECTRONICALLY GENERATED DOCUMENT - DO NOT SCALE THIS PRINT				RFP	CAD FILE 035757
				DIST	SIZE B DRAWING NO. 035757
					REV.