

# PRODUCT INFORMATION PACKET



Model No: 131633.00  
Catalog No: 131633.00  
General Purpose Motor, 5 HP, 1 Ph, 60 Hz, 230 V, 1800 RPM, 184TC Frame, TEFC



Regal and Leeson are trademarks of Regal Rexnord Corporation or one of its affiliated companies.  
©2022 Regal Rexnord Corporation, All Rights Reserved. MC017097E





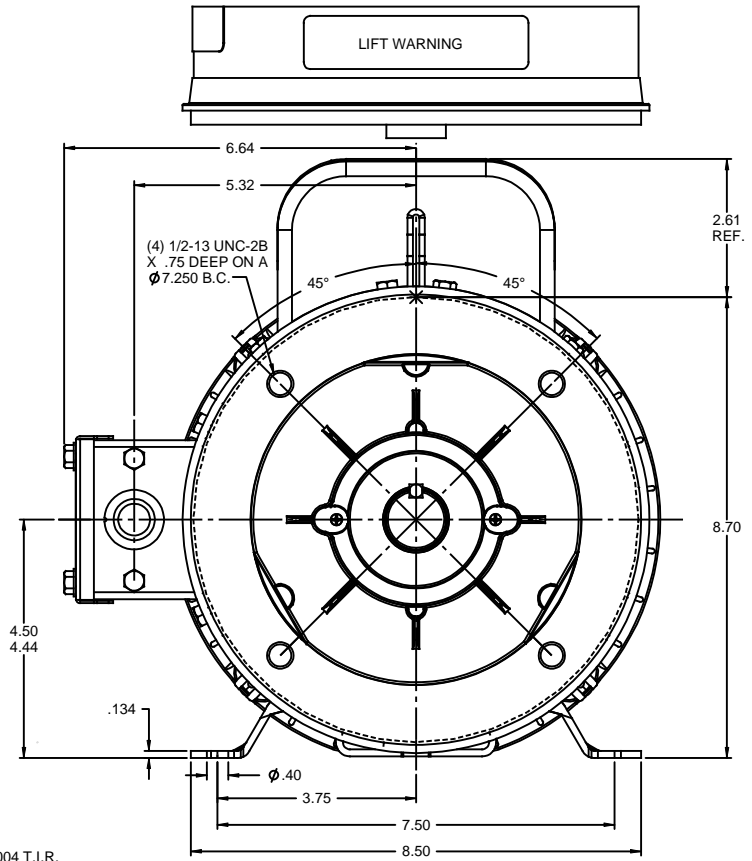
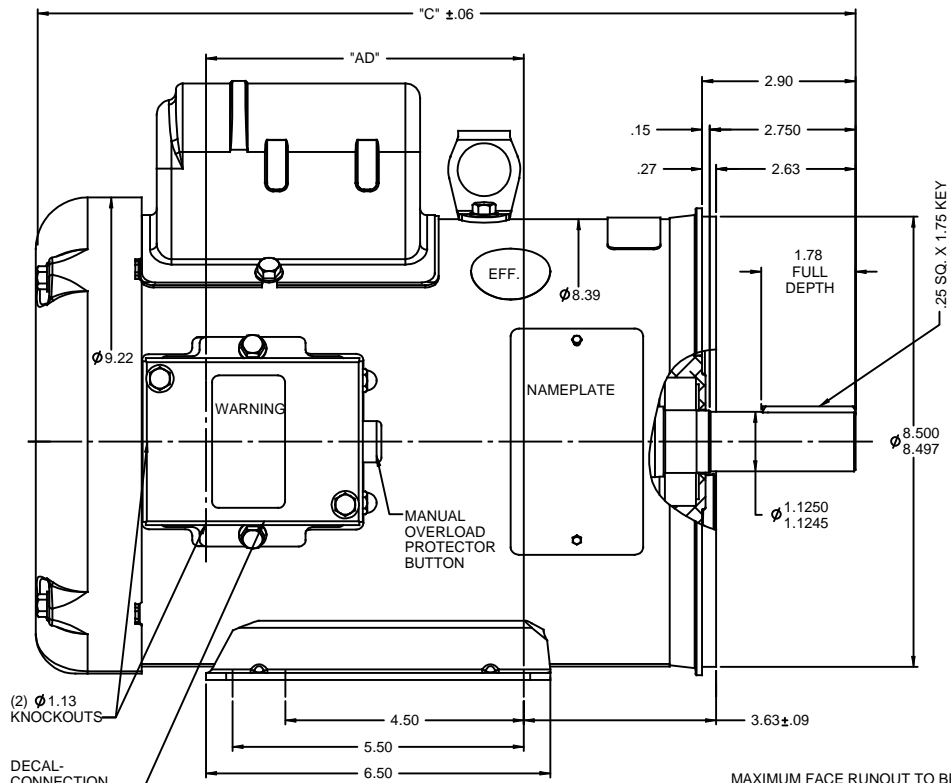
### Nameplate Specifications

Output HP	<b>5 Hp</b>	Output KW	<b>3.7 kW</b>
Frequency	<b>60 Hz</b>	Voltage	<b>230 V</b>
Current	<b>23.0 A</b>	Speed	<b>1740 rpm</b>
Service Factor	<b>1</b>	Phase	<b>1</b>
Efficiency	<b>81 %</b>	Power Factor	<b>92</b>
Duty	<b>Continuous</b>	Insulation Class	<b>F</b>
Design Code	<b>L</b>	KVA Code	<b>H</b>
Frame	<b>184TC</b>	Enclosure	<b>Totally Enclosed Fan Cooled</b>
Thermal Protection	<b>Manual</b>	Ambient Temperature	<b>40 °C</b>
Drive End Bearing Size	<b>6206</b>	Opp Drive End Bearing Size	<b>6205</b>
UL	<b>Recognized</b>	CSA	<b>Y</b>
CE	<b>N</b>	IP Code	<b>43</b>
Number of Speeds	<b>1</b>		

### Technical Specifications

Electrical Type	<b>Capacitor Start Capacitor Run</b>	Starting Method	<b>Across The Line</b>
Poles	<b>4</b>	Rotation	<b>Selective Counterclockwise</b>
Resistance Main	<b>0 Ohms</b>	Mounting	<b>Rigid Base</b>
Motor Orientation	<b>Horizontal</b>	Drive End Bearing	<b>Ball</b>
Opp Drive End Bearing	<b>Ball</b>	Frame Material	<b>Rolled Steel</b>
Shaft Type	<b>T</b>	Overall Length	<b>17.47 in</b>
Frame Length	<b>12.00 in</b>	Shaft Diameter	<b>1.125 in</b>
Shaft Extension	<b>2.75 in</b>	Assembly/Box Mounting	<b>F1 ONLY</b>
Connection Drawing	<b>005056.03</b>	Outline Drawing	<b>035381-1200</b>

RBC PROPRIETARY AND CONFIDENTIAL INFORMATION  
 This document is the property of REGAL BELOIT CORPORATION ("RBC") including its subsidiaries and divisions and contains proprietary information of RBC. This document is loaned on the express condition that neither it nor the information contained therein shall be disclosed to others without the express written consent of RBC, and that the information shall be used by the recipient only as approved expressly by RBC. This document shall be returned to RBC upon its request. This document may be subject to certain restrictions under U.S. export control laws and regulations.



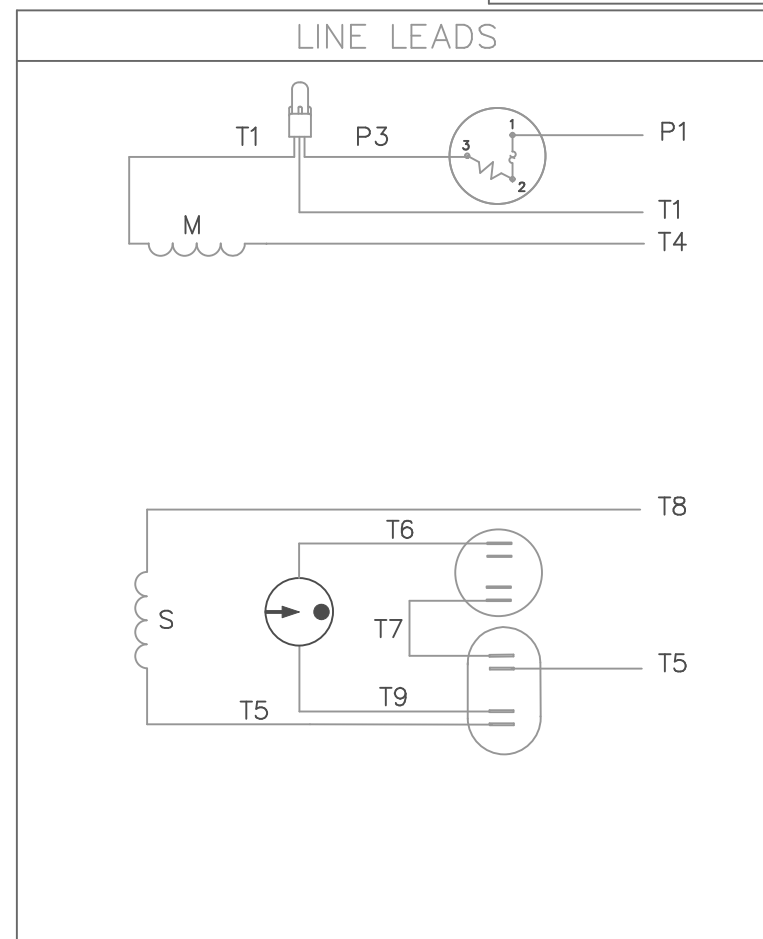
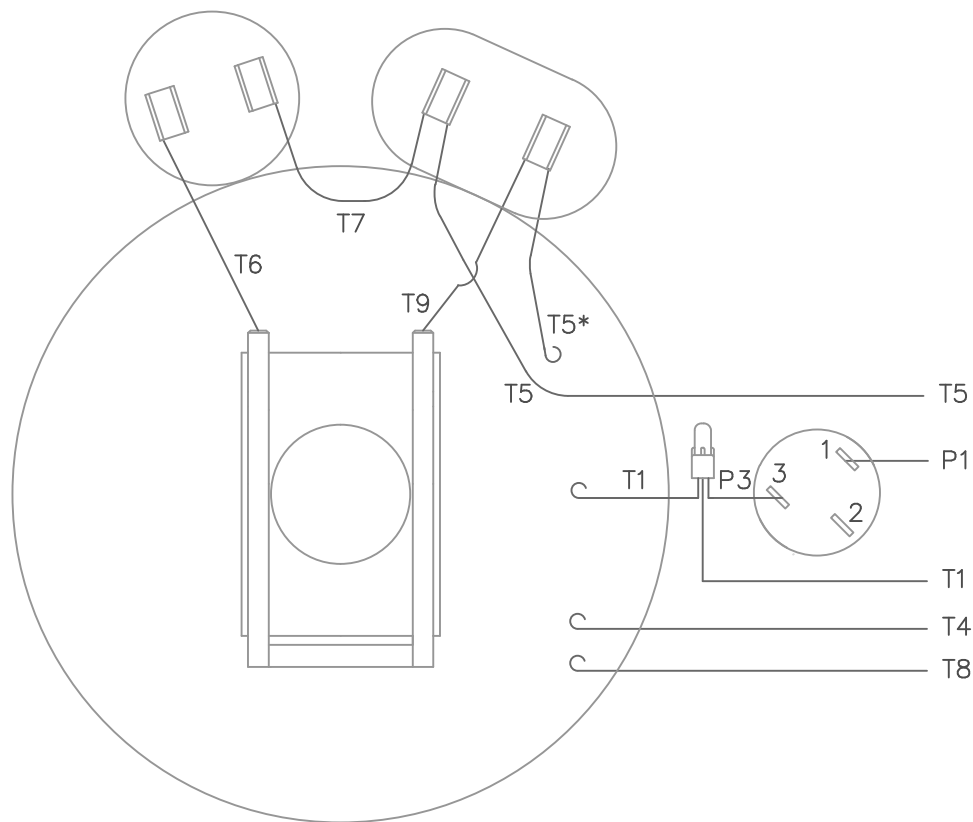
MAXIMUM FACE RUNOUT TO BE .004 T.I.R.  
 MAXIMUM PILOT ECCENTRICITY TO BE .004 T.I.R.  
 PERMISSIBLE SHAFT RUNOUT TO BE .002 T.I.R.  
 GASKETS THROUGHOUT

DASH NO.	"C"	"AD"
850	13.97	4.50
900	14.47	5.00
950	14.97	5.50
1000	15.47	6.00
1050	15.97	6.50
1100	16.47	7.00
1150	16.97	7.50
1200	17.47	8.00

TOLERANCES UNLESS SPECIFIED:			DRAWN PG 10/30/97
DEC	INCHES		CHK RK 10/30/97
X	±.1	APP	SCALE 1:2
XX	±.03	TITLE	REF 033178
XXX	±.005	OUTLINE - 180TC FRAME	FMF
XXXX	±.0005	TEFC - "C" FACE - RIGID "C"	PAGE OF
NO	REVISION	MATL W/MANUAL PROTECTOR	REV
BY & DATE	LST 11/12/2009	FINISH	
THIRD ANGLE PROJECTION	CHK ANG ±1/2°	RFP	SIZE B
	PREV	NETWORK FILE NAME	DRAWING NO 035381

RBC PROPRIETARY AND CONFIDENTIAL INFORMATION  
 This document is the property of REGAL BELOIT CORPORATION ("RBC") including its subsidiaries and divisions and contains proprietary information of RBC. This document is loaned on the express condition that neither it nor the information contained therein shall be disclosed to others without the express written consent of RBC, and that the information shall be used by the recipient only as approved expressly by RBC. This document shall be returned to RBC upon its request. This document may be subject to certain restrictions under U.S. export control laws and regulations.

VIEW FROM OUTSIDE OF MOTOR AT SWITCH END.



ROTATION FACING LEAD END	L1	L2	JOIN
C.C.W.	P1	T4, T5	T1, T8
C.W.	P1	T4, T8	T1, T5

\* THIS LEAD MAY BE WHITE

				TOLERANCES UNLESS SPECIFIED		<b>LEESON</b> ELECTRIC MOTORS GEARMOTORS AND DRIVES		DRAWN WLW 08/30/76		
				DEC.	INCHES			CHK WRK 09/24/76		
				.X	±.1	TITLE EXTERNAL WIRING DIAGRAM TYPE "K" W/ PROTECTOR		APPD		
08	ALTERNATE T5 LEAD MARKING WAS RED	RLW	8/6/02	.XX	±.01			SCALE 1=1		
07	ADDED ALTERNATE T5 LEAD MARKING	RLW	5/31/02	KH	.XXX			±.005	REF	
06	REDRAWN TO CAD	DBT	5/31/02		.XXXX	±.0005	MAT'L. DECAL - 004015		FMF 6K17FB4	
NO.	REVISION	BY & DATE	CHK	ANG	±1/2'	FINISH		PREV		
THIS DRAWING IN DESIGN AND DETAIL IS OUR PROPERTY AND MUST NOT BE USED EXCEPT IN CONNECTION WITH OUR WORK ALL RIGHTS OF DESIGN AND INVENTION ARE RESERVED THIS IS AN ELECTRONICALLY GENERATED DOCUMENT - DO NOT SCALE THIS PRINT				RFP	CAD FILE 00505603			SIZE A	DRAWING NO. 005056-03	REV. 08
				DIST	BRF-NLV					



1051 CHEYENNE AVE.  
GRAFTON, WI 53024  
PH. 262-377-8810

CERTIFICATION DATA SHEET

CONN. DIAGRAM: 005056.03  
OUTLINE: 035381-1200  
WINDING #: K843 2 A

CATALOG #:131633.00  
MOUNTING: F1 ONLY

TYPICAL MOTOR PERFORMANCE DATA

HP	kW	SYNC. RPM	F.L. RPM	FRAME	ENCLOSURE	KVA CODE	DESIGN
5	3.70	1800	1740	184TC	TEFC	H	L

PH	Hz	VOLTS	AMPS	START TYPE	DUTY	INSL	S.F.	AMB°C
1	60	230	23	ACROSS THE LINE	CONTINUOUS	F4	1.0	40

FULL LOAD EFF:	81	3/4 LOAD EFF:	83.6	1/2 LOAD EFF:	82.3	GTD. EFF	ELEC. TYPE
FULL LOAD PF:	92	3/4 LOAD PF:	87.9	1/2 LOAD PF:	79.5	77	CAP START CAP RUN

F.L. TORQUE	LOCKED ROTOR AMPS	L.R. TORQUE	B.D. TORQUE	F.L. RISE°C
15 LB-FT	149	46.5 LB-FT 310 %	35.3 LB-FT 235 %	98

SOUND PRESSURE @ 3 FT.	SOUND POWER	ROTOR WK^2	MAX. WK^2	SAFE STALL TIME	STARTS / HOUR	APPROX. MOTOR WGT
0 dBA	10 dBA	0.612 LB-FT^2	0.6 LB-FT^2	0 SEC.	0	107 LBS.

\*\*\* SUPPLEMENTAL INFORMATION \*\*\*

DE BRACKET TYPE	ODE BRACKET TYPE	MOUNT TYPE	ORIENTATION	SEVERE DUTY	HAZARDOUS LOCATION	DRIP COVER	SCREENS	PAINT
C-FACE	STANDARD	RIGID	HORIZONTAL	FALSE	NONE	FALSE	NONE	BLUE - LEESON (ENAMEL)

BEARINGS		GREASE	SHAFT TYPE	SPECIAL DE	SPECIAL ODE	SHAFT MATERIAL	FRAME MATERIAL
DE	ODE						
BALL	BALL	POLYREX EM	T	NONE	NONE	AISI 1045 (C-240)	ROLLED STEEL
6206	6205						

THERMO-PROTECTORS				THERMISTORS	CONTROL	SPACE HEATERS
THERMOSTATS	PROTECTORS	WDG RTDs	BRG RTDs			
NONE	MANUAL	NONE	NONE	NONE	FALSE	NONE VOLTS

<b>INVERTER TORQUE:</b> NONE <b>INV. HP SPEED RANGE:</b> NONE
<b>ENCODER:</b> NONE NONE NONE NONE NONE PPR
<b>BRAKE:</b> NONE NONE NONE P/N NONE NONE NONE NONE FT-LB NONE V NONE Hz

\*  
N  
O  
T  
E  
S  
\*

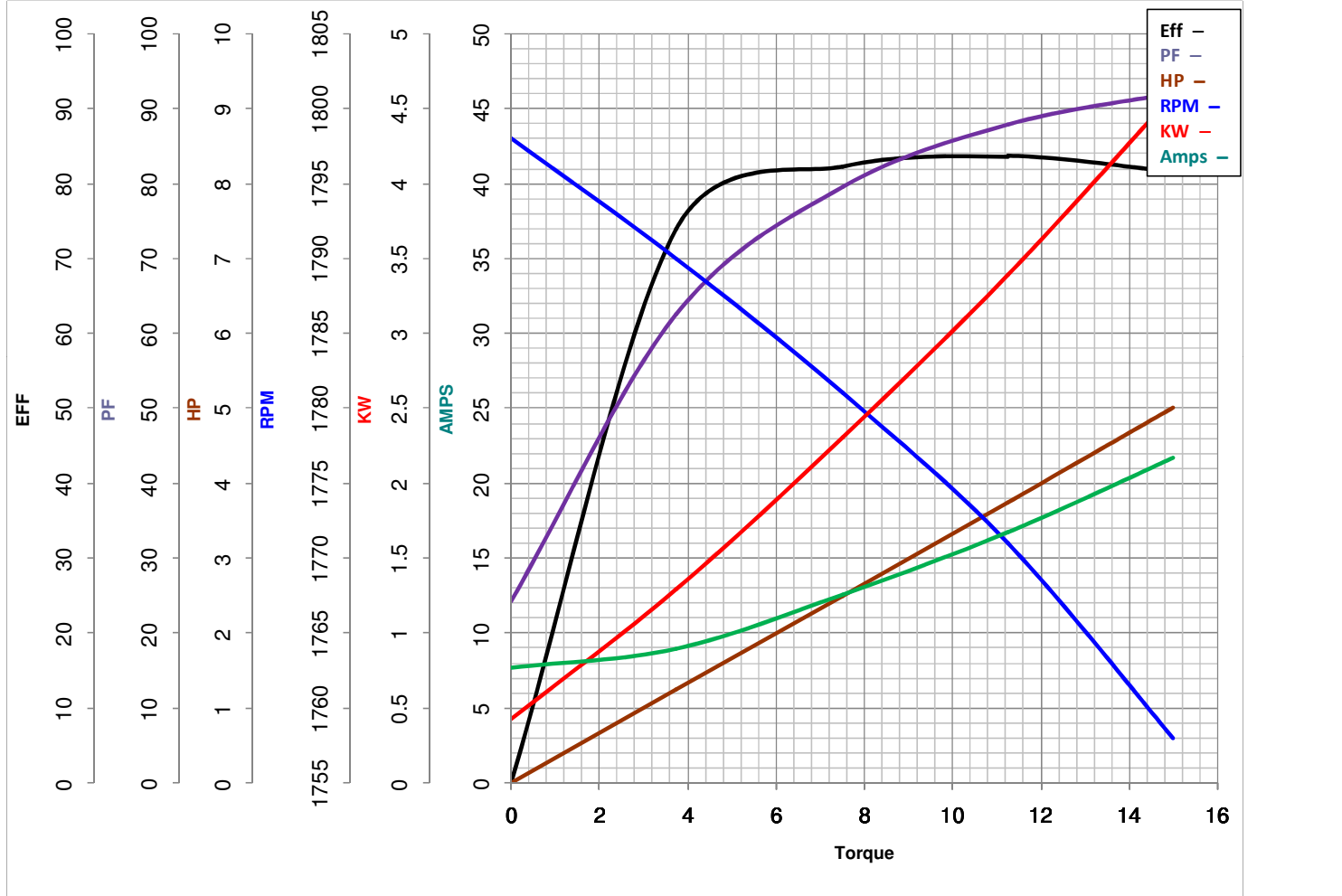


**LEESON ELECTRIC CORPORATION**  
TYPICAL PERFORMANCE CURVE for AC MOTOR

Curve at 230 Volts      HP 5.00      PHASE 1  
60 HZ  
5 HP      VOLTS 230  
HZ 60      RPM 1740

Model No 131633.00

Catalog No 131633.00



Torque in Lb.Ft

FL TORQUE 15 Lb.Ft  
 BD TORQUE 35.3 Lb.Ft  
 LR TORQUE 46.5 Lb.Ft

FL AMPS 23  
 PU TORQUE 30.5 Lb.Ft  
 LR AMPS 149

WINDING K843-2

Date 3/19/2018