

# PRODUCT INFORMATION PACKET



Model No: 131601.00  
Catalog No: 131601.00  
Special Voltage Motor, 3 HP, 1 Ph, 50 Hz, 220 V, 1500 RPM, 184T Frame, TEFC



Regal and Leeson are trademarks of Regal Rexnord Corporation or one of its affiliated companies.  
©2023 Regal Rexnord Corporation, All Rights Reserved. MC017097E





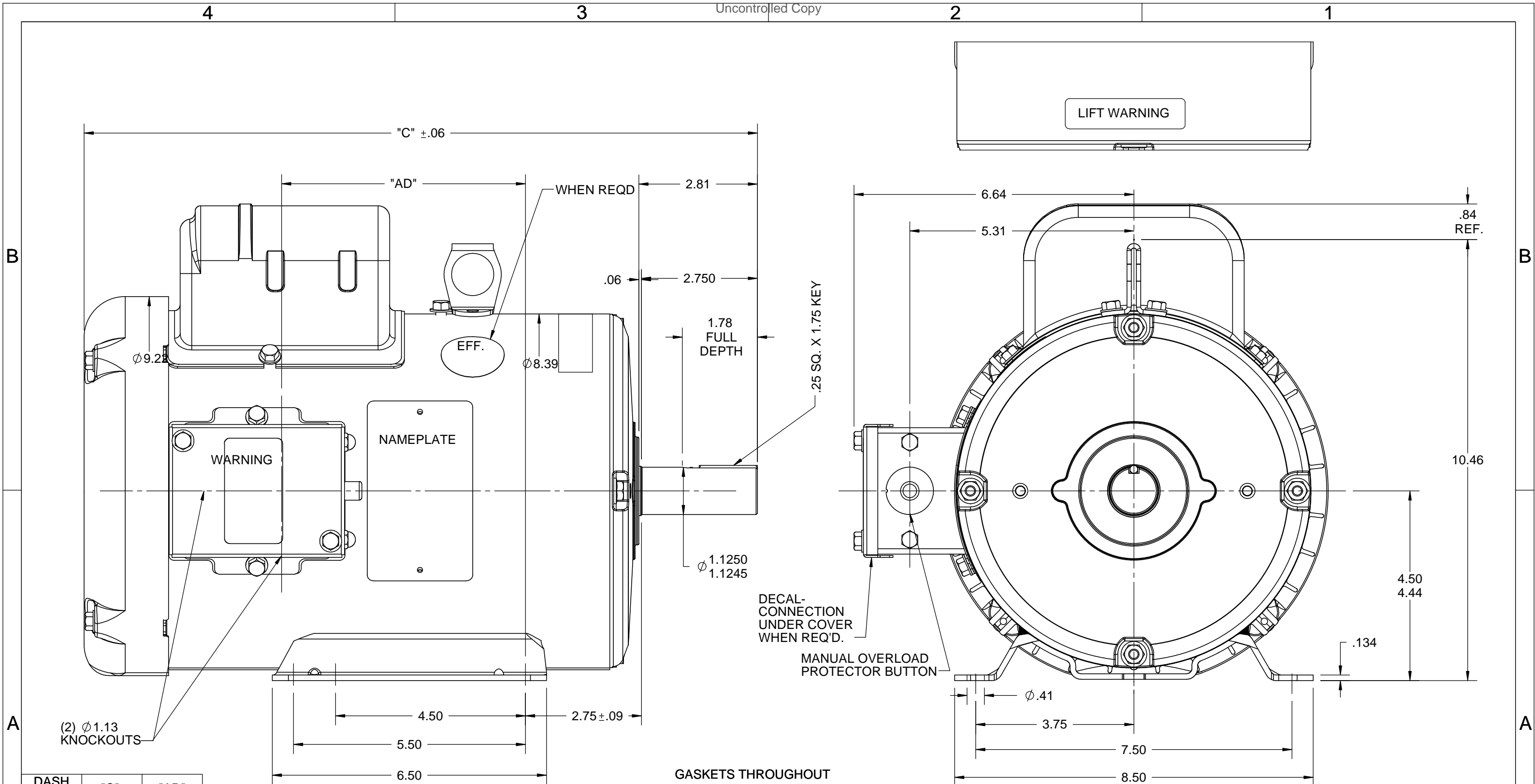
### Nameplate Specifications

Output HP	<b>3 Hp</b>	Output KW	<b>2.2 kW</b>
Frequency	<b>50 Hz</b>	Voltage	<b>220 V</b>
Current	<b>15.9 A</b>	Speed	<b>1440 rpm</b>
Service Factor	<b>1</b>	Phase	<b>1</b>
Efficiency	<b>75.5 %</b>	Power Factor	<b>79.8</b>
Duty	<b>Continuous</b>	Insulation Class	<b>F</b>
Design Code	<b>NO DESIGN CODE</b>	KVA Code	<b>J</b>
Frame	<b>184T</b>	Enclosure	<b>Totally Enclosed Fan Cooled</b>
Thermal Protection	<b>Manual</b>	Ambient Temperature	<b>40 °C</b>
Drive End Bearing Size	<b>6206</b>	Opp Drive End Bearing Size	<b>6205</b>
UL	<b>No</b>	CSA	<b>Y</b>
CE	<b>Y</b>	IP Code	<b>54</b>
Number of Speeds	<b>1</b>		

### Technical Specifications

Electrical Type	<b>Capacitor Start Induction Run</b>	Starting Method	<b>Across The Line</b>
Poles	<b>4</b>	Rotation	<b>Selective Counterclockwise</b>
Resistance Main	<b>0 Ohms</b>	Mounting	<b>Rigid Base</b>
Motor Orientation	<b>Horizontal</b>	Drive End Bearing	<b>Ball</b>
Opp Drive End Bearing	<b>Ball</b>	Frame Material	<b>Rolled Steel</b>
Shaft Type	<b>T</b>	Overall Length	<b>16.96 in</b>
Frame Length	<b>11.50 in</b>	Shaft Diameter	<b>1.125 in</b>
Shaft Extension	<b>2.75 in</b>	Assembly/Box Mounting	<b>F1 ONLY</b>
Outline Drawing	<b>035482-1150</b>	Connection Drawing	<b>005410.01</b>

This is an uncontrolled document once printed or downloaded and is subject to change without notice. Date Created:02/16/2023



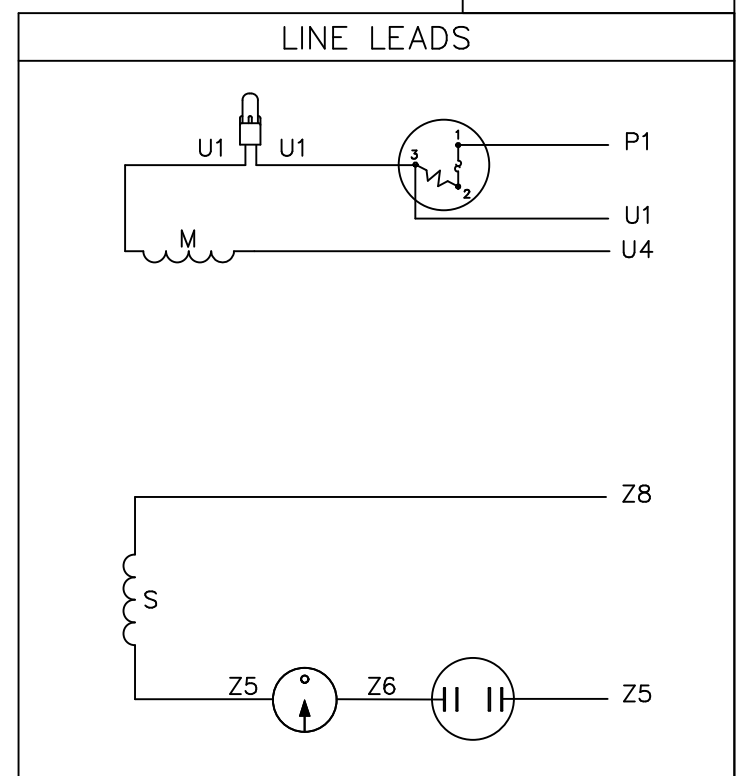
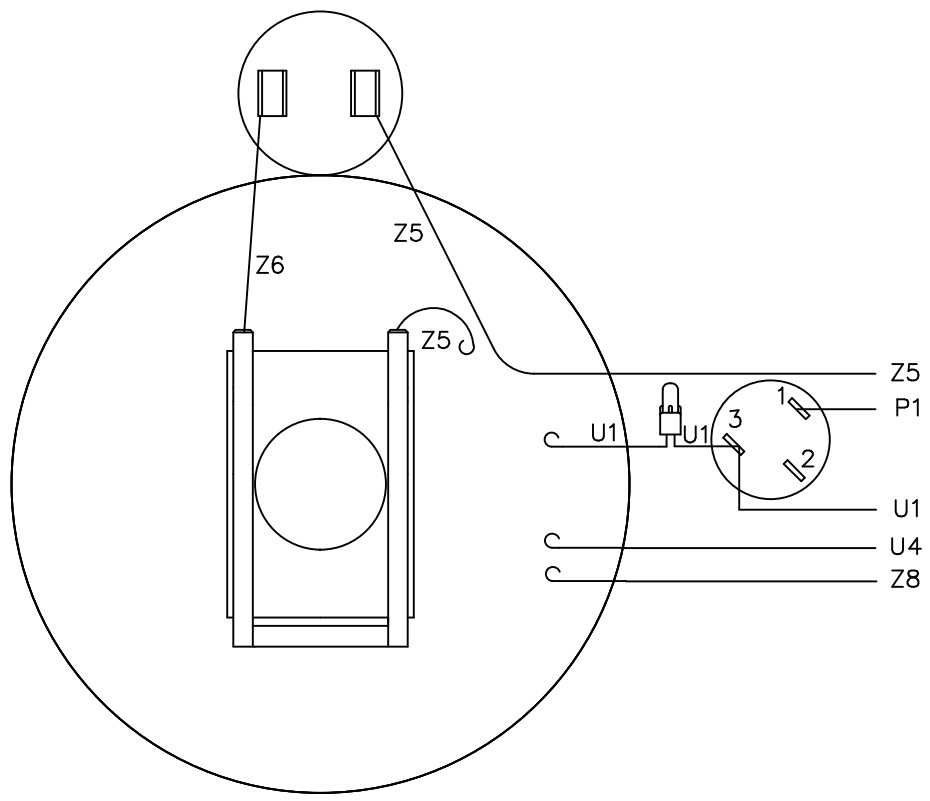
DASH NO.	"C"	"AD"
850	13.96	5.25
900	14.46	5.75
950	14.96	6.25
1000	15.46	6.75
1050	15.96	7.25
1100	16.46	7.75
1150	16.96	8.25
1200	17.46	8.75
1250	17.96	9.25

DRAWING REVISION D	REVISION BY MVG	DATE 06/15/2017
ECO ECO-0125433	APPROVED BY JD	DATE 06/15/2017
ECO DESCRIPTION <b>ADDED ITEM # 1200 &amp; 1250</b> COPYRIGHT REGAL BELOIT AMERICA, INC. ALL RIGHTS RESERVED. PROPRIETARY AND CONFIDENTIAL INFORMATION - THIS DOCUMENT IS THE PROPERTY OF REGAL BELOIT AMERICA, INC. ("OWNER") AND CONTAINS OWNER'S PROPRIETARY INFORMATION. ANY PERSON, CORPORATION OR OTHER FIRM RECEIVING IT IS DEEMED, BY RECEIVING IT, TO AGREE THAT IT, AND/OR ANY PART OF IT, SHALL NOT BE DISCLOSED TO ANY PERSON, CORPORATION OR OTHER ENTITY, DUPLICATED, AND/OR USED, EXCEPT AS EXPRESSLY APPROVED IN WRITING IN ADVANCE BY OWNER. THIS DOCUMENT SHALL BE RETURNED TO OWNER UPON REQUEST. IT MAY BE SUBJECT TO CERTAIN RESTRICTIONS UNDER APPLICABLE EXPORT CONTROL LAWS AND REGULATIONS.		

TOLERANCES UNLESS OTHERWISE SPECIFIED:			
DEC.	INCH	mm	ANGLE
.X	±0.1	[±2.5]	±0.5°
.XX	±0.01	[±0.25]	
.XXX	±0.005	[±0.127]	
.XXXX	±0.0005	[±0.0127]	
REMOVE BURRS & BREAK SHARP EDGES: .003/.015 [.076/.381] X 45° CORNER FILLETS: R.02 [.51] MACHINED SURFACES: 125 3.2 INCH mm			
mm SHOWN IN [BRACKETS]			

DRAWN BY LST	<b>REGAL</b> ™ Regal Beloit America, Inc.	
DATE 12/8/03	DESCRIPTION <b>OUTLINE</b> TEFC - RIGID MOUNT	
APPROVED BY KH	MATERIAL	PROCESS/FINISH
DATE 12/10/03	GENERAL PURPOSE	
REFERENCE PR030439	SIZE	DRAWING NUMBER
THIRD ANGLE PROJECTION	<b>B</b>	<b>035482</b>
		SHEET 1 OF 1

VIEW FROM OUTSIDE OF MOTOR AT SWITCH END.



ROTATION FACING LEAD END	L1	L2	JOIN & INSULATE
C.C.W.	P1	U4,Z5	U1,Z8
C.W.	P1	U4,Z8	U1,Z5

TOLERANCES UNLESS OTHERWISE SPECIFIED  
DECIMALS

**LEESON** ELECTRIC CORPORATION

				.00	± .01	DRAWN DBT 06/05/97	TITLE EXTERNAL WIRING DIAGRAM TYPE "C" W/PROTECTOR		
				.000	± .005	CH'K'D. KH 06/05/97			
01	ADDED PRESSURE CONNECTOR TO U1 PER ASSY	RDW	07/15/97	.0000	± .0005	APPR. KMM 06/10/97			
NO.	REVISION	BY	DATE	FRACTIONS	± 1/64	SCALE 1=1	MAT'L. DECAL - 080682		
THIS DRAWING IN DESIGN AND DETAIL IS OUR PROPERTY AND MUST NOT BE USED EXCEPT IN CONNECTION WITH OUR WORK ALL RIGHTS OF DESIGN AND INVENTION ARE RESERVED				ANGLES	± 1/2"	REF. 5403-01	FINISH LEESON	SIZE A	DRAWING NO. 005410-01
				INCH/MM		FMF 115100	CANADA		



**CERTIFICATION DATA SHEET**

**1051 CHEYENNE AVE.  
GRAFTON, WI 53024  
PH. 262-377-8810**

**CONN. DIAGRAM:** 005410.01

**CATALOG #:** 131601.00

**OUTLINE:** 035482-1150

**MOUNTING:** F1 ONLY

**WINDING #:** C8415 FR 4 A

**TYPICAL MOTOR PERFORMANCE DATA**

HP	kW	SYNC. RPM	F.L. RPM	FRAME	ENCLOSURE	KVA CODE	DESIGN
3	2.24	1500	1440	184T	TEFC	J	NO DESIGN CODE

PH	Hz	VOLTS	AMPS	START TYPE	DUTY	INSL	S.F.	AMB°C
1	50	220	15.9	ACROSS THE LINE	CONTINUOUS	F4	1.0	40

FULL LOAD EFF:	75.5	3/4 LOAD EFF:	75.6	1/2 LOAD EFF:	71.5	GTD. EFF	72	ELEC. TYPE	CAP START IND RUN
FULL LOAD PF:	79.8	3/4 LOAD PF:	72.7	1/2 LOAD PF:	60.9				

F.L. TORQUE	LOCKED ROTOR AMPS	L.R. TORQUE	B.D. TORQUE	F.L. RISE°C
10.8 LB-FT	101	30 LB-FT 278 %	23.9 LB-FT 221 %	119.6

SOUND PRESSURE @ 3 FT.	SOUND POWER	ROTOR WK^2	MAX. WK^2	SAFE STALL TIME	STARTS / HOUR	APPROX. MOTOR WGT
0 dBA	10 dBA	0.561 LB-FT^2	0.6 LB-FT^2	10 SEC.	0	101 LBS.

**\*\*\* SUPPLEMENTAL INFORMATION \*\*\***

DE BRACKET TYPE	ODE BRACKET TYPE	MOUNT TYPE	ORIENTATION	SEVERE DUTY	HAZARDOUS LOCATION	DRIP COVER	SCREENS	PAINT
STANDARD	STANDARD	RIGID	HORIZONTAL	FALSE	NONE	FALSE	NONE	BLUE - LEESON (ENAMEL)

BEARINGS		GREASE	SHAFT TYPE	SPECIAL DE	SPECIAL ODE	SHAFT MATERIAL	FRAME MATERIAL
DE	ODE						
BALL	BALL	POLYREX EM	T	NONE	NONE	AISI 1045 (C-240)	ROLLED STEEL
6206	6205						

THERMO-PROTECTORS				THERMISTORS	CONTROL	SPACE HEATERS
THERMOSTATS	PROTECTORS	WDG RTDs	BRG RTDs			
NONE	MANUAL	NONE	NONE	NONE	FALSE	NONE VOLTS

\*  
N  
O  
T  
E  
S

<b>INVERTER TORQUE:</b> NONE
<b>INV. HP SPEED RANGE:</b> NONE
<b>ENCODER:</b> NONE
NONE NONE
NONE NONE PPR
<b>BRAKE:</b> NONE NONE
NONE P/N NONE
NONE NONE
NONE FT-LB NONE V NONE Hz



**LEESON ELECTRIC CORPORATION**  
 TYPICAL PERFORMANCE CURVE for AC MOTOR

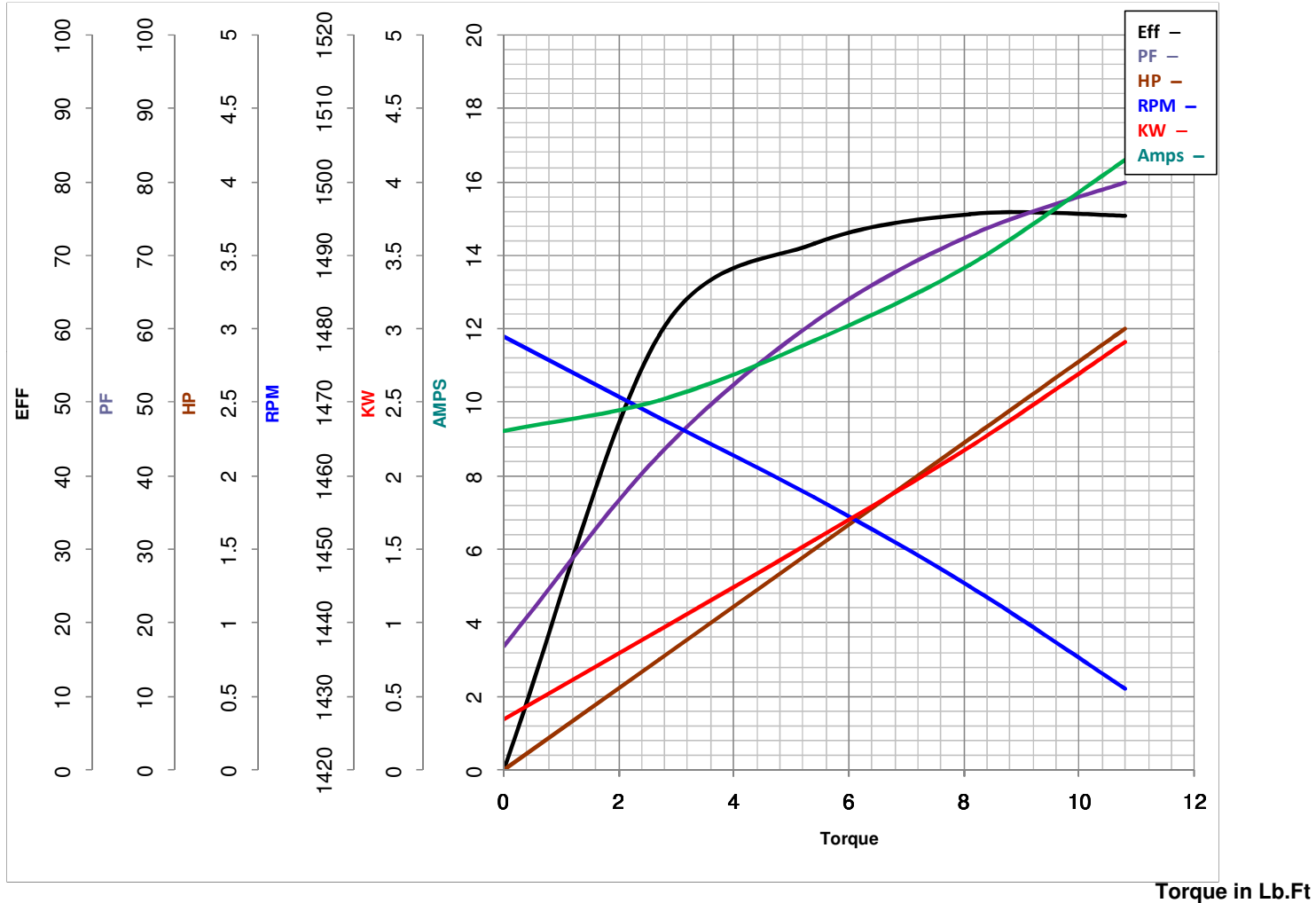
Curve at 220 Volts      HP 3.00      PHASE 1  
50 HZ  
3 HP      VOLTS 220

Model No 131601.00

Catalog No 131601.00

HZ 50

RPM 1440



FL TORQUE	<u>10.8</u>	Lb.Ft	FL AMPS	<u>15.9</u>	
BD TORQUE	<u>23.9</u>	Lb.Ft	PU TORQUE	<u>20.4</u>	Lb.Ft
LR TORQUE	<u>30</u>	Lb.Ft	LR AMPS	<u>101</u>	
WINDING	C8415-4		Date	4/12/2018	

## EC Declaration of Conformity

The undersigned representing  
the manufacturer:

Regal Beloit America  
100 East Randolph St.  
Wausau, WI 54401

and the authorized representative  
established within the Community:

Marathon Electric UK  
6F Thistleton Road Ind. Estate  
Market Overton  
Oakham, Rutland LE15 7PP UK

are committed to providing customers with products that comply with applicable regulations and international protocols to which they are subject, including the requirements of the European Parliament Directive on the Harmonization of the laws relating to electrical equipment designed for use within certain voltage limits (2014/35/EU).

Regal Beloit America declares that the following product(s), to which this declaration relates, are in conformity with the relevant sections of the EC standards listed below.

This statement supersedes any statements previously issued pertaining to the product(s) listed below and is subject to change without notice.

Model No : 131601.00

(Model No. may contain prefix and/or suffix characters)

Catalog No : 131601.00

Rework No : N/A

Directives :

Low Voltage Directive 2014/35/EU

Harmonized Standards Used :

EN 60034-1: 2010 (IEC 60034-1: 2010)

EN 60034-5: 2001/A1:2007 (IEC 60034-5: 2000/A1:2006)

Authorized Representative:



Michael A. Logsdon  
Vice President, Technology

Authorized Representative in the Community:



Julian Clark  
Marketing Engineer

Created on 09/01/2022

**CE 22**