

PRODUCT INFORMATION PACKET



Model No: 131557.00
Catalog No: 131557.00
Special Voltage Motor, 3 HP, 1 Ph, 50 Hz, 220 V, 1500 RPM, 184T Frame, TEFC



Regal and Leeson are trademarks of Regal Rexnord Corporation or one of its affiliated companies.
©2022 Regal Rexnord Corporation, All Rights Reserved. MC017097E





Nameplate Specifications

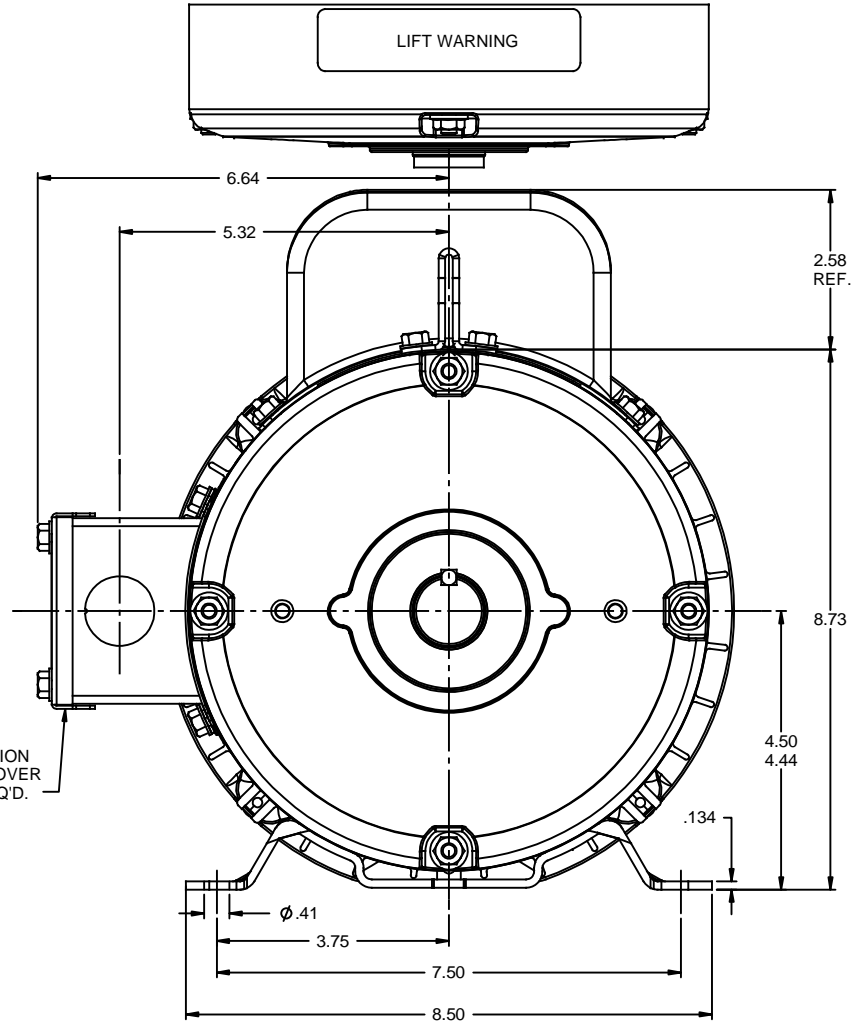
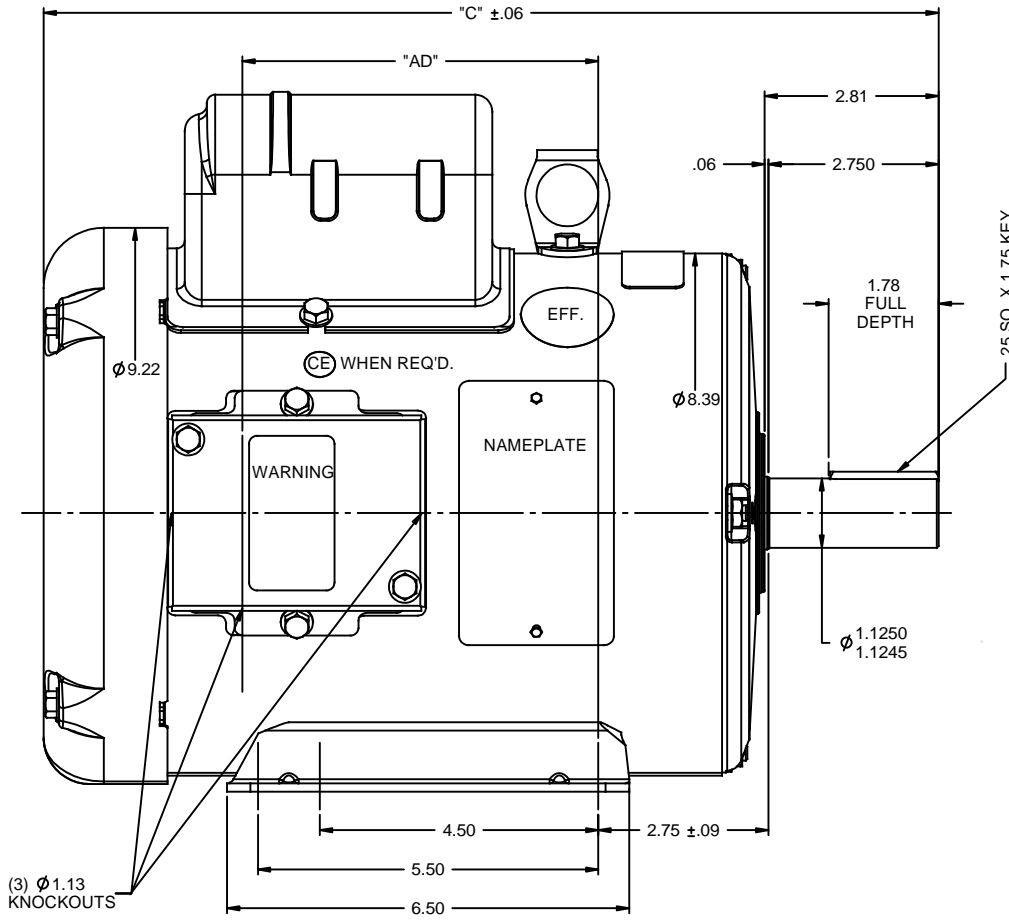
Output HP	3 Hp	Output KW	2.2 kW
Frequency	50 Hz	Voltage	220 V
Current	15.9 A	Speed	1440 rpm
Service Factor	1	Phase	1
Efficiency	79 %	Power Factor	80
Duty	Continuous	Insulation Class	F
Design Code	NO DESIGN CODE	KVA Code	J
Frame	184T	Enclosure	Totally Enclosed Fan Cooled
Thermal Protection	No Protection	Ambient Temperature	40 °C
Drive End Bearing Size	6206	Opp Drive End Bearing Size	6205
UL	Recognized	CSA	Y
CE	Y	IP Code	54
Number of Speeds	1		

Technical Specifications

Electrical Type	Capacitor Start Induction Run	Starting Method	Across The Line
Poles	4	Rotation	Selective Counterclockwise
Resistance Main	0 Ohms	Mounting	Rigid Base
Motor Orientation	Horizontal	Drive End Bearing	Ball
Opp Drive End Bearing	Ball	Frame Material	Rolled Steel
Shaft Type	T	Overall Length	16.96 in
Frame Length	11.50 in	Shaft Diameter	1.125 in
Shaft Extension	2.75 in	Assembly/Box Mounting	F1 ONLY
Outline Drawing	035352-1150	Connection Drawing	005403.01

This is an uncontrolled document once printed or downloaded and is subject to change without notice. Date Created:11/28/2022

RBC PROPRIETARY AND CONFIDENTIAL INFORMATION
 This document is the property of REGAL BELOIT CORPORATION ("RBC") including its subsidiaries and divisions and contains proprietary information of RBC. This document is loaned on the express condition that neither it nor the information contained therein shall be disclosed to others without the express written consent of RBC, and that the information shall be used by the recipient only as approved expressly by RBC. This document shall be returned to RBC upon its request. This document may be subject to certain restrictions under U.S. export control laws and regulations.

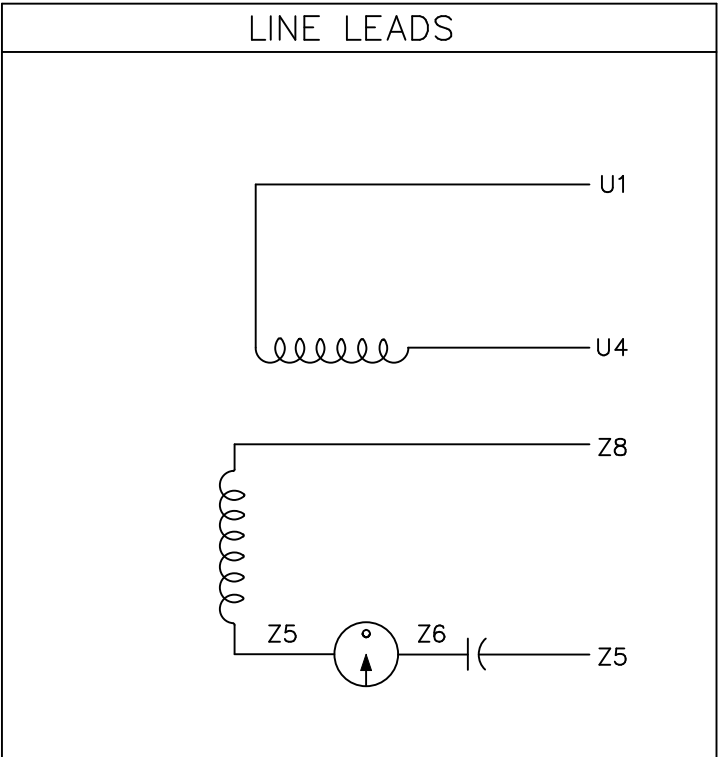
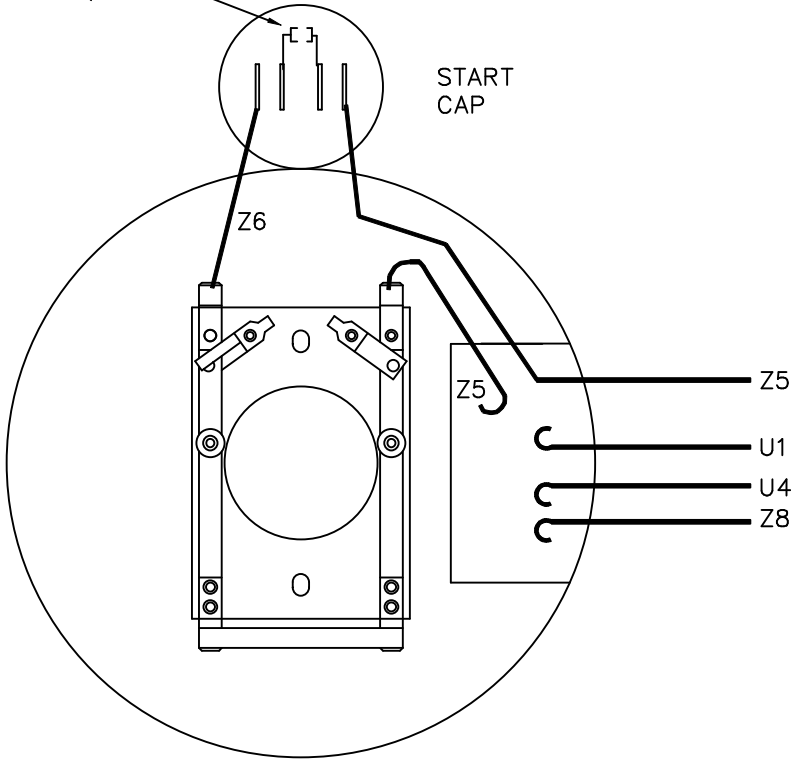


DASH NO.	"C"	"AD"
800	13.46	4.75
850	13.96	5.25
900	14.46	5.75
950	14.96	6.25
1000	15.46	6.75
1050	15.96	7.25
1100	16.46	7.75
1150	16.96	8.25
1200	17.46	8.75

GASKETS THROUGHOUT

		TOLERANCES UNLESS SPECIFIED:		DRAWN PG 6/20/97	
		DEC INCHES		CHK RK 6/20/97	
		X ±.1		APPR	
		.XX ±.03		TITLE OUTLINE - 180T FRAME	
		.XXX ±.005		TEFC - RIGID MOUNT	
- UPDATED & REDRAWN TO SOLIDWORKS		LST 12/15/2009		MATL	
NO		REVISION		BY & DATE	
		CHK ANG ±1/2°		FINISH	
		RFP		PREV	
THIRD ANGLE PROJECTION		NETWORK FILE NAME		SIZE DRAWING NO	
				B 035352	
				PAGE OF	
				REV	
				-	

RESISTOR WHEN REQUIRED



ROTATION FACING LEAD END	L1	L2
C.C.W. ROT.	U1, Z8	U4, Z5
C.W. ROT.	U1, Z5	U4, Z8

VIEW FROM OUTSIDE OF MOTOR AT SWITCH END. TYPE "C" W/O PROT. REF. DECAL 080670

				TOLERANCES UNLESS OTHERWISE SPECIFIED		LEESON ELECTRIC CORPORATION				
				DECIMALS						
				.00	± .01	DRAWN TMZ 04/14/97	TITLE			EXTERNAL WIRING DIAGRAM
				.000	± .005	CH'K'D.				TYPE "C" W/O PROTECTOR
				.0000	± .0005	APPR.	MAT'L.			
NO.	REVISION	BY	DATE	FRACTIONS	± 1/64	SCALE	1=2			
THIS DRAWING IN DESIGN AND DETAIL IS OUR PROPERTY AND MUST NOT BE USED EXCEPT IN CONNECTION WITH OUR WORK ALL RIGHTS OF DESIGN AND INVENTION ARE RESERVED				ANGLES	± 1/2°	REF.	5033-01	FINISH	SIZE	DRAWING NO.
				INCH/MM		FMF	121326	BABSON	A	005403-01



CERTIFICATION DATA SHEET

**1051 CHEYENNE AVE.
GRAFTON, WI 53024
PH. 262-377-8810**

CONN. DIAGRAM: 005403.01

CATALOG #: 131557.00

OUTLINE: 035352-1150

MOUNTING: F1 ONLY

WINDING #: C8415 FR 4 B

TYPICAL MOTOR PERFORMANCE DATA

HP	kW	SYNC. RPM	F.L. RPM	FRAME	ENCLOSURE	KVA CODE	DESIGN
3	2.24	1500	1440	184T	TEFC	J	NO DESIGN CODE

PH	Hz	VOLTS	AMPS	START TYPE	DUTY	INSL	S.F.	AMB°C
1	50	220	15.9	ACROSS THE LINE	CONTINUOUS	F4	1.0	40

FULL LOAD EFF:	79	3/4 LOAD EFF:	75.6	1/2 LOAD EFF:	71.5	GTD. EFF		ELEC. TYPE	
FULL LOAD PF:	80	3/4 LOAD PF:	72.7	1/2 LOAD PF:	60.9	75.5		CAP START IND RUN	

F.L. TORQUE	LOCKED ROTOR AMPS	L.R. TORQUE	B.D. TORQUE	F.L. RISE°C
10.8 LB-FT	101	30 LB-FT 278 %	23.9 LB-FT 221 %	119.6

SOUND PRESSURE @ 3 FT.	SOUND POWER	ROTOR WK^2	MAX. WK^2	SAFE STALL TIME	STARTS / HOUR	APPROX. MOTOR WGT
0 dBA	10 dBA	0.561 LB-FT^2	0.6 LB-FT^2	10 SEC.	0	101 LBS.

***** SUPPLEMENTAL INFORMATION *****

DE BRACKET TYPE	ODE BRACKET TYPE	MOUNT TYPE	ORIENTATION	SEVERE DUTY	HAZARDOUS LOCATION	DRIP COVER	SCREENS	PAINT
STANDARD	STANDARD	RIGID	HORIZONTAL	FALSE	NONE	FALSE	NONE	BLUE - LEESON (ENAMEL)

BEARINGS		GREASE	SHAFT TYPE	SPECIAL DE	SPECIAL ODE	SHAFT MATERIAL	FRAME MATERIAL
DE	ODE						
BALL	BALL	POLYREX EM	T	NONE	NONE	AISI 1045 (C-240)	ROLLED STEEL
6206	6205						

THERMO-PROTECTORS				THERMISTORS	CONTROL	SPACE HEATERS
THERMOSTATS	PROTECTORS	WDG RTDs	BRG RTDs			
NONE	NOT	NONE	NONE	NONE	FALSE	NONE VOLTS

*
N
O
T
E
S

INVERTER TORQUE: NONE
INV. HP SPEED RANGE: NONE
ENCODER: NONE
NONE NONE
NONE NONE PPR
BRAKE: NONE NONE
NONE P/N NONE
NONE NONE
NONE FT-LB NONE V NONE HZ



LEESON ELECTRIC CORPORATION
 TYPICAL PERFORMANCE CURVE for AC MOTOR

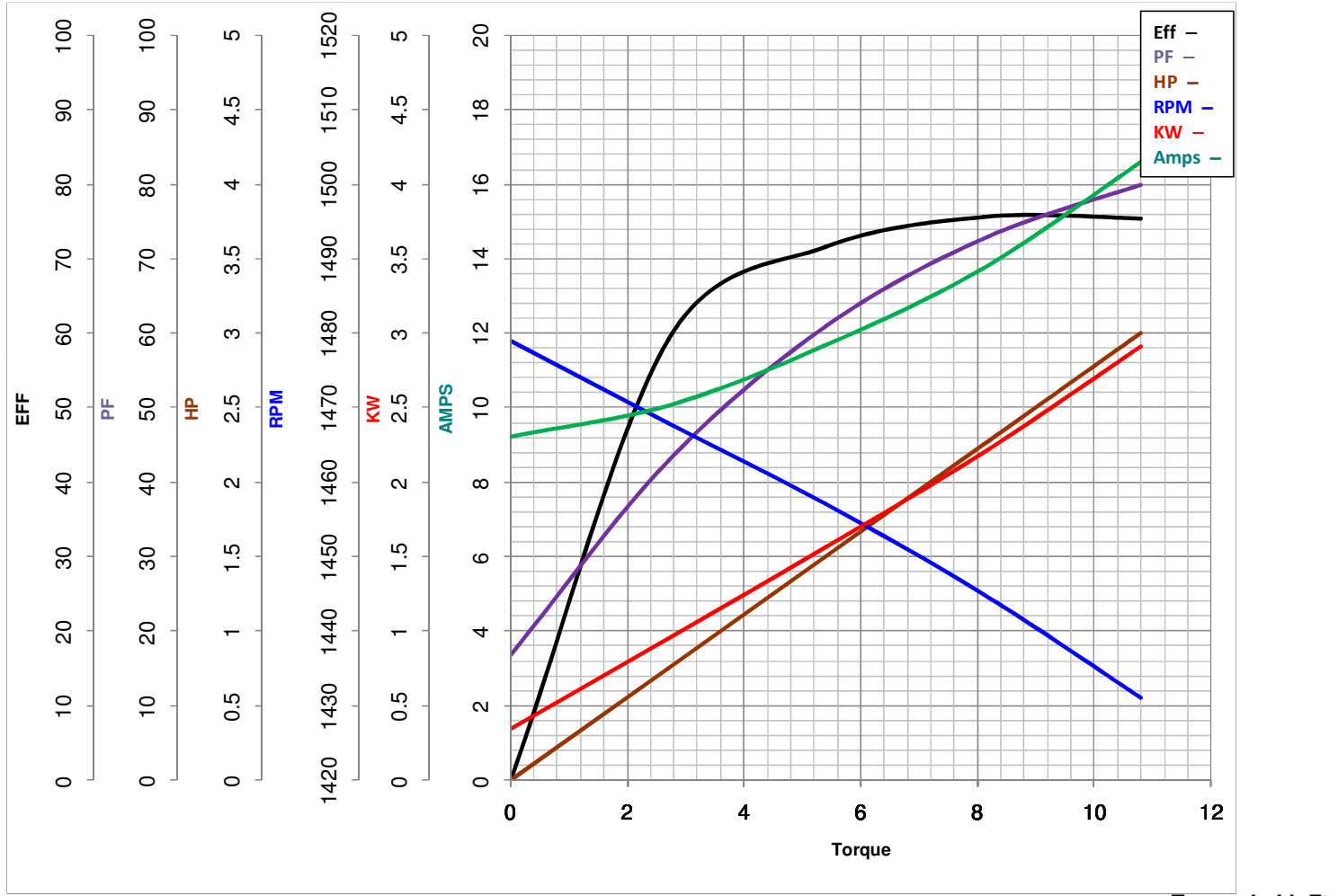
Curve at 220 Volts HP 3.00 PHASE 1
50 HZ
3 HP VOLTS 220

Model No 131557.00

Catalog No 131557.00

HZ 50

RPM 1440



FL TORQUE	<u>10.8</u>	Lb.Ft	FL AMPS	<u>15.9</u>	
BD TORQUE	<u>23.9</u>	Lb.Ft	PU TORQUE	<u>20.4</u>	Lb.Ft
LR TORQUE	<u>30</u>	Lb.Ft	LR AMPS	<u>101</u>	
WINDING	C8415-4		Date	<u>4/12/2018</u>	

EC Declaration of Conformity

The undersigned representing
the manufacturer:

Regal Beloit America
100 East Randolph St.
Wausau, WI 54401

and the authorized representative
established within the Community:

Marathon Electric UK
6F Thistleton Road Ind. Estate
Market Overton
Oakham, Rutland LE15 7PP UK

are committed to providing customers with products that comply with applicable regulations and international protocols to which they are subject, including the requirements of the European Parliament Directive on the Harmonization of the laws relating to electrical equipment designed for use within certain voltage limits (2014/35/EU).

Regal Beloit America declares that the following product(s), to which this declaration relates, are in conformity with the relevant sections of the EC standards listed below.

This statement supersedes any statements previously issued pertaining to the product(s) listed below and is subject to change without notice.

Model No : 131557.00

(Model No. may contain prefix and/or suffix characters)

Catalog No : 131557.00

Rework No : N/A

Directives :

Low Voltage Directive 2014/35/EU

Harmonized Standards Used :

EN 60034-1: 2010 (IEC 60034-1: 2010)

EN 60034-5: 2001/A1:2007 (IEC 60034-5: 2000/A1:2006)

Authorized Representative:



Michael A. Logsdon
Vice President, Technology

Authorized Representative in the Community:



Julian Clark
Marketing Engineer

Created on 09/01/2022

CE 22