

# PRODUCT INFORMATION PACKET



Model No: 131533.00

Catalog No: 131533.00

General Purpose Motor, 3 HP, 1 Ph, 60 Hz, 115/208-230 V, 1800 RPM, 184T Frame, TEFC



Regal and Leeson are trademarks of Regal Rexnord Corporation or one of its affiliated companies.

©2022 Regal Rexnord Corporation, All Rights Reserved. MC017097E





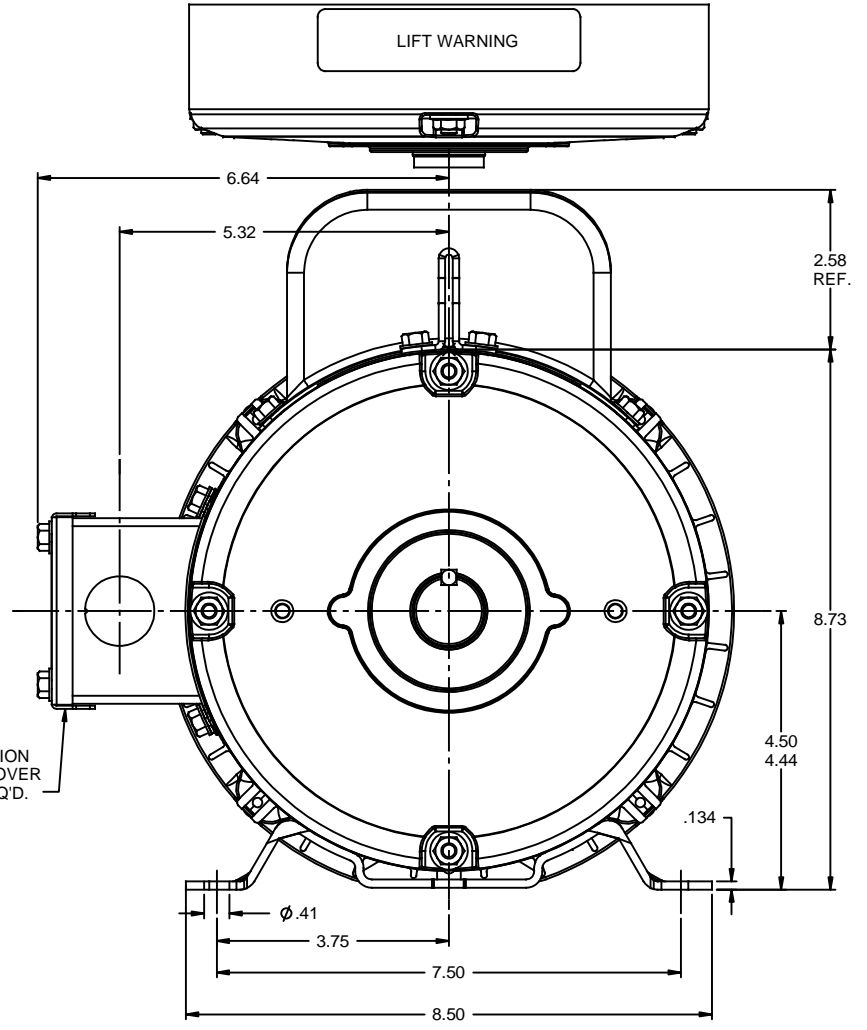
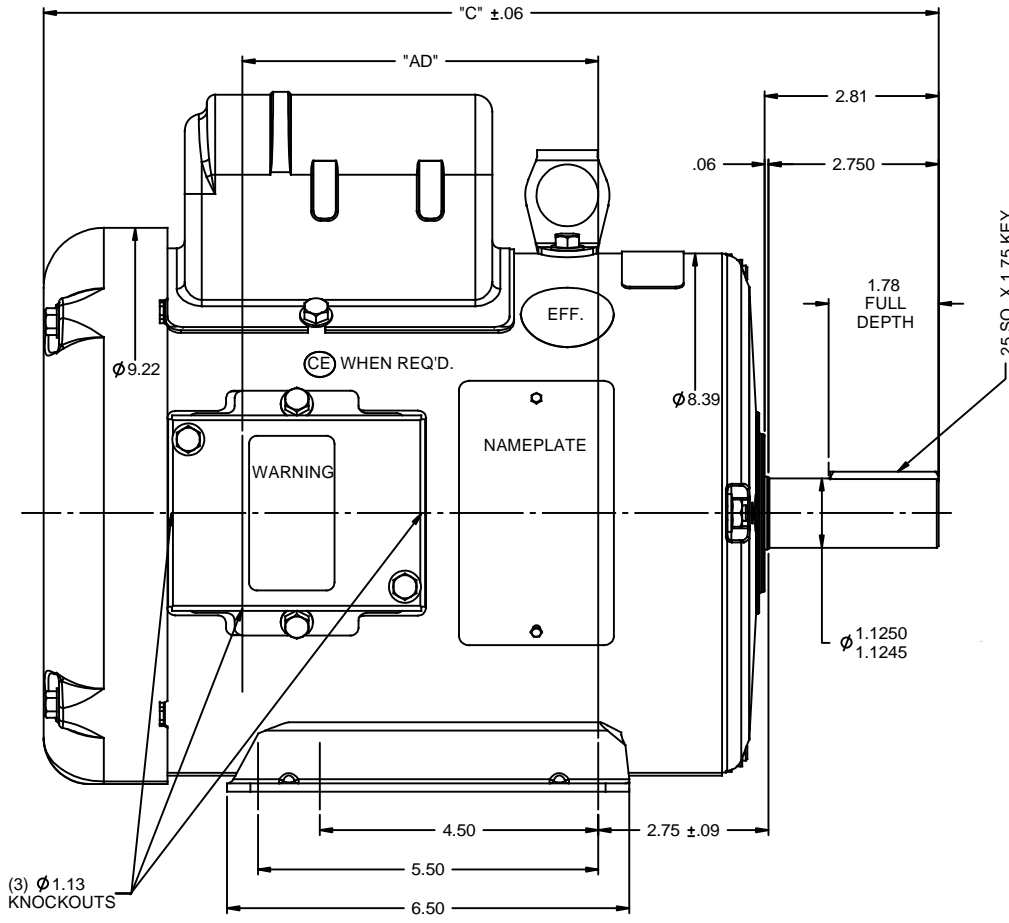
### Nameplate Specifications

Output HP	<b>3 Hp</b>	Output KW	<b>2.2 kW</b>
Frequency	<b>60 Hz</b>	Voltage	<b>115/208-230 V</b>
Current	<b>33.6/18.0-16.8 A</b>	Speed	<b>1740 rpm</b>
Service Factor	<b>1</b>	Phase	<b>1</b>
Efficiency	<b>77 %</b>	Power Factor	<b>75</b>
Duty	<b>Continuous</b>	Insulation Class	<b>F</b>
Design Code	<b>L</b>	KVA Code	<b>J</b>
Frame	<b>184T</b>	Enclosure	<b>Totally Enclosed Fan Cooled</b>
Thermal Protection	<b>No Protection</b>	Ambient Temperature	<b>40 °C</b>
Drive End Bearing Size	<b>6206</b>	Opp Drive End Bearing Size	<b>6205</b>
UL	<b>Recognized</b>	CSA	<b>Y</b>
CE	<b>N</b>	IP Code	<b>43</b>
Number of Speeds	<b>1</b>		

### Technical Specifications

Electrical Type	<b>Capacitor Start Induction Run</b>	Starting Method	<b>Across The Line</b>
Poles	<b>4</b>	Rotation	<b>Selective Counterclockwise</b>
Resistance Main	<b>.642 Ohms</b>	Mounting	<b>Rigid Base</b>
Motor Orientation	<b>Horizontal</b>	Drive End Bearing	<b>Ball</b>
Opp Drive End Bearing	<b>Ball</b>	Frame Material	<b>Rolled Steel</b>
Shaft Type	<b>T</b>	Overall Length	<b>16.46 in</b>
Frame Length	<b>11.00 in</b>	Shaft Diameter	<b>1.125 in</b>
Shaft Extension	<b>2.75 in</b>	Assembly/Box Mounting	<b>F1 ONLY</b>
Outline Drawing	<b>035352-1100</b>	Connection Drawing	<b>005062.01</b>

RBC PROPRIETARY AND CONFIDENTIAL INFORMATION  
 This document is the property of REGAL BELOIT CORPORATION ("RBC") including its subsidiaries and divisions and contains proprietary information of RBC. This document is loaned on the express condition that neither it nor the information contained therein shall be disclosed to others without the express written consent of RBC, and that the information shall be used by the recipient only as approved expressly by RBC. This document shall be returned to RBC upon its request. This document may be subject to certain restrictions under U.S. export control laws and regulations.



(3) Ø1.13 KNOCKOUTS

DASH NO.	"C"	"AD"
800	13.46	4.75
850	13.96	5.25
900	14.46	5.75
950	14.96	6.25
1000	15.46	6.75
1050	15.96	7.25
1100	16.46	7.75
1150	16.96	8.25
1200	17.46	8.75

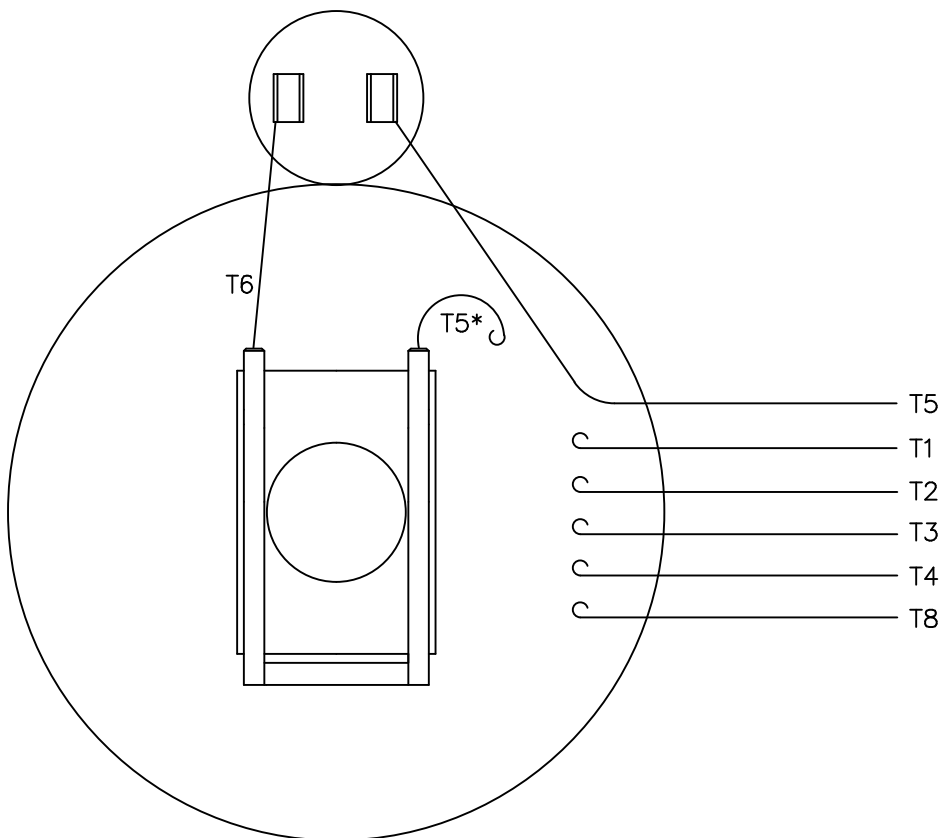
GASKETS THROUGHOUT

REVISION		BY & DATE	CHK	ANG	FINISH	PREV	SIZE	DRAWING NO	REV
- UPDATED & REDRAWN TO SOLIDWORKS		LST 12/15/2009	XX	XXX	±.0005	MATL			
NO			RFP	±1/2"			B	035352	-

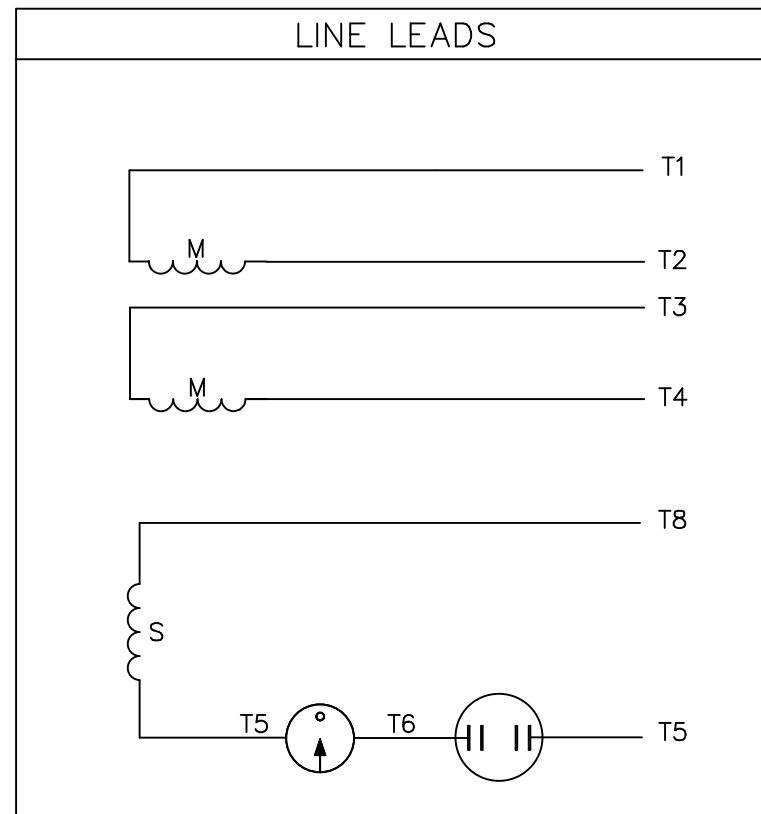
  

TOLERANCES UNLESS SPECIFIED		DRAWN PG 6/20/97	
DEC	INCHES	CHK	RK 6/20/97
X	±.1	APPR	
.XX	±.03	TITLE	OUTLINE - 180T FRAME
.XXX	±.005	REF	TEFC - RIGID MOUNT
.XXXX	±.0005	FMF	
THIRD ANGLE PROJECTION		PAGE OF	
NETWORK FILE NAME		REV	

VIEW FROM OUTSIDE OF MOTOR AT SWITCH END.



\* THIS LEAD MAY BE WHITE



	ROTATION FACING LEAD END	L1	L2	JOIN
HIGH VOLT	C.C.W.	T1	T4 T5	T2, T3 T8
	C.W.	T1	T4 T8	T2, T3 T5
LOW VOLT	C.C.W.	T1, T3 T8	T2, T4 T5	---
	C.W.	T1, T3 T5	T2, T4 T8	---

NO.	REVISION	BY & DATE	CHK	TOLERANCES UNLESS SPECIFIED	
				DEC.	INCHES
				.X	±.1
12	ALTERNATE T5 LEAD MARKING WAS RED	RLW 8/6/02	.XX	±.01	
11	ADDED ALTERNATE T5 LEAD MARKING	RLW 5/31/02	KH	.XXX	±.005
10	UPDATED TO CURRENT STANDARDS	DBT 06/09/97		.XXXX	±.0005
				ANG	±1/2°



ELECTRIC MOTORS  
GEARMOTORS  
AND DRIVES

DRAWN	JRW 12/05/74
CHK	
APPD	T.E.M.
SCALE	1=1
REF	A-005061
FMF	
PREV	

TITLE	EXT. WIRING DIAGRAM TYPE "C" W/O PROTECTOR
MAT'L.	DECAL - 004012
FINISH	

THIS DRAWING IN DESIGN AND DETAIL IS OUR PROPERTY AND MUST NOT BE USED EXCEPT IN CONNECTION WITH OUR WORK ALL RIGHTS OF DESIGN AND INVENTION ARE RESERVED THIS IS AN ELECTRONICALLY GENERATED DOCUMENT - DO NOT SCALE THIS PRINT	RFP	CAD FILE	00506201	SIZE	DRAWING NO.	REV.
	DIST	NLV		A	005062-01	12



1051 CHEYENNE AVE.  
GRAFTON, WI 53024  
PH. 262-377-8810

**CERTIFICATION DATA SHEET**

CONN. DIAGRAM: 005062.01  
OUTLINE: 035352-1100  
WINDING #: C8427 FR 3 A

CATALOG #: 131533.00  
MOUNTING: F1 ONLY

**TYPICAL MOTOR PERFORMANCE DATA**

HP	kW	SYNC. RPM	F.L. RPM	FRAME	ENCLOSURE	KVA CODE	DESIGN
3	2.24	1800	1740	184T	TEFC	J	L

PH	Hz	VOLTS	AMPS	START TYPE	DUTY	INSL	S.F.	AMB°C
1	60	115/208-230	33.6/18-16.8	ACROSS THE LINE	CONTINUOUS	F4	1.0	40

FULL LOAD EFF:	77	3/4 LOAD EFF:	74.2	1/2 LOAD EFF:	70.9	GTD. EFF	ELEC. TYPE
FULL LOAD PF:	75	3/4 LOAD PF:	72.5	1/2 LOAD PF:	61.7	74	CAP START IND RUN

F.L. TORQUE	LOCKED ROTOR AMPS	L.R. TORQUE	B.D. TORQUE	F.L. RISE°C
9 LB-FT	200 / 100	24 LB-FT 267 %	19.5 LB-FT 217 %	75

SOUND PRESSURE @ 3 FT.	SOUND POWER	ROTOR WK^2	MAX. WK^2	SAFE STALL TIME	STARTS / HOUR	APPROX. MOTOR WGT
0 dBA	10 dBA	0.51 LB-FT^2	0.5 LB-FT^2	0 SEC.	0	86 LBS.

**\*\*\* SUPPLEMENTAL INFORMATION \*\*\***

DE BRACKET TYPE	ODE BRACKET TYPE	MOUNT TYPE	ORIENTATION	SEVERE DUTY	HAZARDOUS LOCATION	DRIP COVER	SCREENS	PAINT
STANDARD	STANDARD	RIGID	HORIZONTAL	FALSE	NONE	FALSE	NONE	BLUE - LEESON (ENAMEL)

BEARINGS		GREASE	SHAFT TYPE	SPECIAL DE	SPECIAL ODE	SHAFT MATERIAL	FRAME MATERIAL
DE	ODE						
BALL	BALL	POLYREX EM	T	NONE	NONE	AISI 1045 (C-240)	ROLLED STEEL
6206	6205						

THERMO-PROTECTORS				THERMISTORS	CONTROL	SPACE HEATERS
THERMOSTATS	PROTECTORS	WDG RTDs	BRG RTDs			
NONE	NOT	NONE	NONE	NONE	FALSE	NONE VOLTS

<b>INVERTER TORQUE:</b> NONE <b>INV. HP SPEED RANGE:</b> NONE
<b>ENCODER:</b> NONE NONE NONE NONE NONE PPR
<b>BRAKE:</b> NONE NONE NONE P/N NONE NONE NONE NONE FT-LB NONE V NONE Hz

\*  
N  
O  
T  
E  
S  
\*



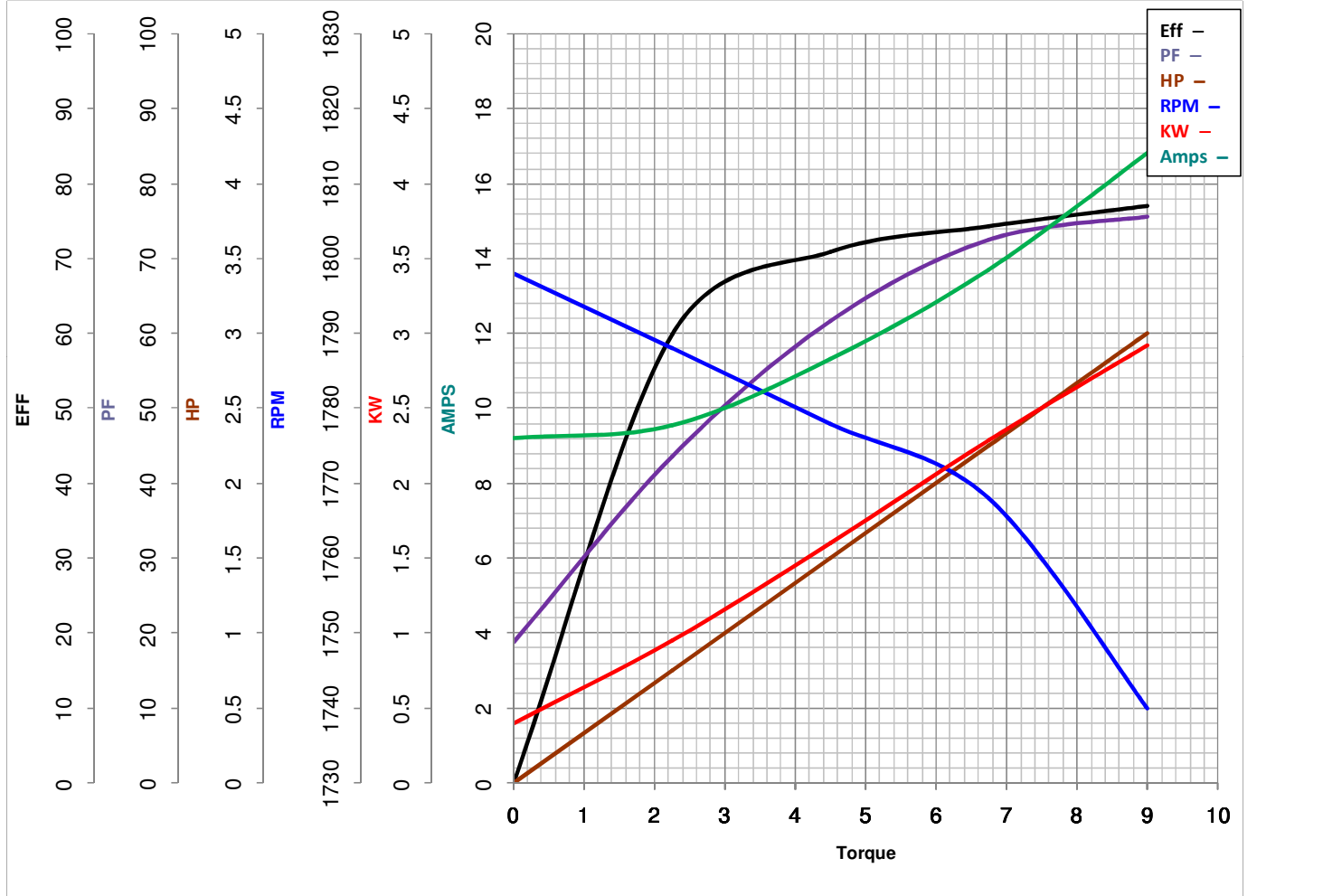
**LEESON ELECTRIC CORPORATION**  
 TYPICAL PERFORMANCE CURVE for AC MOTOR

Model No 131533.00

Curve at 230 Volts      HP 3.00      PHASE 1  
60 HZ  
3 HP      VOLTS 115/208-230

Catalog No 131533.00

HZ 60      RPM 1740



<b>FL TORQUE</b>	<u>9</u>	<b>Lb.Ft</b>	<b>FL AMPS</b>	<u>33.6/18-16.8</u>
<b>BD TORQUE</b>	<u>19.5</u>	<b>Lb.Ft</b>	<b>PU TORQUE</b>	<u>17.6</u> <b>Lb.Ft</b>
<b>LR TORQUE</b>	<u>24</u>	<b>Lb.Ft</b>	<b>LR AMPS</b>	<u>100</u>
<b>WINDING</b>	<u>C8427-3</u>		<b>Date</b>	<u>3/27/2018</u>