

# PRODUCT INFORMATION PACKET



Model No: 131526.00

Catalog No: 131526.00

General Purpose Motor, 1.50 HP, 1 Ph, 60 Hz, 115/208-230 V, 1200 RPM, 184T Frame, TEFC



Regal and Leeson are trademarks of Regal Rexnord Corporation or one of its affiliated companies.

©2023 Regal Rexnord Corporation, All Rights Reserved. MC017097E



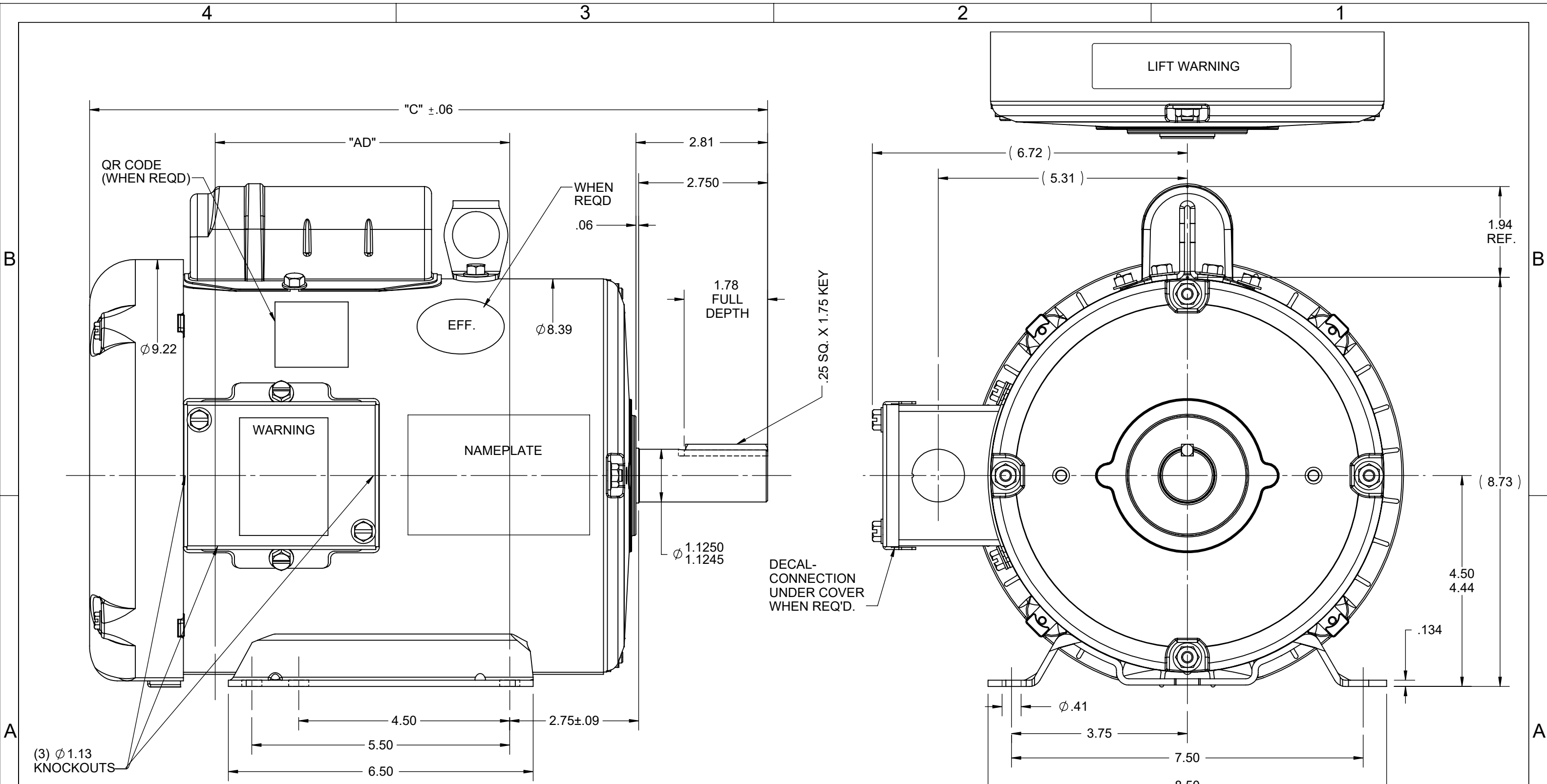


### Nameplate Specifications

Phase	1	Output HP	1.50 Hp
Output KW	1.1 kW	Voltage	115/208-230 V
Speed	1140 rpm	Service Factor	1.00
Frame	184T	Enclosure	Totally Enclosed Fan Cooled
Thermal Protection	No Protection	Efficiency	67 %
Ambient Temperature	40 °C	Frequency	60 Hz
Current	22.0/11.0 A	Power Factor	65
Duty	Continuous	Insulation Class	F
Design Code	L	KVA Code	J
Drive End Bearing Size	6206	Opp Drive End Bearing Size	6205
UL	Recognized	CSA	Y
CE	N	IP Code	43
Number of Speeds	1		

### Technical Specifications

Electrical Type	Capacitor Start Induction Run	Starting Method	Across The Line
Poles	6	Rotation	Selective Counterclockwise
Resistance Main	.31 Ohms	Mounting	Rigid Base
Motor Orientation	Horizontal	Drive End Bearing	Ball
Opp Drive End Bearing	Ball	Frame Material	Rolled Steel
Shaft Type	T	Overall Length	15.46 in
Frame Length	10.00 in	Shaft Diameter	1.125 in
Shaft Extension	2.75 in	Assembly/Box Mounting	F1 ONLY
Connection Drawing	EE7085FP	Outline Drawing	035347-1000



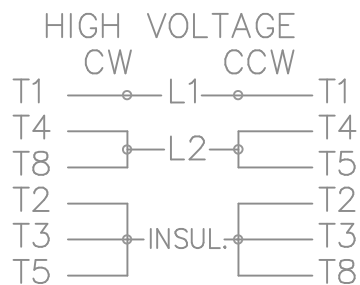
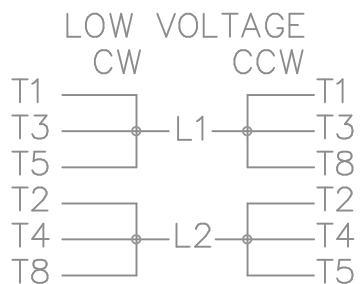
DASH NO.	"C"	"AD"
800	13.46	4.75
850	13.96	5.25
900	14.46	5.75
950	14.96	6.25
1000	15.46	6.75
1050	15.96	7.25
1100	16.46	7.75
1150	16.96	8.25

DRAWING REVISION D	REVISION BY JG	REV DATE/© DATE 28/03/2023
REQUEST NUMBER NMR-0218396	APPROVED BY TS	DATE 28/03/2023
REQUEST NUMBER DESCRIPTION <b>UPDATED DRAWING</b>		
<small>COPYRIGHT (PER REVISION DATE) REGAL BELOIT AMERICA, INC. ALL RIGHTS RESERVED. PROPRIETARY AND CONFIDENTIAL INFORMATION - THIS DOCUMENT IS THE PROPERTY OF REGAL BELOIT AMERICA, INC. ("OWNER") AND CONTAINS OWNER'S PROPRIETARY INFORMATION. ANY PERSON, CORPORATION OR OTHER FIRM RECEIVING IT IS DEEMED, BY RECEIVING IT, TO AGREE THAT IT, AND/OR ANY PART OF IT, SHALL NOT BE DISCLOSED TO ANY PERSON, CORPORATION OR OTHER ENTITY, DUPLICATED, AND/OR USED, EXCEPT AS EXPRESSLY APPROVED IN WRITING IN ADVANCE BY OWNER. THIS DOCUMENT SHALL BE RETURNED TO OWNER UPON REQUEST. IT MAY BE SUBJECT TO CERTAIN RESTRICTIONS UNDER APPLICABLE EXPORT CONTROL LAWS AND REGULATIONS.</small>		

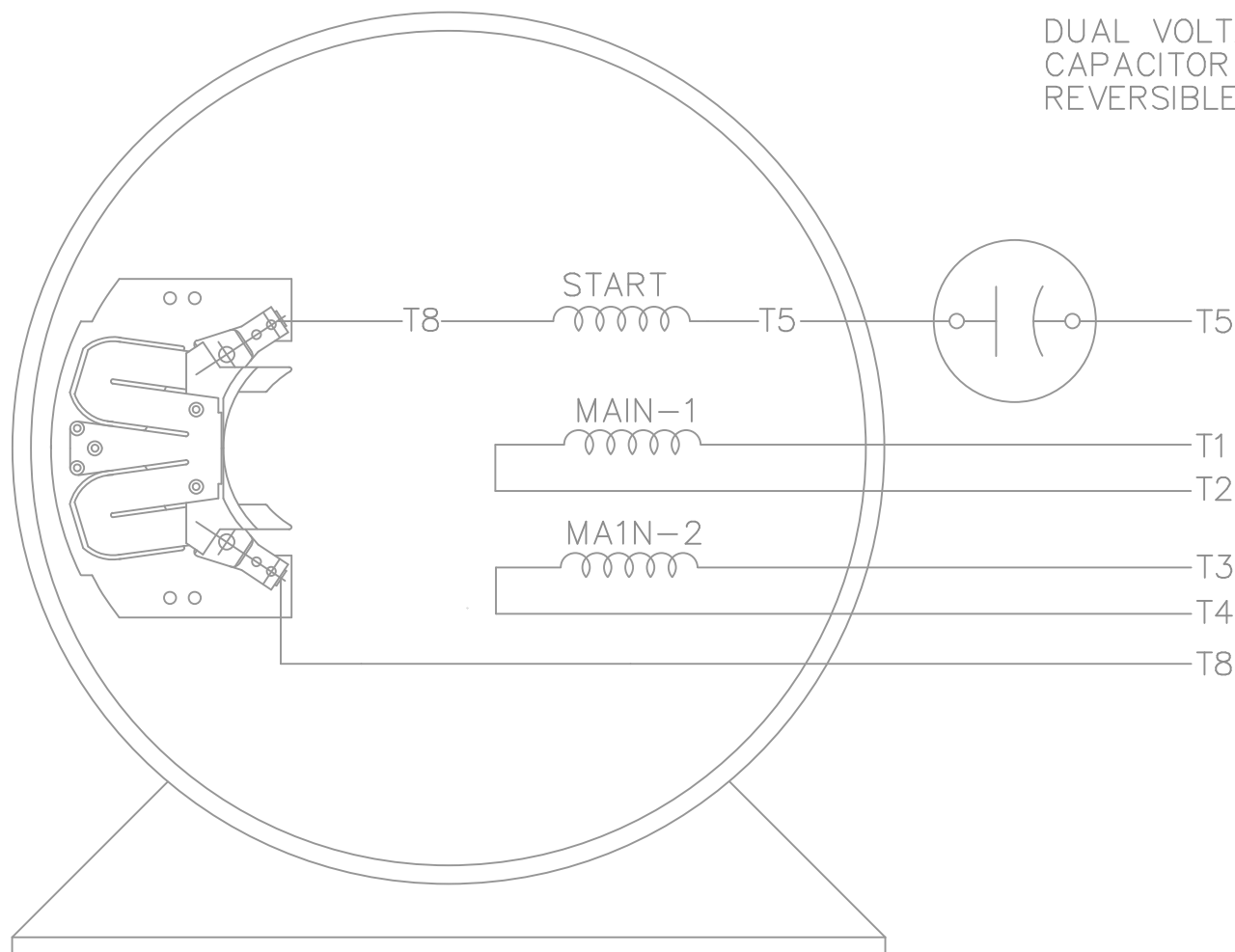
TOLERANCES (EXCEPT AS NOTED):  
 DEC. INCH mm ANGLE  
 .X ±0.1 [±3] ±0.5°  
 .XX ±0.01 [±0.3]  
 .XXX ±0.005 [±0.13]  
 .XXXX ±0.0005 [±0.013]  
 REMOVE BURRS & BREAK SHARP EDGES: .003/.015 [.08/.38] X 45°  
 CORNER FILLETS: R.02 [.5]  
 MACHINED SURFACES: 125/3.2 INCH/mm  
 mm DIMENSIONS IN [BRACKETS] ARE FOR REFERENCE ONLY

DRAWN BY PG	DATE 6/15/97
APPROVED BY	DATE
REFERENCE	THIRD ANGLE PROJECTION

		Regal Beloit America, Inc.	
		DESCRIPTION <b>OUTLINE</b> TEFC - RIGID MOUNT	
SIZE <b>B</b>	DRAWING NUMBER <b>035347</b>	PROCESS/FINISH	
		SHEET 1 OF 1	



DUAL VOLTAGE  
CAPACITOR START  
REVERSIBLE



VIEW OF TERMINAL END

			TOLERANCES UNLESS SPECIFIED			DRAWN GK 09-24-1986			
			DEC.	INCHES		CHK FG 09-24-1986			
			.X	± -	TITLE CONNECTION DIAGRAM	APPD ML 09-24-1986			
			.XX	± -		SCALE 1=1			
2	REDRAWN IN AUTOCAD	RWR 08-02-2004	.XXX	± -	MAT'L.	REF			
1	NEW DRAWING CN7664C	GK 12-15-1996	.XXXX	± -		FINISH	FMF		
NO.	REVISION	BY & DATE	CHK	ANG	± -	PREV			
THIS DRAWING IN DESIGN AND DETAIL IS OUR PROPERTY AND MUST NOT BE USED EXCEPT IN CONNECTION WITH OUR WORK ALL RIGHTS OF DESIGN AND INVENTION ARE RESERVED THIS IS AN ELECTRONICALLY GENERATED DOCUMENT - DO NOT SCALE THIS PRINT			RFP	CAD FILE EE7085FP		SIZE A	DRAWING NO. EE7085FP	PAGE 1 OF 1	REV. 2
			DIST LB						



**1051 CHEYENNE AVE.  
GRAFTON, WI 53024  
PH. 262-377-8810**

**CERTIFICATION DATA SHEET**

**CATALOG #:** 131526.00

**CONN. DIAGRAM:** 005062.01

**OUTLINE:** 035347-1000

**MOUNTING:** F1 ONLY

**WINDING #:** C862 3 A

**TYPICAL MOTOR PERFORMANCE DATA**

HP	kW	SYNC. RPM	F.L. RPM	FRAME	ENCLOSURE	KVA CODE	DESIGN
1 1/2	1.12	1200	1140	184T	TEFC	J	L

PH	Hz	VOLTS	AMPS	START TYPE	DUTY	INSL	S.F.	AMB°C
1	60	115/208-230	22/11	ACROSS THE LINE	CONTINUOUS	F4	1.0	40

FULL LOAD EFF:	67	3/4 LOAD EFF:	65.7	1/2 LOAD EFF:	59.3	GTD. EFF		ELEC. TYPE	
FULL LOAD PF:	65	3/4 LOAD PF:	57.5	1/2 LOAD PF:	46.5	62		CAP START IND RUN	

F.L. TORQUE	LOCKED ROTOR AMPS	L.R. TORQUE	B.D. TORQUE	F.L. RISE°C
6.75 LB-FT	101.4 / 50.7	15.4 LB-FT 228 %	14.5 LB-FT 215 %	84.6

SOUND PRESSURE @ 3 FT.	SOUND POWER	ROTOR WK^2	MAX. WK^2	SAFE STALL TIME	STARTS / HOUR	APPROX. MOTOR WGT
0 dBA	10 dBA	0.408 LB-FT^2	0.4 LB-FT^2	0 SEC.	0	75 LBS.

**\*\*\* SUPPLEMENTAL INFORMATION \*\*\***

DE BRACKET TYPE	ODE BRACKET TYPE	MOUNT TYPE	ORIENTATION	SEVERE DUTY	HAZARDOUS LOCATION	DRIP COVER	SCREENS	PAINT
STANDARD	STANDARD	RIGID	HORIZONTAL	FALSE	NONE	FALSE	NONE	BLUE - LEESON (ENAMEL)

BEARINGS		GREASE	SHAFT TYPE	SPECIAL DE	SPECIAL ODE	SHAFT MATERIAL	FRAME MATERIAL
DE	ODE						
BALL	BALL	POLYREX EM	T	NONE	NONE	AISI 1045 (C-240)	ROLLED STEEL
6206	6205						

THERMO-PROTECTORS				THERMISTORS	CONTROL	SPACE HEATERS
THERMOSTATS	PROTECTORS	WDG RTDs	BRG RTDs			
NONE	NOT	NONE	NONE	NONE	FALSE	NONE VOLTS

\*  
N  
O  
T  
E  
S

<b>INVERTER TORQUE:</b> NONE
<b>INV. HP SPEED RANGE:</b> NONE
<b>ENCODER:</b> NONE
NONE NONE
NONE NONE PPR
<b>BRAKE:</b> NONE NONE
NONE P/N NONE
NONE NONE
NONE FT-LB NONE V NONE HZ

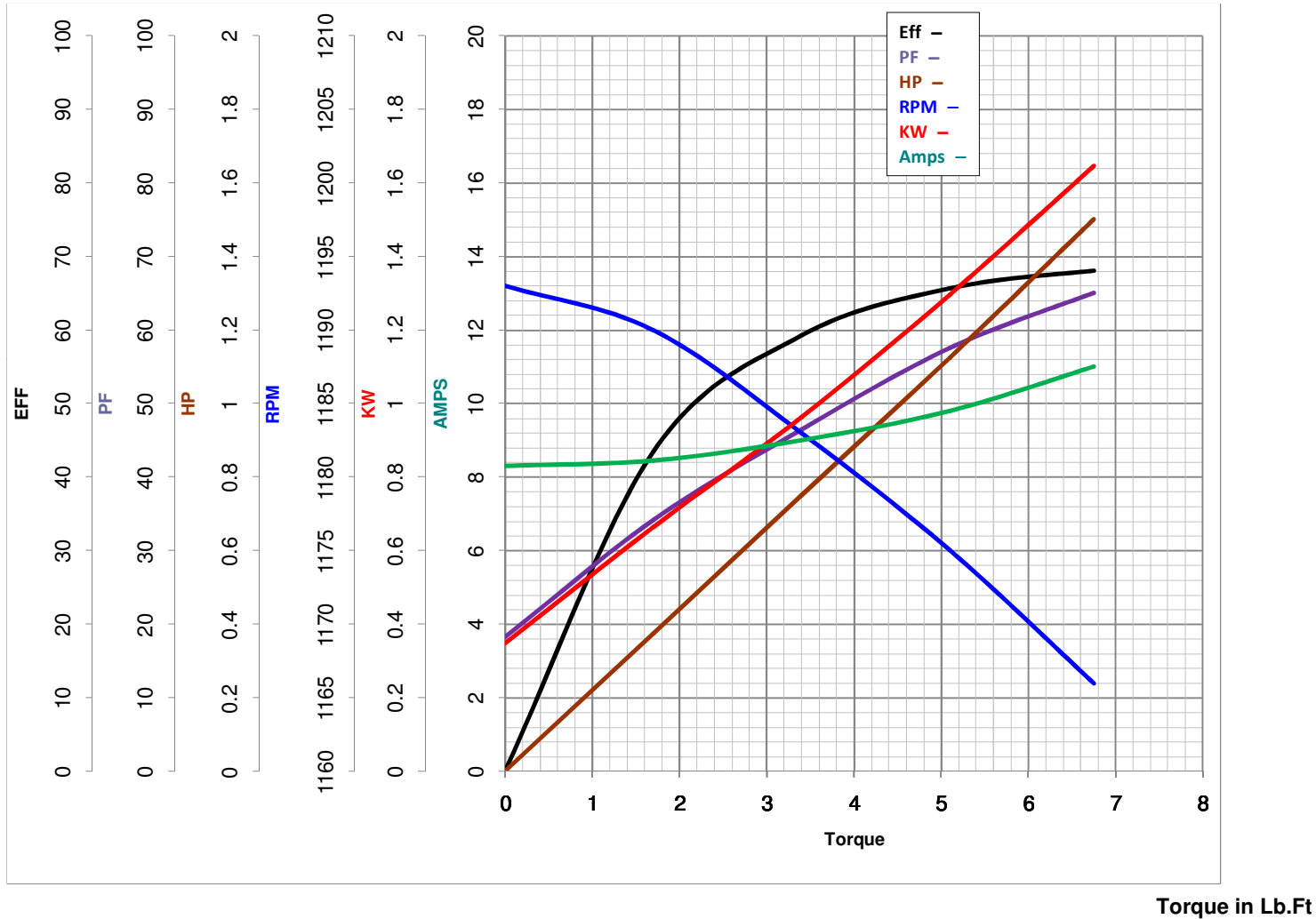


**LEESON ELECTRIC CORPORATION**  
 TYPICAL PERFORMANCE CURVE for AC MOTOR

Model No 131526.00

Catalog No 131526.00

Curve at 230 Volts      HP 1.50      PHASE 1  
60 HZ  
1.5 HP      VOLTS 115/208-230  
    HZ 60      RPM 1140



**FL TORQUE** 6.75 Lb.Ft  
**BD TORQUE** 14.5 Lb.Ft  
**LR TORQUE** 15.4 Lb.Ft

**FL AMPS** 22/11  
**PU TORQUE** 11.0 Lb.Ft  
**LR AMPS** 50.7

**WINDING** C862-3

**Date** 4/9/2018