

PRODUCT INFORMATION PACKET



Model No: 131515.00

Catalog No: 131515.00

Air Compressor Motor, 2 HP, 1 Ph, 60 Hz, 115/208-230 V, 1800 RPM, 182T Frame, DP



Regal and Leeson are trademarks of Regal Rexnord Corporation or one of its affiliated companies.

©2022 Regal Rexnord Corporation, All Rights Reserved. MC017097E





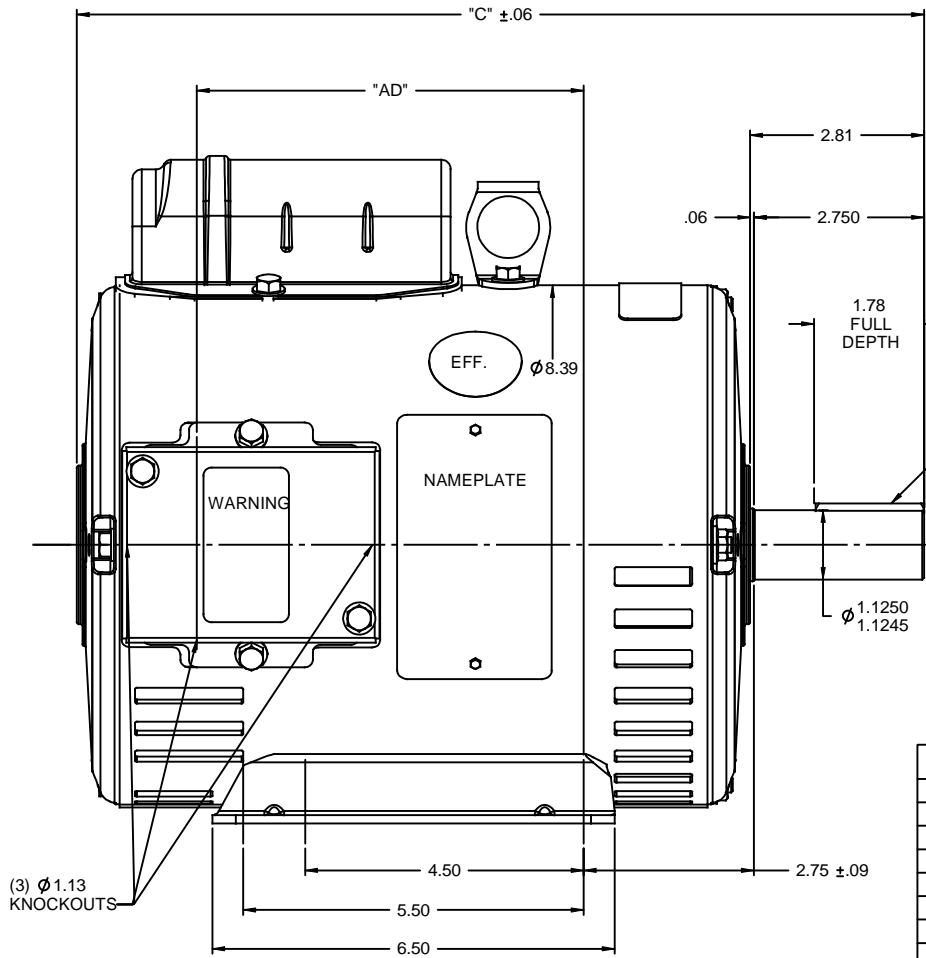
Nameplate Specifications

Output HP	2 Hp	Output KW	1.5 kW
Frequency	60 Hz	Voltage	115/208-230 V
Current	24.5/13.0-12.4 A	Speed	1740 rpm
Service Factor	1.15	Phase	1
Efficiency	72 %	Power Factor	74
Duty	Continuous	Insulation Class	F
Design Code	L	KVA Code	K
Frame	182T	Enclosure	Drip Proof
Thermal Protection	No Protection	Ambient Temperature	40 °C
Drive End Bearing Size	6206	Opp Drive End Bearing Size	6205
UL	Recognized	CSA	Y
CE	N	IP Code	22
Number of Speeds	1		

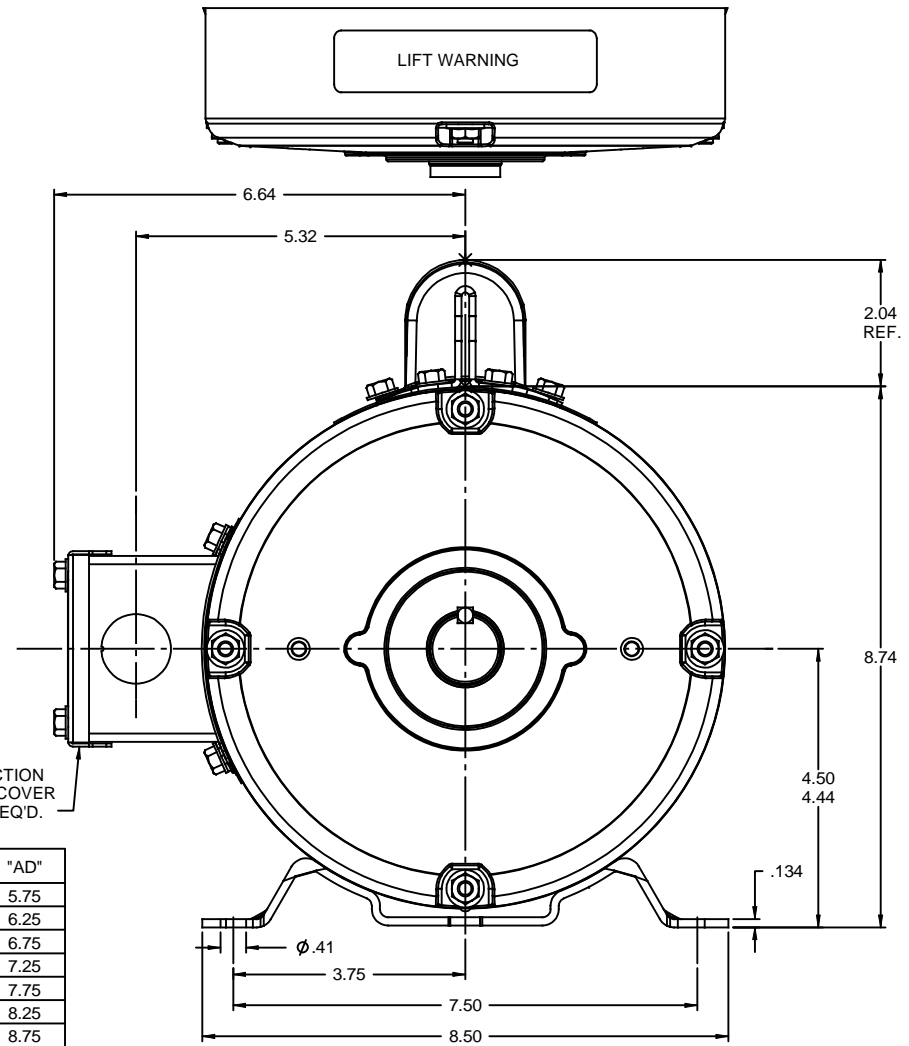
Technical Specifications

Electrical Type	Capacitor Start Induction Run	Starting Method	Across The Line
Poles	4	Rotation	Selective Counterclockwise
Resistance Main	0 Ohms	Mounting	Rigid Base
Motor Orientation	Horizontal	Drive End Bearing	Ball
Opp Drive End Bearing	Ball	Frame Material	Rolled Steel
Shaft Type	T	Overall Length	13.19 in
Frame Length	9.00 in	Shaft Diameter	1.125 in
Shaft Extension	2.75 in	Assembly/Box Mounting	F1 ONLY
Connection Drawing	005062.01	Outline Drawing	035348-900

RBC PROPRIETARY AND CONFIDENTIAL INFORMATION
 This document is the property of REGAL BELOIT CORPORATION ("RBC") including its subsidiaries and divisions and contains proprietary information of RBC. This document is loaned on the express condition that neither it nor the information contained therein shall be disclosed to others without the express written consent of RBC, and that the information shall be used by the recipient only as approved expressly by RBC. This document shall be returned to RBC upon its request. This document may be subject to certain restrictions under U.S. export control laws and regulations.

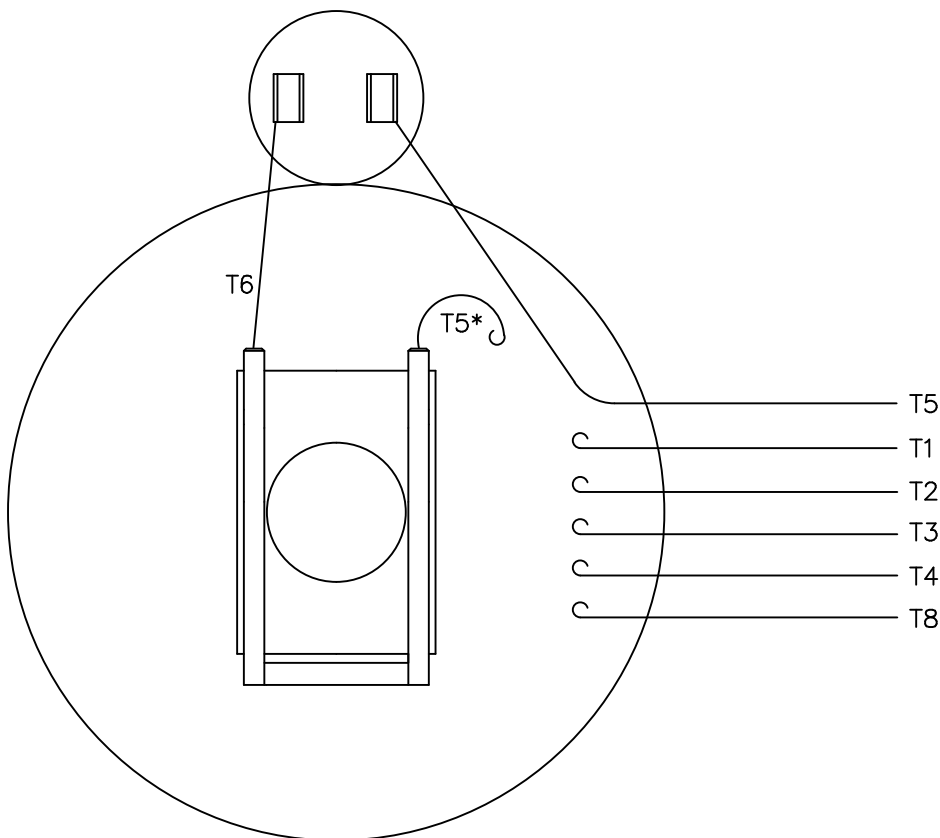


DASH NO.	"C"	"AD"
900	13.19	5.75
950	13.69	6.25
1000	14.19	6.75
1050	14.69	7.25
1100	15.19	7.75
1150	15.69	8.25
1200	16.19	8.75
1250	16.69	9.25

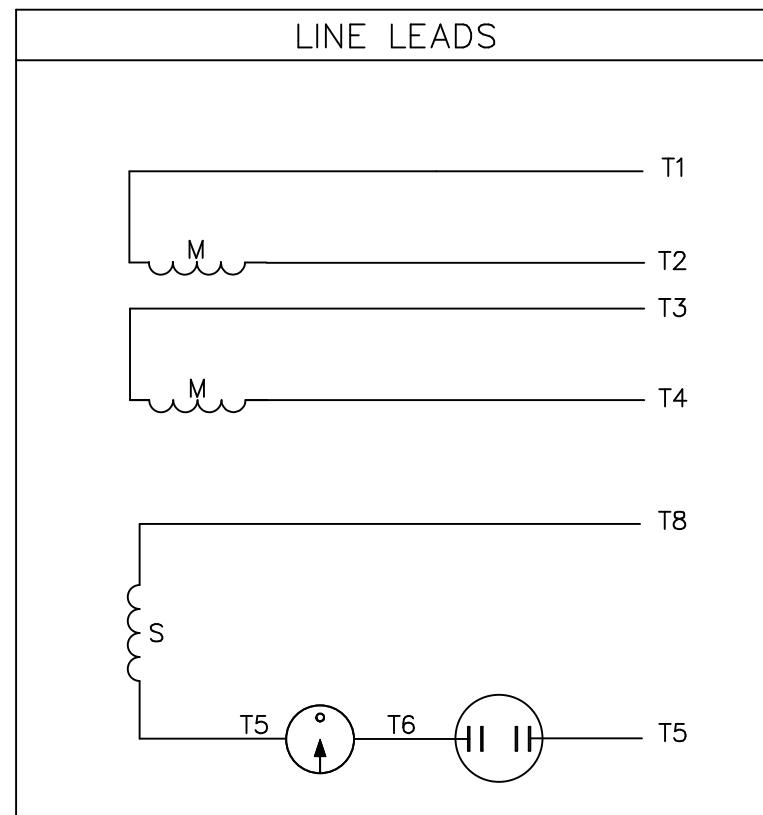


		TOLERANCES UNLESS SPECIFIED		DRAWN PG 8/18/97	
		DEC	INCHES	REGAL BELOIT CORPORATION	
		X	±.1	CHK	
		.XX	±.03	APPR	
		.XXX	±.005	TITLE	OUTLINE - 180T FRAME
		.XXXX	±.0005	REF	DRIP PROOF - RIGID MOUNT - 1 PH.
- UPDATED & REDRAWN IN SOLIDWORKS		LST 12/31/2009	XX .XXXX ±.0005	MATL	SCALE 1:2
NO		REVISION	BY & DATE	FINISH	REF 035000
		THIRD ANGLE PROJECTION	CHK ANG ±1/2°	PREV	FMF 131515
			RFP	SIZE	DRAWING NO
			NETWORK FILE NAME	B	035348
				OF	REV
					-


VIEW FROM OUTSIDE OF MOTOR AT SWITCH END.



* THIS LEAD MAY BE WHITE



	ROTATION FACING LEAD END	L1	L2	JOIN
HIGH VOLT	C.C.W.	T1	T4 T5	T2,T3 T8
	C.W.	T1	T4 T8	T2,T3 T5
LOW VOLT	C.C.W.	T1,T3 T8	T2,T4 T5	---
	C.W.	T1,T3 T5	T2,T4 T8	---

		TOLERANCES UNLESS SPECIFIED		 ELECTRIC MOTORS GEARMOTORS AND DRIVES		DRAWN JRW 12/05/74	
		DEC.	INCHES			CHK	
			.X	±.1		APPD T.E.M.	
12	ALTERNATE T5 LEAD MARKING WAS RED	RLW 8/6/02	.XX	±.01	TITLE	SCALE 1=1	
11	ADDED ALTERNATE T5 LEAD MARKING	RLW 5/31/02	KH .XXX	±.005		EXT. WIRING DIAGRAM TYPE "C" W/O PROTECTOR	
10	UPDATED TO CURRENT STANDARDS	DBT 06/09/97	.XXXX	±.0005	MAT'L.	REF A-005061	
NO.	REVISION	BY & DATE	CHK	ANG ±1/2"		DECAL - 004012	
THIS DRAWING IN DESIGN AND DETAIL IS OUR PROPERTY AND MUST NOT BE USED EXCEPT IN CONNECTION WITH OUR WORK ALL RIGHTS OF DESIGN AND INVENTION ARE RESERVED THIS IS AN ELECTRONICALLY GENERATED DOCUMENT - DO NOT SCALE THIS PRINT		RFP	CAD FILE		00506201	SIZE	DRAWING NO.
		DIST NLV				A	005062-01
							REV. 12



1051 CHEYENNE AVE.
GRAFTON, WI 53024
PH. 262-377-8810

CERTIFICATION DATA SHEET

CONN. DIAGRAM: 005062.01
OUTLINE: 035348-900
WINDING #: C842 DR 3 D

CATALOG #: 131515.00
MOUNTING: F1 ONLY

TYPICAL MOTOR PERFORMANCE DATA

HP	kW	SYNC. RPM	F.L. RPM	FRAME	ENCLOSURE	KVA CODE	DESIGN
2	1.49	1800	1740	182T	DP	K	L

PH	Hz	VOLTS	AMPS	START TYPE	DUTY	INSL	S.F.	AMB°C
1	60	115/208-230	24.5/13-12.4	ACROSS THE LINE	CONTINUOUS	F4	1.15	40

FULL LOAD EFF:	72	3/4 LOAD EFF:	68.4	1/2 LOAD EFF:	65	GTD. EFF	ELEC. TYPE
FULL LOAD PF:	74	3/4 LOAD PF:	67.1	1/2 LOAD PF:	55.1	68	CAP START IND RUN

F.L. TORQUE	LOCKED ROTOR AMPS	L.R. TORQUE	B.D. TORQUE	F.L. RISE°C
6 LB-FT	156 / 78	20.6 LB-FT 343 %	16.1 LB-FT 268 %	52

SOUND PRESSURE @ 3 FT.	SOUND POWER	ROTOR WK^2	MAX. WK^2	SAFE STALL TIME	STARTS / HOUR	APPROX. MOTOR WGT
0 dBA	10 dBA	0.306 LB-FT^2	0.3 LB-FT^2	0 SEC.	0	59 LBS.

***** SUPPLEMENTAL INFORMATION *****

DE BRACKET TYPE	ODE BRACKET TYPE	MOUNT TYPE	ORIENTATION	SEVERE DUTY	HAZARDOUS LOCATION	DRIP COVER	SCREENS	PAINT
STANDARD	STANDARD	RIGID	HORIZONTAL	FALSE	NONE	FALSE	NONE	BLUE - LEESON (ENAMEL)

BEARINGS		GREASE	SHAFT TYPE	SPECIAL DE	SPECIAL ODE	SHAFT MATERIAL	FRAME MATERIAL
DE	ODE						
BALL	BALL	POLYREX EM	T	NONE	NONE	AISI 1045 (C-240)	ROLLED STEEL
6206	6205						

THERMO-PROTECTORS				THERMISTORS	CONTROL	SPACE HEATERS
THERMOSTATS	PROTECTORS	WDG RTDs	BRG RTDs			
NONE	NOT	NONE	NONE	NONE	FALSE	NONE VOLTS

*
N
O
T
E
S
*

INVERTER TORQUE: NONE
INV. HP SPEED RANGE: NONE
ENCODER: NONE NONE NONE NONE NONE PPR
BRAKE: NONE NONE NONE P/N NONE NONE NONE NONE FT-LB NONE V NONE Hz



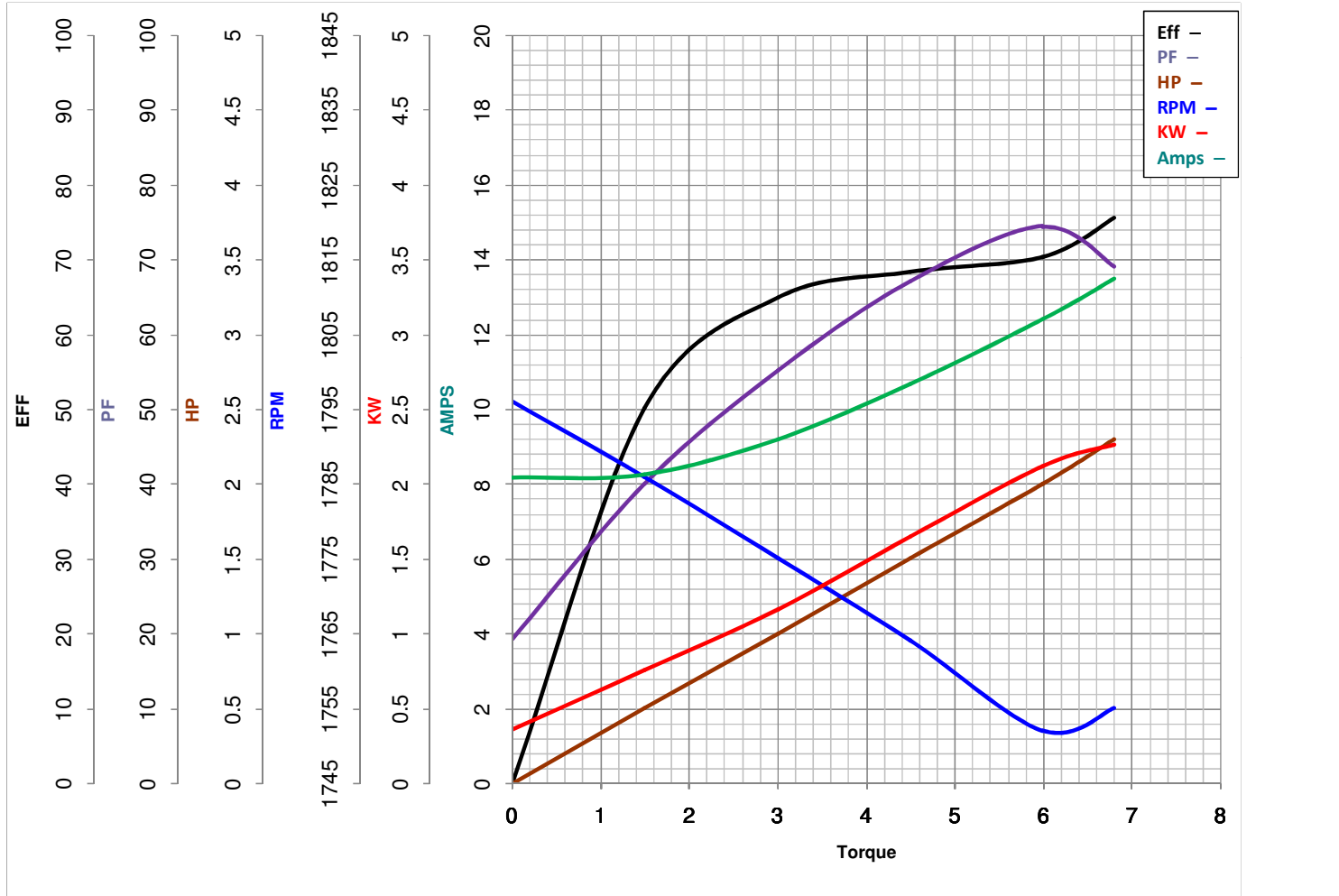
LEESON ELECTRIC CORPORATION
 TYPICAL PERFORMANCE CURVE for AC MOTOR

Model No 131515.00

Catalog No 131515.00

Curve at 230 Volts HP 2.00 PHASE 1
60 HZ
2 HP VOLTS 115/208-230

HZ 60 RPM 1740



FL TORQUE	<u>6</u>	Lb.Ft	FL AMPS	<u>24.5/13-12.4</u>
BD TORQUE	<u>16.1</u>	Lb.Ft	PU TORQUE	<u>15.0</u> Lb.Ft
LR TORQUE	<u>20.6</u>	Lb.Ft	LR AMPS	<u>78</u>
WINDING	C842-3		Date	5/17/2018