

PRODUCT INFORMATION PACKET



Model No: 131481.00

Catalog No: 131481.00

Special Voltage Motor, 5 HP, 3 Ph, 50 Hz, 220/380/440 V, 3000 RPM, 184T Frame, TEFC



Regal and Leeson are trademarks of Regal Rexnord Corporation or one of its affiliated companies.

©2022 Regal Rexnord Corporation, All Rights Reserved. MC017097E





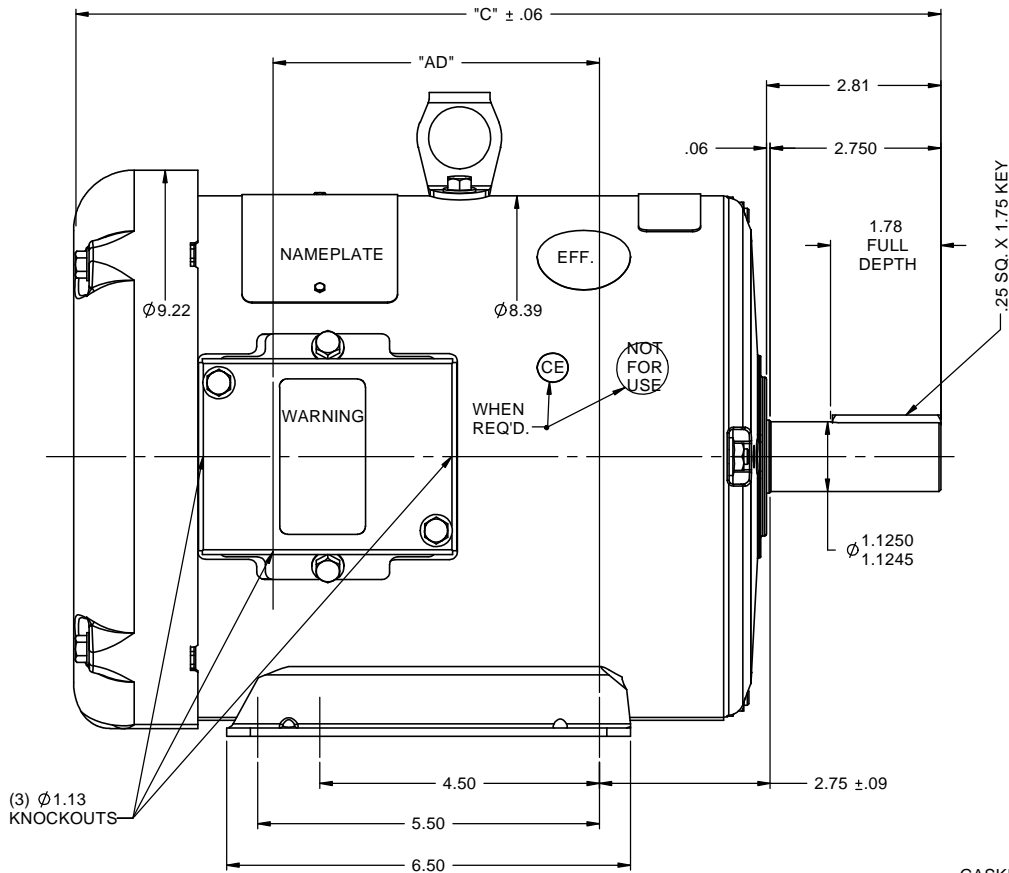
Nameplate Specifications

| | | | |
|------------------------|----------------|----------------------------|-----------------------------|
| Output HP | 5 Hp | Output KW | 3.7 kW |
| Frequency | 50 Hz | Voltage | 220/380/440 V |
| Current | 12.8/7.4/6.4 A | Speed | 2850 rpm |
| Service Factor | 1.15 | Phase | 3 |
| Efficiency | 84 % | Power Factor | 93 |
| Duty | Continuous | Insulation Class | F |
| Design Code | B | KVA Code | K |
| Frame | 184T | Enclosure | Totally Enclosed Fan Cooled |
| Thermal Protection | No Protection | Ambient Temperature | 40 °C |
| Drive End Bearing Size | 6206 | Opp Drive End Bearing Size | 6205 |
| UL | Recognized | CSA | Y |
| CE | Y | IP Code | 54 |
| Number of Speeds | 1 | | |

Technical Specifications

| | | | |
|-----------------------|-----------------------------|-----------------------|-----------------|
| Electrical Type | Squirrel Cage Induction Run | Starting Method | Across The Line |
| Poles | 2 | Rotation | Reversible |
| Resistance Main | .81 Ohms | Mounting | Rigid Base |
| Motor Orientation | Horizontal | Drive End Bearing | Ball |
| Opp Drive End Bearing | Ball | Frame Material | Rolled Steel |
| Shaft Type | T | Overall Length | 14.46 in |
| Frame Length | 9.00 in | Shaft Diameter | 1.125 in |
| Shaft Extension | 2.75 in | Assembly/Box Mounting | F1 ONLY |
| Outline Drawing | 035465-900 | Connection Drawing | 005381.01 |

RBC PROPRIETARY AND CONFIDENTIAL INFORMATION
 This document is the property of REGAL BELOIT CORPORATION ("RBC") including its subsidiaries and divisions and contains proprietary information of RBC. This document is loaned on the express condition that neither it nor the information contained therein shall be disclosed to others without the express written consent of RBC, and that the information shall be used by the recipient only as approved expressly by RBC. This document shall be returned to RBC upon its request. This document may be subject to certain restrictions under U.S. export control laws and regulations.

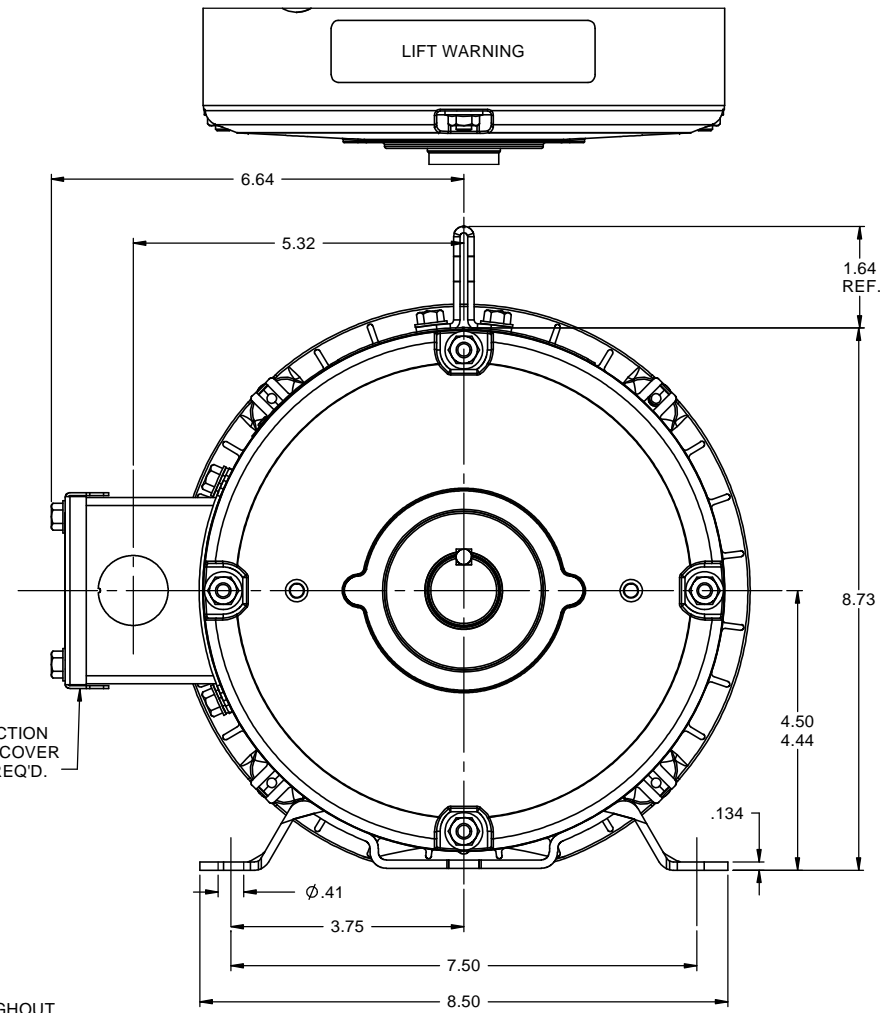


(3) Ø1.13 KNOCKOUTS

.25 SQ. X 1.75 KEY

DECAL-
CONNECTION
UNDER COVER
WHEN REQ'D.

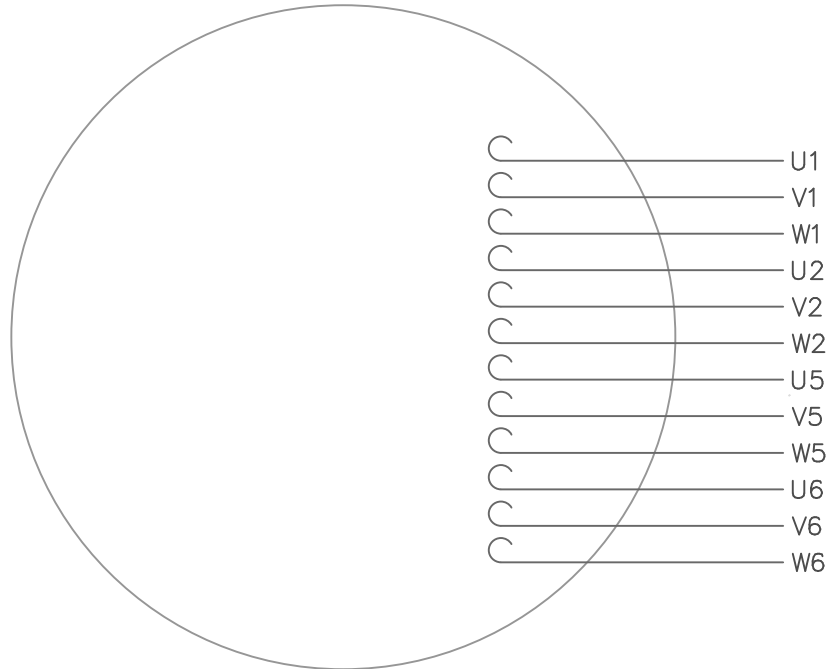
GASKET THROUGHOUT



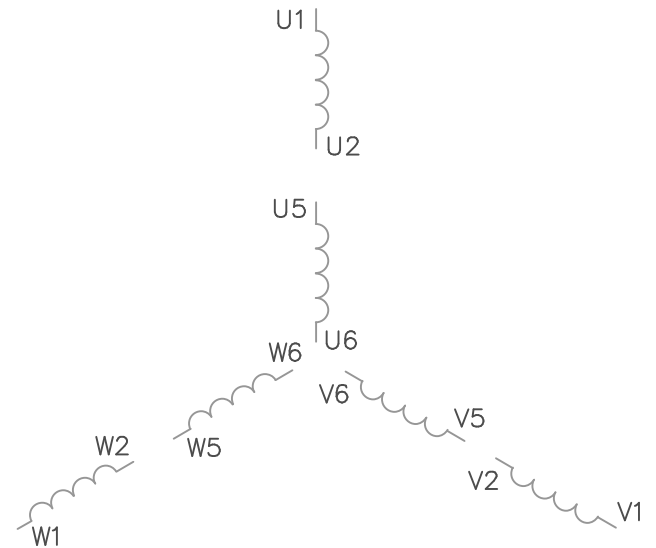
| DASH NO. | "C" | "AD" |
|----------|-------|------|
| 750 | 12.96 | 4.25 |
| 800 | 13.46 | 4.75 |
| 850 | 13.96 | 5.25 |
| 900 | 14.46 | 5.75 |
| 950 | 14.96 | 6.25 |
| 1000 | 15.46 | 6.75 |
| 1050 | 15.96 | 7.25 |
| 1100 | 16.46 | 7.75 |
| 1150 | 16.96 | 8.25 |

| | | | | | | | | | |
|----------------------------------|--|--|--|-----------------------------|--|----------------------------|--|-------------------|--|
| | | | | TOLERANCES UNLESS SPECIFIED | | | | DRAWN MGM 2/21/03 | |
| | | | | DEC INCHES | | | | CHK | |
| | | | | X ±.1 | | | | APPR RDW 2/21/03 | |
| | | | | XX ±.03 | | TITLE OUTLINE - 180T FRAME | | SCALE 1:2 | |
| 02 REV TO MATCH ORACLE | | | | LST 8/13/2010 | | XX XXX ±.005 | | TEFC - RIGID | |
| - UPDATE & REDRAWN IN SOLIDWORKS | | | | LST 12/10/2009 | | XX XXXX ±.0005 | | REF 035450 | |
| NO REVISION | | | | BY & DATE | | CHK ANG ±1/2° | | FINISH | |
| THIRD ANGLE PROJECTION | | | | RFP | | PREV | | PAGE OF | |
| | | | | NETWORK FILE NAME 035465 | | SIZE B | | DRAWING NO 035465 | |
| | | | | | | | | REV 02 | |

VIEW FROM OUTSIDE OF MOTOR AT SWITCH END.



LINE LEADS



| VOLTAGE | L1 | L2 | L3 | JOIN |
|----------------|----------------|----------------|----------------|-------------------------------|
| (2Δ) LOW | U1,W2 U5,W6 | V1,U2 V5,U6 | W1,V2 W5,V6 | ----- |
| (2Y) MEDIUM | U1,U5 | V1,V5 | W1,W5 | (U2,V2,W2) (U6,V6,W6) |
| (1Δ) HIGH | U1,W6 | V1,U6 | W1,V6 | (U2,U5) (V2,V5) (W2,W5) |

TOLERANCES UNLESS OTHERWISE SPECIFIED

DECIMALS

.00 ± .01

.000 ± .005

.0000 ± .0005

FRACTIONS ± 1/64

ANGLES ± 1/2°

INCH/MM

LEESON ELECTRIC CORPORATION

DRAWN GWS 2/23/96

CH'K'D.

APPR.

SCALE 1=1

REF. 005352 PG 3

FMF

TITLE

MAT'L.

FINISH

EXT. WIRING DIAGRAM

TYPE "T" W/O PROTECTOR

DECAL - 080590

STOCK

SIZE

A

DRAWING NO.

005381-01

1 REDRAWN TO CURRENT STANDARDS DBT 05/30/97

NO. REVISION BY DATE

THIS DRAWING IN DESIGN AND DETAIL IS OUR PROPERTY AND MUST NOT BE USED EXCEPT IN CONNECTION WITH OUR WORK ALL RIGHTS OF DESIGN AND INVENTION ARE RESERVED



**1051 CHEYENNE AVE.
GRAFTON, WI 53024
PH. 262-377-8810**

CERTIFICATION DATA SHEET

CATALOG #: 131481.00

CONN. DIAGRAM: 005381.01

OUTLINE: 035465-900

MOUNTING: F1 ONLY

WINDING #: T8264 FR 4 A

TYPICAL MOTOR PERFORMANCE DATA

| HP | kW | SYNC. RPM | F.L. RPM | FRAME | ENCLOSURE | KVA CODE | DESIGN |
|----|------|-----------|----------|-------|-----------|----------|--------|
| 5 | 3.70 | 3000 | 2850 | 184T | TEFC | K | B |

| PH | Hz | VOLTS | AMPS | START TYPE | DUTY | INSL | S.F. | AMB°C |
|----|----|-------------|--------------|-----------------|------------|------|------|-------|
| 3 | 50 | 220/380/440 | 12.8/7.4/6.4 | ACROSS THE LINE | CONTINUOUS | F4 | 1.15 | 40 |

| FULL LOAD EFF: | 84 | 3/4 LOAD EFF: | 88.4 | 1/2 LOAD EFF: | 82.8 | GTD. EFF | | ELEC. TYPE | |
|----------------|----|---------------|------|---------------|------|----------|--|-----------------|--|
| FULL LOAD PF: | 93 | 3/4 LOAD PF: | 88.4 | 1/2 LOAD PF: | 82.8 | - | | SQ CAGE IND RUN | |

| F.L. TORQUE | LOCKED ROTOR AMPS | L.R. TORQUE | B.D. TORQUE | F.L. RISE°C |
|-------------|-------------------|------------------|------------------|-------------|
| 9 LB-FT | 39.8 / 23 / 19.9 | 23.3 LB-FT 259 % | 25.7 LB-FT 286 % | 70.8 |

| SOUND PRESSURE @ 3 FT. | SOUND POWER | ROTOR WK^2 | MAX. WK^2 | SAFE STALL TIME | STARTS / HOUR | APPROX. MOTOR WGT |
|------------------------|-------------|---------------|-------------|-----------------|---------------|-------------------|
| - dBA | - dBA | 0.158 LB-FT^2 | 0.2 LB-FT^2 | - SEC. | - | - LBS. |

***** SUPPLEMENTAL INFORMATION *****

| DE BRACKET TYPE | ODE BRACKET TYPE | MOUNT TYPE | ORIENTATION | SEVERE DUTY | HAZARDOUS LOCATION | DRIP COVER | SCREENS | PAINT |
|-----------------|------------------|------------|-------------|-------------|--------------------|------------|---------|------------------------|
| STANDARD | STANDARD | RIGID | HORIZONTAL | FALSE | NONE | FALSE | NONE | BLUE - LEESON (ENAMEL) |

| BEARINGS | | GREASE | SHAFT TYPE | SPECIAL DE | SPECIAL ODE | SHAFT MATERIAL | FRAME MATERIAL |
|----------|------|------------|------------|------------|-------------|-------------------|----------------|
| DE | ODE | | | | | | |
| BALL | BALL | POLYREX EM | T | NONE | NONE | AISI 1045 (C-240) | ROLLED STEEL |
| 6206 | 6205 | | | | | | |

| THERMO-PROTECTORS | | | | THERMISTORS | CONTROL | SPACE HEATERS |
|-------------------|------------|----------|----------|-------------|---------|---------------|
| THERMOSTATS | PROTECTORS | WDG RTDs | BRG RTDs | | | |
| NONE | NOT | NONE | NONE | NONE | FALSE | NONE VOLTS |

*
N
O
T
E
S

| |
|----------------------------------|
| INVERTER TORQUE: NONE |
| INV. HP SPEED RANGE: NONE |
| ENCODER: NONE |
| NONE NONE |
| NONE NONE PPR |
| BRAKE: NONE NONE |
| NONE P/N NONE |
| NONE NONE |
| NONE FT-LB NONE V NONE Hz |

Data Sheet

Date: 1/17/2018

131481.00



Data @ **380 V**

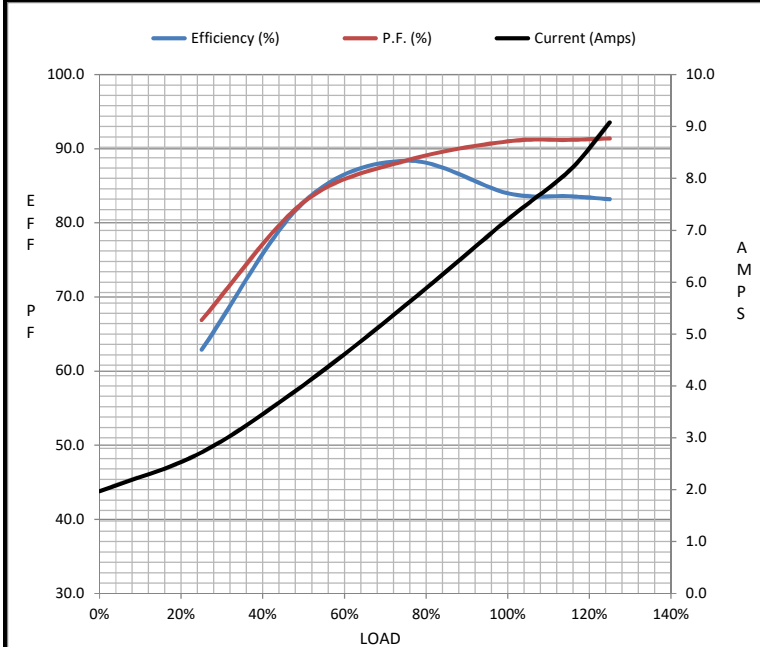
Motor Load Data

| Load | 0% | 25% | 50% | 75% | 100% | 115% | 125% | LR |
|----------------|------|------|------|------|------|-------|------|------|
| Current (Amps) | 1.97 | 2.72 | 4.0 | 5.6 | 7.2 | 8.1 | 9.1 | 23.0 |
| Torque (ft-lb) | 0.00 | 2.30 | 4.5 | 6.8 | 9.0 | 10.2 | 11.3 | 23.3 |
| RPM | 3000 | 2973 | 2947 | 2918 | 2886 | 2,870 | 2846 | 0 |
| Efficiency (%) | | 62.9 | 82.8 | 88.4 | 84.0 | 83.6 | 83.2 | |
| P.F. (%) | 14.3 | 66.9 | 82.8 | 88.4 | 91.0 | 91.2 | 91.4 | 0.0 |

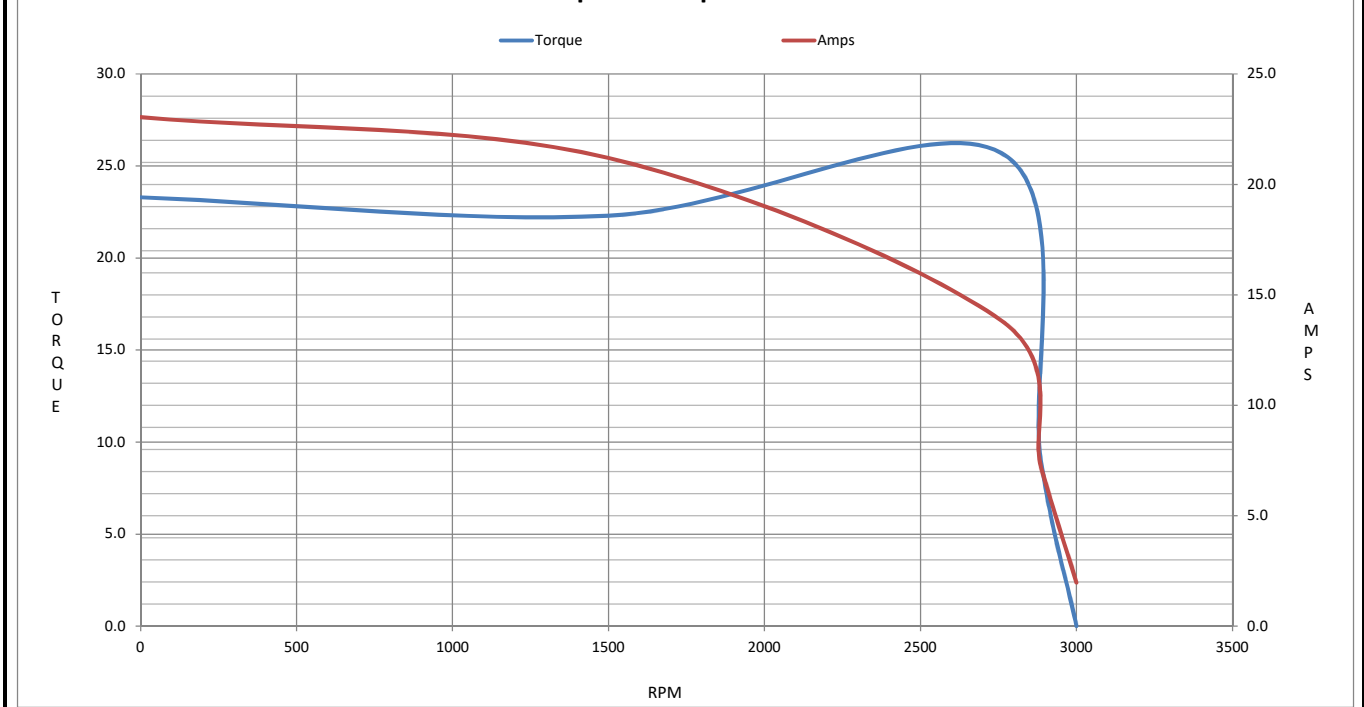
Motor Speed Data

| | LR | Pull-Up | BD | Rated | Idle |
|----------------|------|---------|------|-------|------|
| Speed (RPM) | 0 | 1500 | 2760 | 2886 | 3000 |
| Current (Amps) | 23.0 | 21.2 | 13.8 | 7.2 | 1.97 |
| Torque (ft-lb) | 23.3 | 22.3 | 25.7 | 9.0 | 0.00 |

| Information Block | | | | |
|-----------------------------|-------------------------|--------|--------|--------|
| HP | 5.0 | | | |
| Sync. RPM | 3000 | | | |
| Frame | 180 | | | |
| Enclosure | IP54 | | | |
| Construction | NA | | | |
| Voltage | 220/380 V | | | |
| Frequency | 50 Hz | | | |
| Design | B | | | |
| LR Code letter | K | | | |
| Service Factor | 1.15 | | | |
| Temp Rise @ FL | 71 °C | | | |
| Duty | CONT | | | |
| Ambient | 40 °C | | | |
| Elevation | 1,000 feet | | | |
| Rotor/Shaft wk ² | 0.16 Lb-Ft ² | | | |
| Ref Wdg | T8264 FR | | | |
| Sound Pressure @ 1M | 999 dBA | | | |
| VFD Rating | NONE | | | |
| Outline Dwg | 035465-900 | | | |
| Conn. Diag | 005381.01 | | | |
| Additional Specifications: | | | | |
| 0 | | | | |
| 0 | | | | |
| EQUIV CKT (OHMS / PHASE) | | | | |
| R1 | R2 | X1 | X2 | Xm |
| 0.0000 | 0.0000 | 0.0000 | 0.0000 | 0.0000 |



Speed - Torque Curve



EC Declaration of Conformity

The undersigned representing
the manufacturer:

Regal Beloit America
100 East Randolph St.
Wausau, WI 54401

and the authorized representative
established within the Community:

Marathon Electric UK
6F Thistleton Road Ind. Estate
Market Overton
Oakham, Rutland LE15 7PP UK

are committed to providing customers with products that comply with applicable regulations and international protocols to which they are subject, including the requirements of the European Parliament Directive on the Harmonization of the laws relating to electrical equipment designed for use within certain voltage limits (2014/35/EU).

Regal Beloit America declares that the following product(s), to which this declaration relates, are in conformity with the relevant sections of the EC standards listed below.

This statement supersedes any statements previously issued pertaining to the product(s) listed below and is subject to change without notice.

Model No : 131481.00

(Model No. may contain prefix and/or suffix characters)

Catalog No : 131481.00

Rework No : N/A

Directives :

Low Voltage Directive 2014/35/EU

Harmonized Standards Used :

EN 60034-1: 2010 (IEC 60034-1: 2010)

EN 60034-5: 2001/A1:2007 (IEC 60034-5: 2000/A1:2006)

Authorized Representative:



Michael A. Logsdon
Vice President, Technology

Authorized Representative in the Community:



Julian Clark
Marketing Engineer

Created on 09/01/2022

CE 22