

PRODUCT INFORMATION PACKET



Model No: 131471.00

Catalog No: 131471.00

Fan and Blower Motor, 2 & 1 HP, 3 Ph, 60 & 60 Hz, 460 & 460 V, 1800 & 1800 RPM, 184T Frame, TEFC



Regal and Leeson are trademarks of Regal Rexnord Corporation or one of its affiliated companies.

©2023 Regal Rexnord Corporation, All Rights Reserved. MC017097E





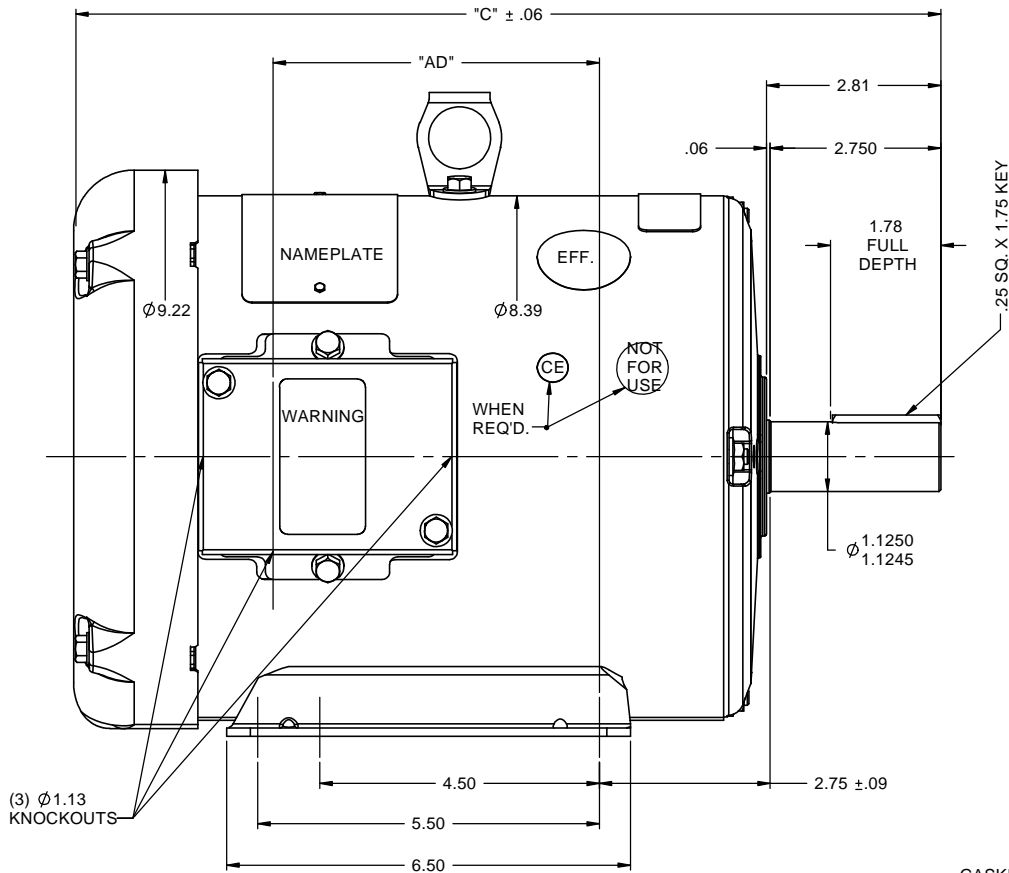
Nameplate Specifications

Phase	3	Output HP	2 & 1 Hp
Output KW	1.5 & 0.75 kW	Voltage	460 & 460 V
Speed	1740 & 860 rpm	Service Factor	1.0 & 1.0
Frame	184T	Enclosure	Totally Enclosed Fan Cooled
Thermal Protection	No Protection	Efficiency	80 & 64 %
Ambient Temperature	40 °C	Frequency	60 & 60 Hz
Current	2.9 & 2.9 A	Power Factor	88.6
Duty	Continuous	Insulation Class	F
Design Code	B	KVA Code	H
Drive End Bearing Size	6206	Opp Drive End Bearing Size	6205
UL	Recognized	CSA	Y
CE	N	IP Code	43
Number of Speeds	1		

Technical Specifications

Electrical Type	Squirrel Cage Induction Run	Starting Method	Across The Line
Poles	4	Rotation	Reversible
Resistance Main	0 Ohms	Mounting	Rigid Base
Motor Orientation	Horizontal	Drive End Bearing	Ball
Opp Drive End Bearing	Ball	Frame Material	Rolled Steel
Shaft Type	T	Overall Length	13.96 in
Frame Length	8.50 in	Shaft Diameter	1.125 in
Shaft Extension	2.75 in	Assembly/Box Mounting	F1/F2 CAPABLE
Outline Drawing	035465-850	Connection Drawing	005148.01

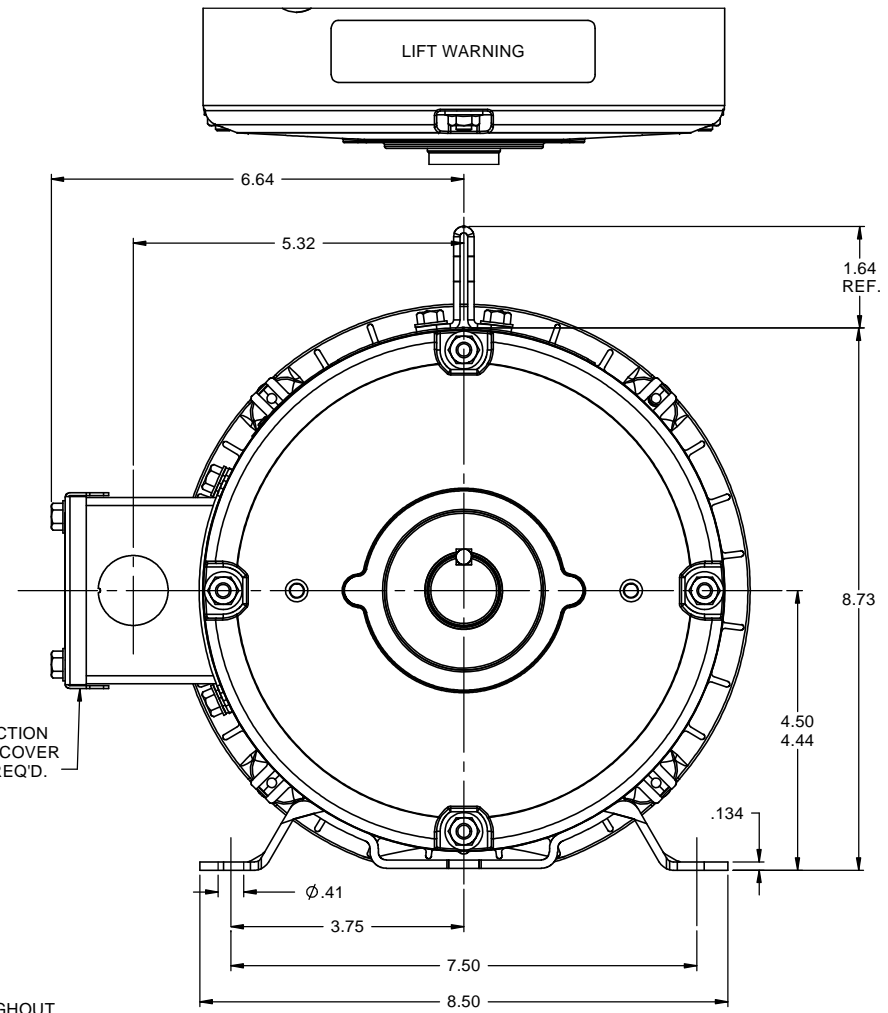
RBC PROPRIETARY AND CONFIDENTIAL INFORMATION
 This document is the property of REGAL BELOIT CORPORATION ("RBC") including its subsidiaries and divisions and contains proprietary information of RBC. This document is loaned on the express condition that neither it nor the information contained therein shall be disclosed to others without the express written consent of RBC, and that the information shall be used by the recipient only as approved expressly by RBC. This document shall be returned to RBC upon its request. This document may be subject to certain restrictions under U.S. export control laws and regulations.



.25 SQ. X 1.75 KEY

DECAL-
CONNECTION
UNDER COVER
WHEN REQ'D.

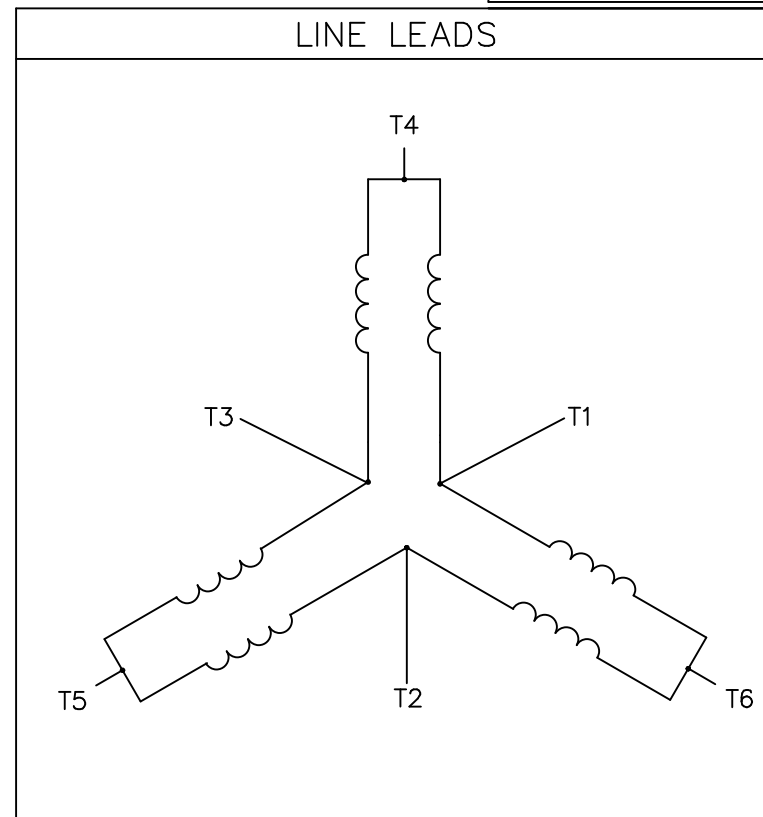
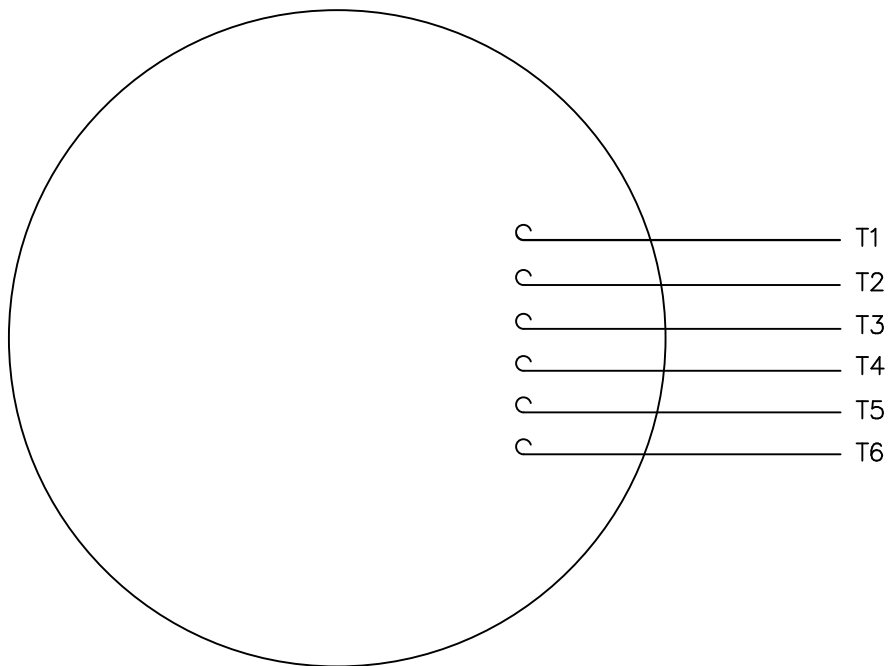
GASKET THROUGHOUT



DASH NO.	"C"	"AD"
750	12.96	4.25
800	13.46	4.75
850	13.96	5.25
900	14.46	5.75
950	14.96	6.25
1000	15.46	6.75
1050	15.96	7.25
1100	16.46	7.75
1150	16.96	8.25

				TOLERANCES UNLESS SPECIFIED				DRAWN MGM 2/21/03	
				DEC INCHES				CHK	
				X ±.1		XX ±.03		TITLE OUTLINE - 180T FRAME	
02 REV TO MATCH ORACLE				LST 8/13/2010		XX XXX ±.005		TEFC - RIGID	
- UPDATE & REDRAWN IN SOLIDWORKS				LST 12/10/2009		XX XXXX ±.0005		MATL GENERAL PURPOSE	
NO REVISION				BY & DATE		CHK ANG ±1/2°		FINISH	
THIRD ANGLE PROJECTION				RFP		PREV		SIZE DRAWING NO	
				NETWORK FILE NAME 035465		B		PAGE OF	
								035465	
								REV 02	

VIEW FROM OUTSIDE OF MOTOR AT SWITCH END.



SPEED	L1	L2	L3	JOIN	SEPARATE
HIGH	T6	T4	T5	(T1,T2,T3)	
LOW	T1	T2	T3		(T4),(T5), (T6)

		TOLERANCES UNLESS SPECIFIED	
		DEC.	INCHES
		.X	±.1
		.XX	±.01
03	SPEED WAS VOLTAGE	RLW 6/23/04	.XXX ±.005
02	REDRAWN TO CAD	DBT 5/30/97	.XXXX ±.0005
NO.	REVISION	BY & DATE	CHK ANG ±1/2°
			RFP 10/31/77
			DIST



ELECTRIC MOTORS
GEARMOTORS
AND DRIVES

DRAWN	DLL 10/19/77
CHK	RPB 10/28/77
APPD	JCW 10/31/77
SCALE	1=1
REF	W-T8(4-8)1
FMF	184T17FB9
PREV	

TITLE
EXT. WIRING DIAGRAMS
3 PHASE W/O PROTECTOR

MAT'L.DECAL: 004183 2SPEED/1WINDING/CONSTANT TORQUE

FINISH

CAD FILE 00514801

SIZE	DRAWING NO.	REV.
A	005148-01	03



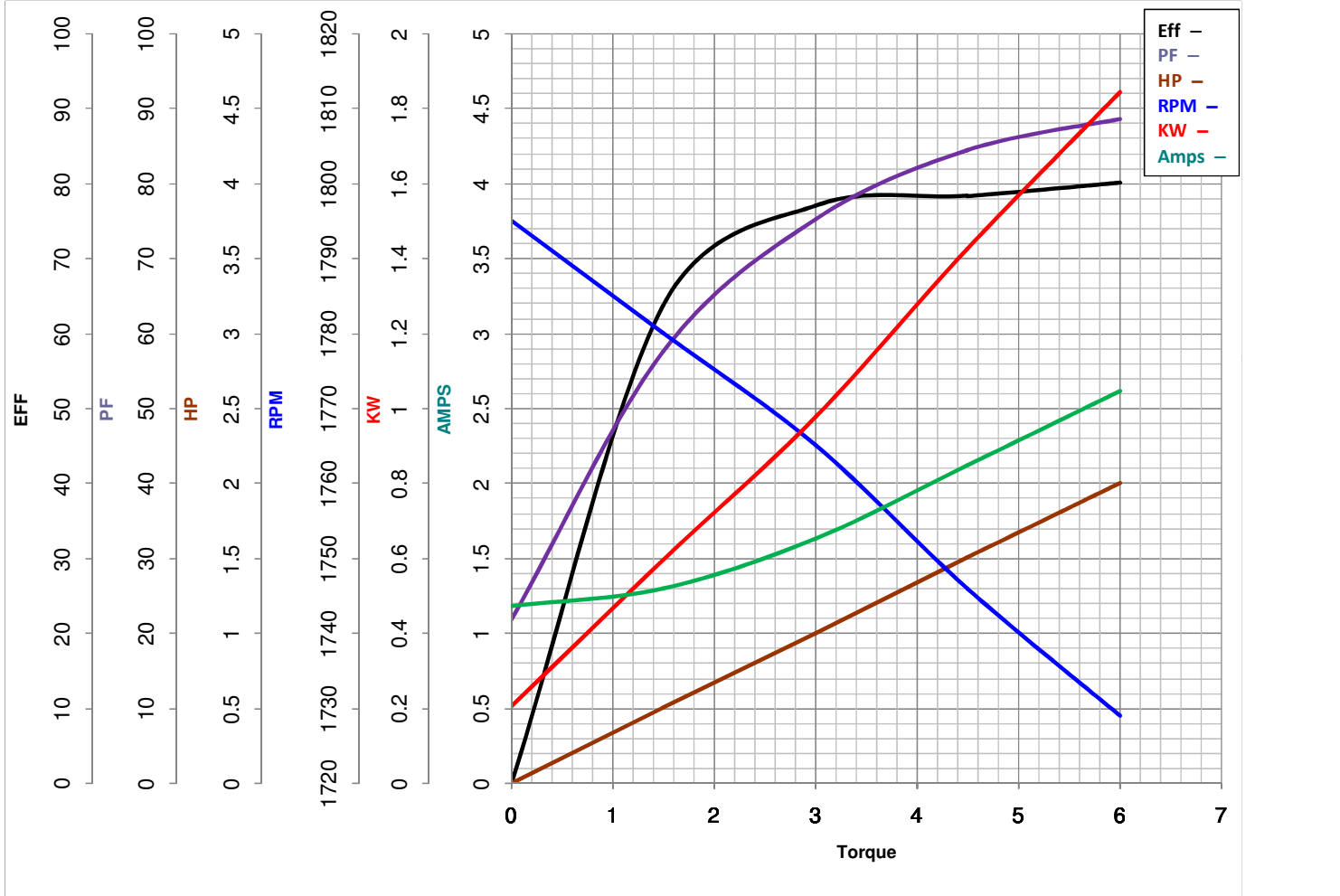
LEESON ELECTRIC CORPORATION
TYPICAL PERFORMANCE CURVE for AC MOTOR

Model No 131471.00

Catalog No 131471.00

Curve at 460 Volts HP 2&1
60 HZ
2 HP VOLTS 460&460

PHASE 3
HZ 60&60 RPM 1740&860



FL TORQUE	<u>6</u>	Lb.Ft	FL AMPS	<u>2.9</u>	
BD TORQUE	<u>16.5</u>	Lb.Ft	PU TORQUE	<u>12.0</u>	Lb.Ft
LR TORQUE	<u>15.06</u>	Lb.Ft	LR AMPS	<u>17</u>	
WINDING	<u>T8(4-8)2-2</u>		Date	<u>6/4/2018</u>	