

# PRODUCT INFORMATION PACKET



Model No: 131469.00  
Catalog No: 131469.00  
Definite Purpose Motor, 5 & 1.20 HP, 3 Ph, 60 & 60 Hz, 208-230 & 208-230 V, 1800 & 1800 RPM,  
184T Frame, TEFC



Regal and Leeson are trademarks of Regal Rexnord Corporation or one of its affiliated companies.  
©2023 Regal Rexnord Corporation, All Rights Reserved. MC017097E





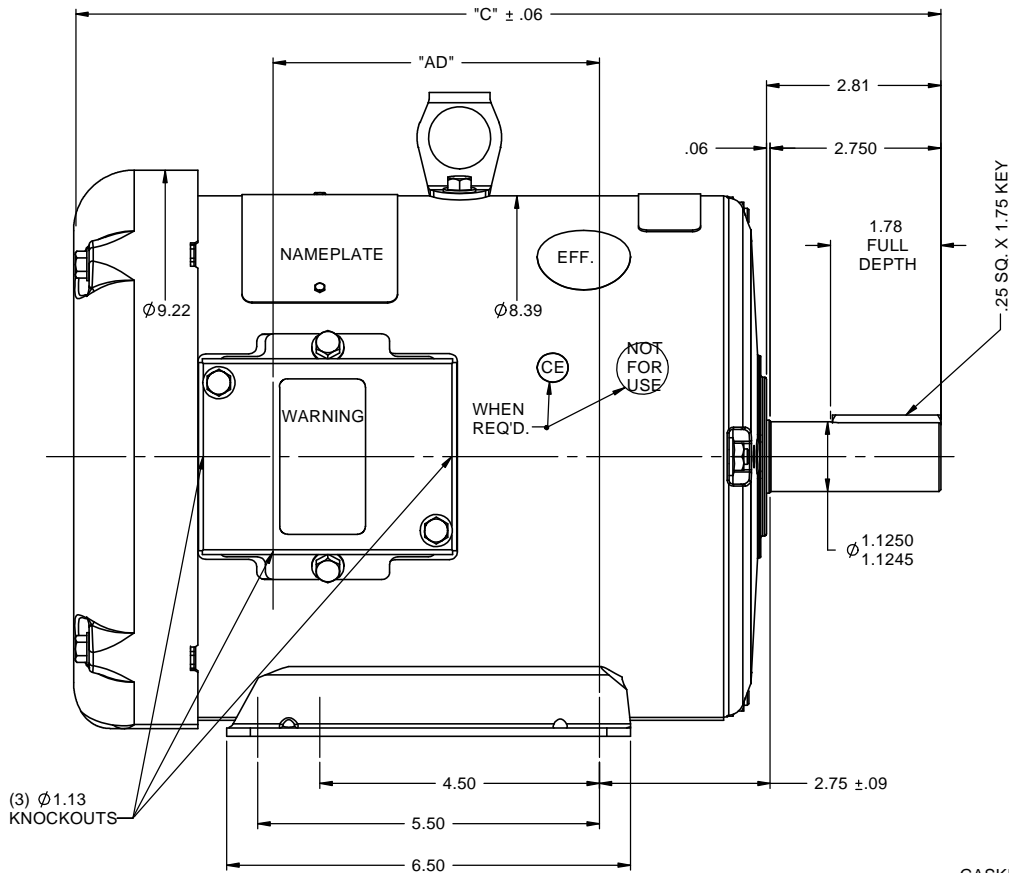
### Nameplate Specifications

Phase	<b>3</b>	Output HP	<b>5 &amp; 1.20 Hp</b>
Output KW	<b>3.7 &amp; 0.90 kW</b>	Voltage	<b>208-230 &amp; 208-230 V</b>
Speed	<b>1740 &amp; 860 rpm</b>	Service Factor	<b>1.0 &amp; 1.0</b>
Frame	<b>184T</b>	Enclosure	<b>Totally Enclosed Fan Cooled</b>
Thermal Protection	<b>No Protection</b>	Efficiency	<b>84 &amp; 75.5 %</b>
Ambient Temperature	<b>40 °C</b>	Frequency	<b>60 &amp; 60 Hz</b>
Current	<b>13 &amp; 5 A</b>	Power Factor	<b>87.2</b>
Duty	<b>Continuous</b>	Insulation Class	<b>F</b>
Design Code	<b>1VT</b>	KVA Code	<b>J</b>
Drive End Bearing Size	<b>6206</b>	Opp Drive End Bearing Size	<b>6205</b>
UL	<b>Recognized</b>	CSA	<b>Y</b>
CE	<b>N</b>	IP Code	<b>43</b>
Number of Speeds	<b>1</b>		

### Technical Specifications

Electrical Type	<b>Squirrel Cage Induction Run</b>	Starting Method	<b>Across The Line</b>
Poles	<b>4</b>	Rotation	<b>Reversible</b>
Resistance Main	<b>0 Ohms</b>	Mounting	<b>Rigid Base</b>
Motor Orientation	<b>Horizontal</b>	Drive End Bearing	<b>Ball</b>
Opp Drive End Bearing	<b>Ball</b>	Frame Material	<b>Rolled Steel</b>
Shaft Type	<b>T</b>	Overall Length	<b>15.96 in</b>
Frame Length	<b>10.50 in</b>	Shaft Diameter	<b>1.125 in</b>
Shaft Extension	<b>2.75 in</b>	Assembly/Box Mounting	<b>F1 ONLY</b>
Connection Drawing	<b>005200.01</b>	Outline Drawing	<b>035465-1050</b>

RBC PROPRIETARY AND CONFIDENTIAL INFORMATION  
 This document is the property of REGAL BELOIT CORPORATION ("RBC") including its subsidiaries and divisions and contains proprietary information of RBC. This document is loaned on the express condition that neither it nor the information contained therein shall be disclosed to others without the express written consent of RBC, and that the information shall be used by the recipient only as approved expressly by RBC. This document shall be returned to RBC upon its request. This document may be subject to certain restrictions under U.S. export control laws and regulations.

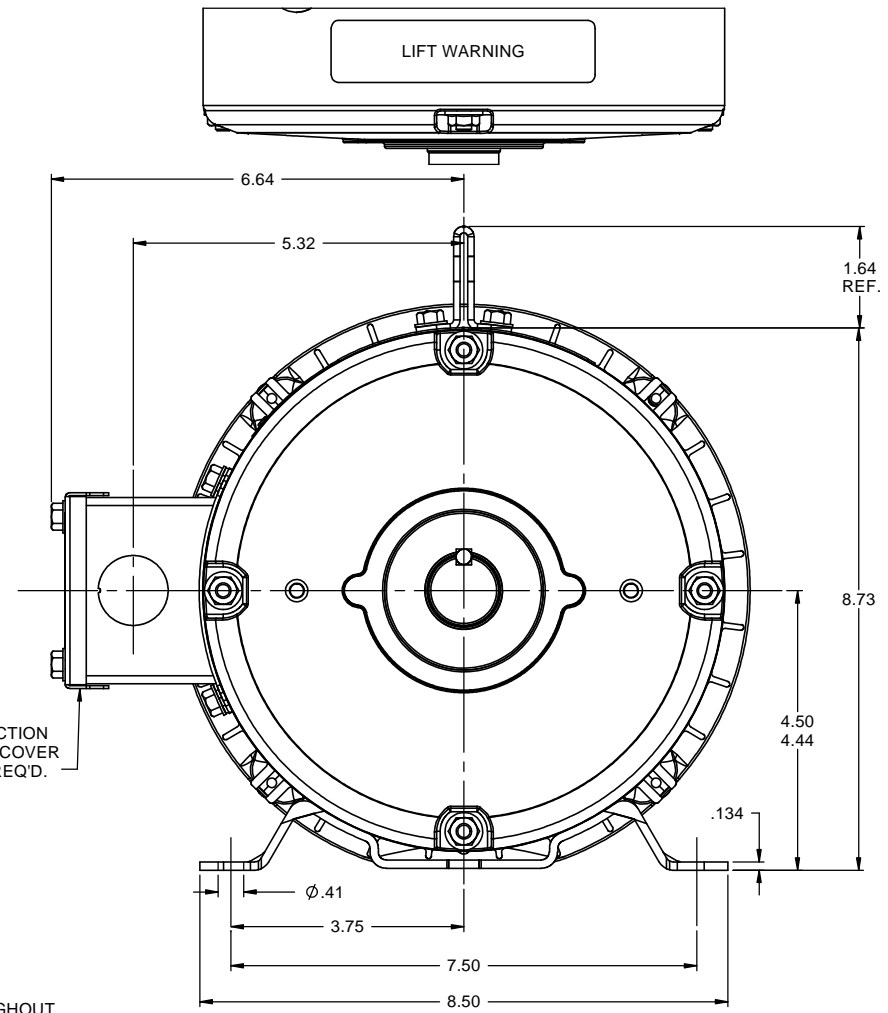


(3) Ø1.13 KNOCKOUTS

.25 SQ. X 1.75 KEY

DECAL-  
CONNECTION  
UNDER COVER  
WHEN REQ'D.

GASKET THROUGHOUT

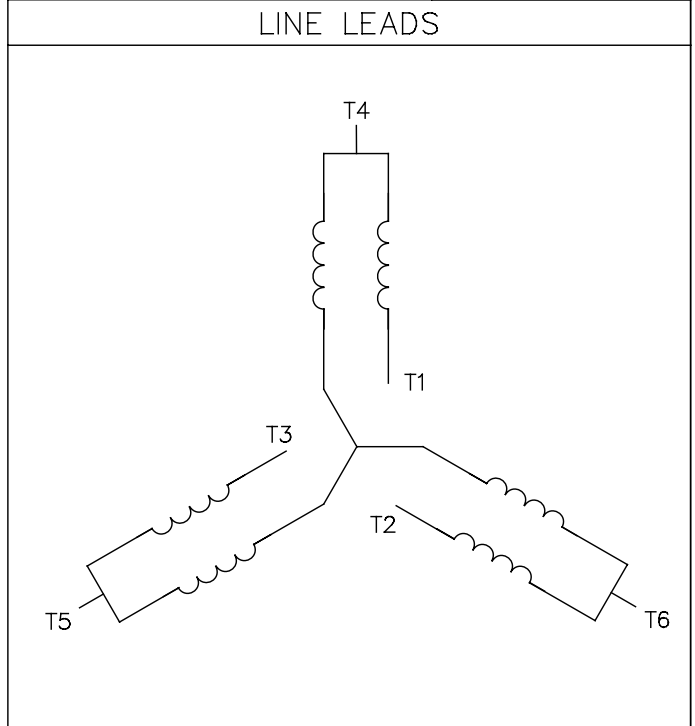
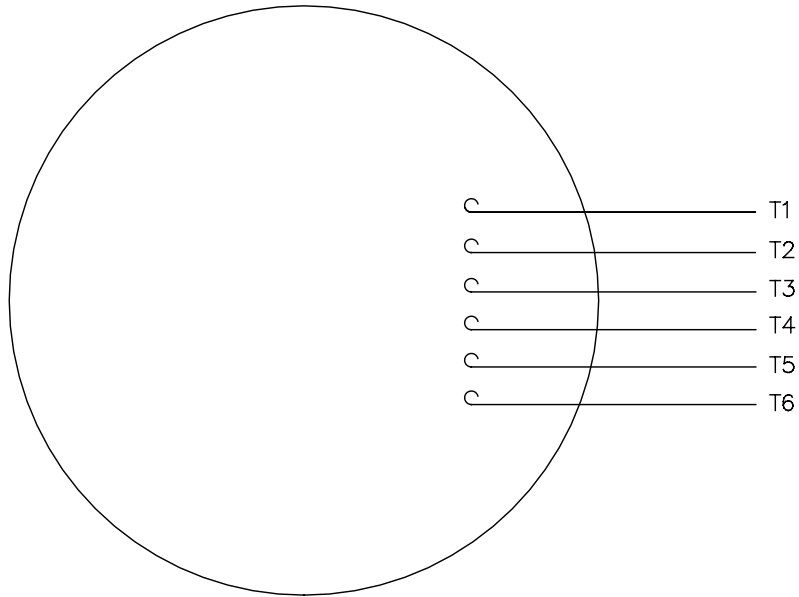


DASH NO.	"C"	"AD"
750	12.96	4.25
800	13.46	4.75
850	13.96	5.25
900	14.46	5.75
950	14.96	6.25
1000	15.46	6.75
1050	15.96	7.25
1100	16.46	7.75
1150	16.96	8.25

				TOLERANCES UNLESS SPECIFIED				DRAWN MGM 2/21/03	
				DEC INCHES				CHK	
				X ±.1		XX ±.03		APPR RDW 2/21/03	
02 REV TO MATCH ORACLE				LST 8/13/2010		XX XXX ±.005		TITLE OUTLINE - 180T FRAME	
- UPDATE & REDRAWN IN SOLIDWORKS				LST 12/10/2009		XX XXXX ±.0005		TEFC - RIGID	
NO REVISION				BY & DATE		CHK ANG ±1/2°		MATL GENERAL PURPOSE	
THIRD ANGLE PROJECTION				RFP		PREV		SCALE 1:2	
				NETWORK FILE NAME 035465		FINISH		REF 035450	
								FMF	
								PAGE OF	
								SIZE DRAWING NO	
								B 035465	
								REV 02	

005200-01

VIEW FROM OUTSIDE OF MOTOR AT SWITCH END.



SPEED	L1	L2	L3	JOIN	SEPARATE
HIGH	T6	T4	T5	(T1,T2,T3)	
LOW	T1	T2	T3		(T4)(T5) (T6)

				TOLERANCES UNLESS OTHERWISE SPECIFIED		<b>REGAL</b> <sup>TM</sup> Regal Beloit America, Inc.	
				DECIMALS			
				.00	± .01	DRAWN PG 08/08/83	
04	SPEED WAS VOLTAGE	EPB	1/17/00	.000	± .005	CH'K'D. DLL 08/09/83	
03	REDRAWN TO CURRENT STANDARDS	DBT	05/30/97	.0000	± .0005	APPR. KG 08/09/83	
NO.	REVISION	BY	DATE	FRACTIONS	± 1/64	SCALE 1=1	
THIS DRAWING IN DESIGN AND DETAIL IS OUR PROPERTY AND MUST NOT BE USED EXCEPT IN CONNECTION WITH OUR WORK ALL RIGHTS OF DESIGN AND INVENTION ARE RESERVED				ANGLES	± 1/2°	REF. 080066	
				INCH/MM		FIMF 83648D1	
						TITLE EXTERNAL WIRING DIAGRAM TYPE "T" W/O PROTECTOR	
						MAT'L. DECAL - 004183/080066	
						2 SPEED 1 WDG. VARIABLE TORQUE MOTOR	



**1051 CHEYENNE AVE.  
GRAFTON, WI 53024  
PH. 262-377-8810**

**CERTIFICATION DATA SHEET**

**CATALOG #:** 131469.00

**CONN. DIAGRAM:** 005200.01

**OUTLINE:** 035465-1050

**MOUNTING:** F1 ONLY

**WINDING #:** T8(4-8)8 FR 1 XA

**TYPICAL MOTOR PERFORMANCE DATA**

HP	kW	SYNC. RPM	F.L. RPM	FRAME	ENCLOSURE	KVA CODE	DESIGN
5&1 1/5	3.70&0.90	1800	1740&860	184T	TEFC	J	1VT

PH	Hz	VOLTS	AMPS	START TYPE	DUTY	INSL	S.F.	AMB°C
3	60/60	208-230&208-230	13&5	ACROSS THE LINE	CONTINUOUS	F4	1.0/1.0	40

FULL LOAD EFF:	84&75.5	3/4 LOAD EFF:	73.6	1/2 LOAD EFF:	68.8	GTD. EFF		ELEC. TYPE	
FULL LOAD PF:	87.2&61	3/4 LOAD PF:	53.1	1/2 LOAD PF:	41.5	0		SQ CAGE IND RUN	

F.L. TORQUE	LOCKED ROTOR AMPS	L.R. TORQUE	B.D. TORQUE	F.L. RISE°C
7.2 LB-FT	20.6	18.45 LB-FT 256 %	19.5 LB-FT 271 %	87

SOUND PRESSURE @ 3 FT.	SOUND POWER	ROTOR WK^2	MAX. WK^2	SAFE STALL TIME	STARTS / HOUR	APPROX. MOTOR WGT
0 dBA	10 dBA	-1 LB-FT^2	0 LB-FT^2	10 SEC.	0	0 LBS.

**\*\*\* SUPPLEMENTAL INFORMATION \*\*\***

DE BRACKET TYPE	ODE BRACKET TYPE	MOUNT TYPE	ORIENTATION	SEVERE DUTY	HAZARDOUS LOCATION	DRIP COVER	SCREENS	PAINT
STANDARD	STANDARD	RIGID	HORIZONTAL	FALSE	NONE	FALSE	NONE	BLUE - LEESON (ENAMEL)

BEARINGS		GREASE	SHAFT TYPE	SPECIAL DE	SPECIAL ODE	SHAFT MATERIAL	FRAME MATERIAL
DE	ODE						
BALL	BALL	POLYREX EM	T	NONE	NONE	AISI 1045 (C-240)	ROLLED STEEL
6206	6205						

THERMO-PROTECTORS				THERMISTORS	CONTROL	SPACE HEATERS
THERMOSTATS	PROTECTORS	WDG RTDs	BRG RTDs			
NONE	NOT	NONE	NONE	NONE	FALSE	NONE VOLTS

\*  
N  
O  
T  
E  
S

<b>INVERTER TORQUE:</b> NONE
<b>INV. HP SPEED RANGE:</b> NONE
<b>ENCODER:</b> NONE
NONE NONE
NONE NONE PPR
<b>BRAKE:</b> NONE NONE
NONE P/N NONE
NONE NONE
NONE FT-LB NONE V NONE HZ

Data Sheet

Date: 1/24/2018

131469.00



Data @ 230 V

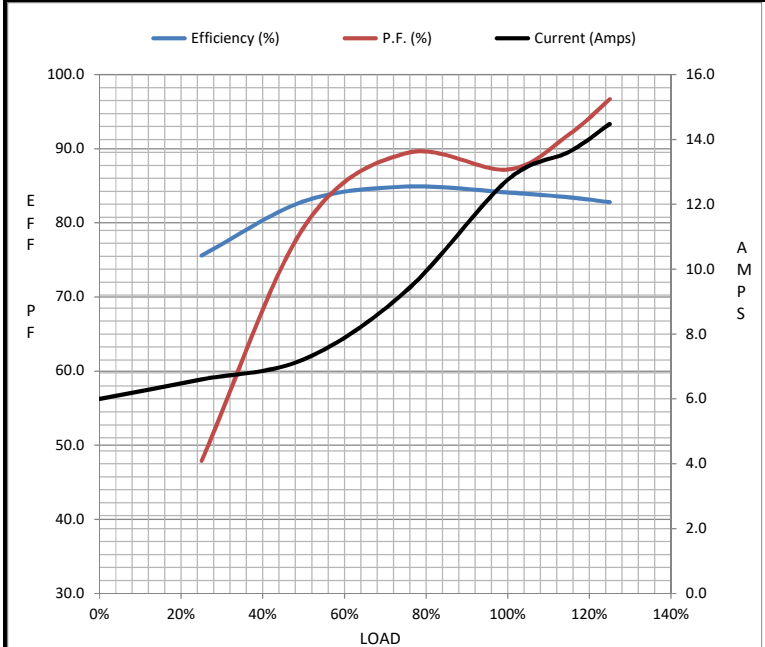
Motor Load Data

Load	0%	25%	50%	75%	100%	115%	125%	LR
Current (Amps)	6.0	6.6	7.2	9.3	12.8	13.6	14.5	106
Torque (ft-lb)	0.00	3.8	7.5	11.3	15.0	16.9	18.8	42.1
RPM	1800	1788	1777	1764	1750	1,744	1735	0
Efficiency (%)		75.6	82.9	84.9	84.1	83.5	82.8	
P.F. (%)	0.0	47.9	79.4	89.4	87.2	92.0	96.7	0.0

Motor Speed Data

	LR	Pull-Up	BD	Rated	Idle
Speed (RPM)	0	900	1656	1750	1800
Current (Amps)	106	97.5	63.6	12.8	6.0
Torque (ft-lb)	42.1	34.7	48.3	15.0	0.00

Information Block				
HP	5.0			
Sync. RPM	1800			
Frame	0			
Enclosure	TEFC			
Construction	NA			
Voltage	208-230 V			
Frequency	60 Hz			
Design	B			
LR Code letter	J			
Service Factor	1.15			
Temp Rise @ FL	0 °C			
Duty	CONT			
Ambient	40 °C			
Elevation	1,000 feet			
Rotor/Shaft wk <sup>2</sup>	-1.00 Lb-Ft <sup>2</sup>			
Ref Wdg	T8(4-8)8 FR			
Sound Pressure @ 1M	0 dBA			
VFD Rating	NONE			
Outline Dwg	035465-1050			
Conn. Diag	005200.01			
Additional Specifications:				
0				
0				
EQUIV CKT (OHMS / PHASE)				
R1	R2	X1	X2	Xm
0.0000	0.0000	0.0000	0.0000	0.0000



Speed - Torque Curve

