

PRODUCT INFORMATION PACKET



Model No: 131468.00

Catalog No: 131468.00

Definite Purpose Motor, 3 & 0.75 HP, 3 Ph, 60 & 60 Hz, 208-230 & 208-230 V, 1800 & 1800 RPM,
184T Frame, TEFC



Regal and Leeson are trademarks of Regal Rexnord Corporation or one of its affiliated companies.

©2023 Regal Rexnord Corporation, All Rights Reserved. MC017097E





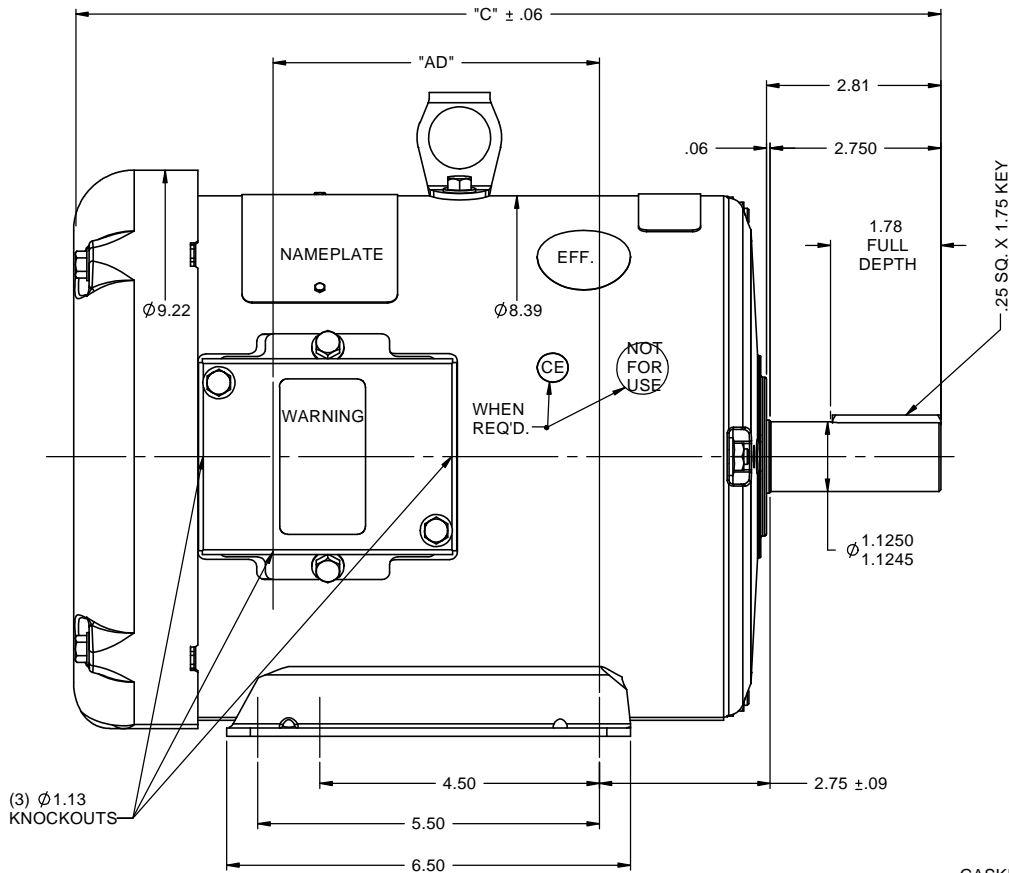
Nameplate Specifications

Phase	3	Output HP	3 & 0.75 Hp
Output KW	2.2 & 0.56 kW	Voltage	208-230 & 208-230 V
Speed	1725 & 850 rpm	Service Factor	1.0 & 1.0
Frame	184T	Enclosure	Totally Enclosed Fan Cooled
Thermal Protection	No Protection	Efficiency	81.5 & 72 %
Ambient Temperature	40 °C	Frequency	60 & 60 Hz
Current	8 & 3.6 A	Power Factor	88.3
Duty	Continuous	Insulation Class	F
Design Code	1VT	KVA Code	J
Drive End Bearing Size	6206	Opp Drive End Bearing Size	6205
UL	Recognized	CSA	Y
CE	N	IP Code	43
Number of Speeds	1		

Technical Specifications

Electrical Type	Squirrel Cage Induction Run	Starting Method	Across The Line
Poles	4	Rotation	Reversible
Resistance Main	6.4 Ohms	Mounting	Rigid Base
Motor Orientation	Horizontal	Drive End Bearing	Ball
Opp Drive End Bearing	Ball	Frame Material	Rolled Steel
Shaft Type	T	Overall Length	14.46 in
Frame Length	9.00 in	Shaft Diameter	1.125 in
Shaft Extension	2.75 in	Assembly/Box Mounting	F1 ONLY
Outline Drawing	035465-900	Connection Drawing	005200.01

RBC PROPRIETARY AND CONFIDENTIAL INFORMATION
 This document is the property of REGAL BELOIT CORPORATION ("RBC") including its subsidiaries and divisions and contains proprietary information of RBC. This document is loaned on the express condition that neither it nor the information contained therein shall be disclosed to others without the express written consent of RBC, and that the information shall be used by the recipient only as approved expressly by RBC. This document shall be returned to RBC upon its request. This document may be subject to certain restrictions under U.S. export control laws and regulations.

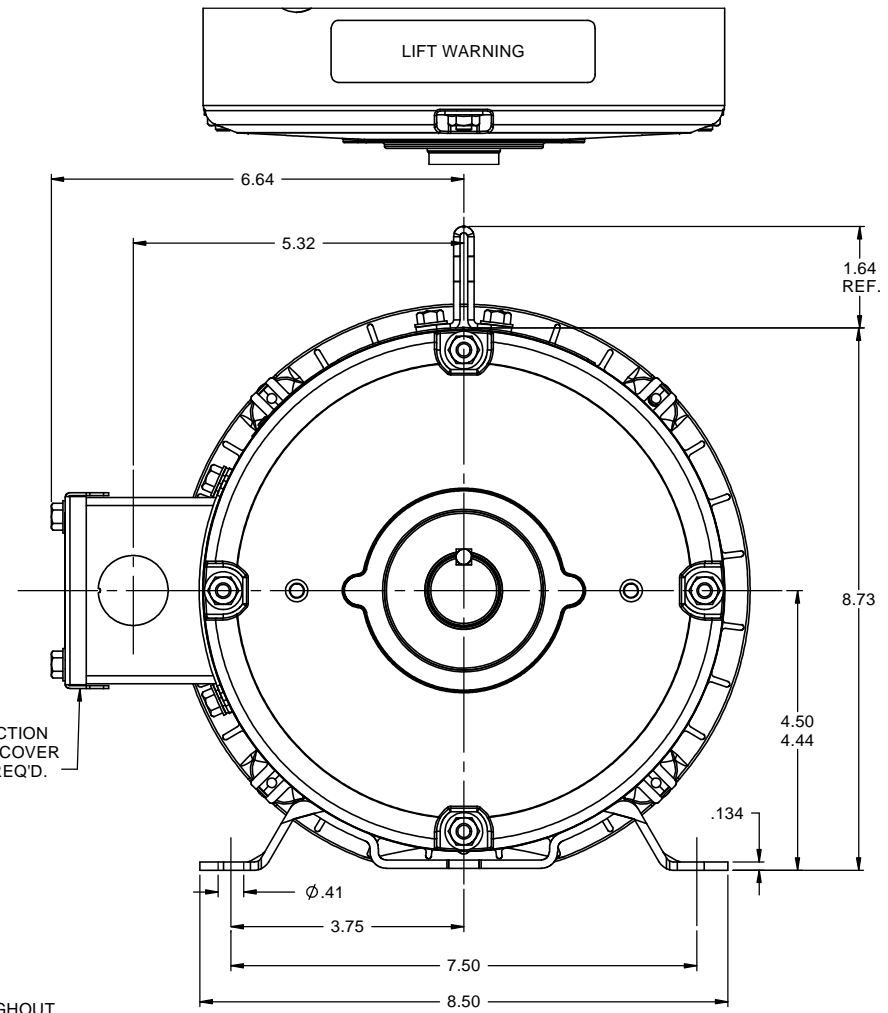


(3) Ø1.13 KNOCKOUTS

.25 SQ. X 1.75 KEY

DECAL-
CONNECTION
UNDER COVER
WHEN REQ'D.

GASKET THROUGHOUT

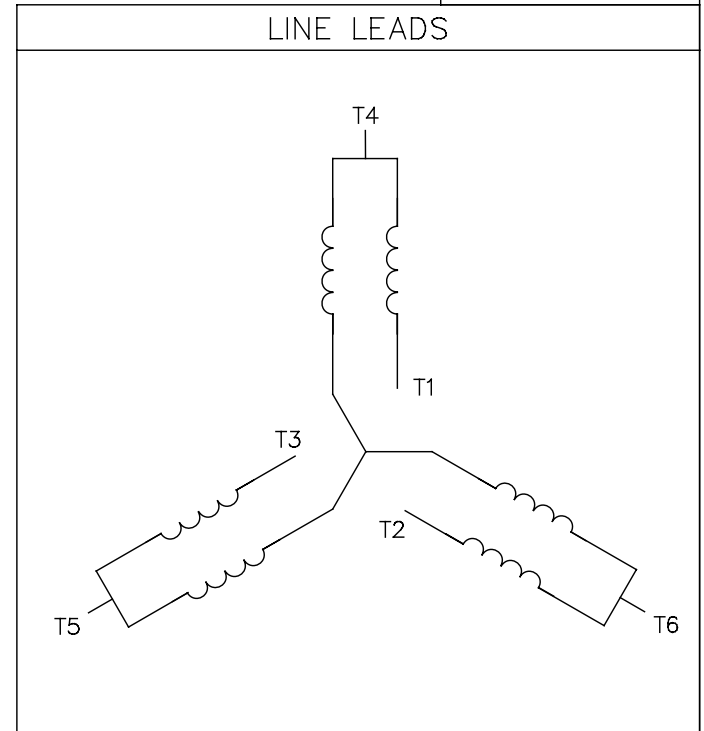
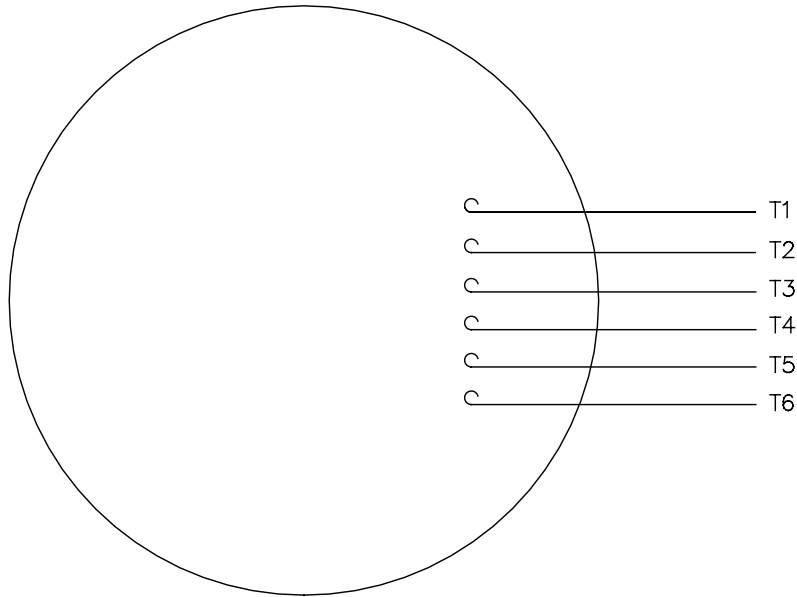


DASH NO.	"C"	"AD"
750	12.96	4.25
800	13.46	4.75
850	13.96	5.25
900	14.46	5.75
950	14.96	6.25
1000	15.46	6.75
1050	15.96	7.25
1100	16.46	7.75
1150	16.96	8.25

		TOLERANCES UNLESS SPECIFIED				DRAWN MGM 2/21/03	
		DEC INCHES				CHK	
		X ±.1		XX ±.03		APPR RDW 2/21/03	
02 REV TO MATCH ORACLE		LST 8/13/2010		XX XXX ±.005		SCALE 1:2	
- UPDATE & REDRAWN IN SOLIDWORKS		LST 12/10/2009		XX XXXX ±.0005		REF 035450	
NO REVISION		BY & DATE		CHK LANG ±1/2"		FMF	
THIRD ANGLE PROJECTION		RFP		PREV		PAGE OF	
		NETWORK FILE NAME 035465		SIZE B		DRAWING NO 035465	
						REV 02	

005200-01

VIEW FROM OUTSIDE OF MOTOR AT SWITCH END.



SPEED	L1	L2	L3	JOIN	SEPARATE
HIGH	T6	T4	T5	(T1,T2,T3)	
LOW	T1	T2	T3		(T4)(T5) (T6)

				TOLERANCES UNLESS OTHERWISE SPECIFIED		Regal Beloit America, Inc.				
				DECIMALS						
				.00	± .01	DRAWN PG 08/08/83	TITLE EXTERNAL WIRING DIAGRAM TYPE "T" W/O PROTECTOR			
04	SPEED WAS VOLTAGE	EPB	1/17/00	.000	± .005	CH'K'D. DLL 08/09/83				
03	REDRAWN TO CURRENT STANDARDS	DBT	05/30/97	.0000	± .0005	APPR. KG 08/09/83	MAT'L. DECAL - 004183/080066 2 SPEED 1 WDG. VARIABLE TORQUE MOTOR			
NO.	REVISION	BY	DATE	FRACTIONS	± 1/64	SCALE 1=1				
THIS DRAWING IN DESIGN AND DETAIL IS OUR PROPERTY AND MUST NOT BE USED EXCEPT IN CONNECTION WITH OUR WORK ALL RIGHTS OF DESIGN AND INVENTION ARE RESERVED				ANGLES		± 1/2°	REF. 080066	FINISH	SIZE	DRAWING NO.
				INCH/MM			FMF 83648D1		A	005200-01

Data Sheet

Date: 1/30/2018

131468.00



Data @ 230 V

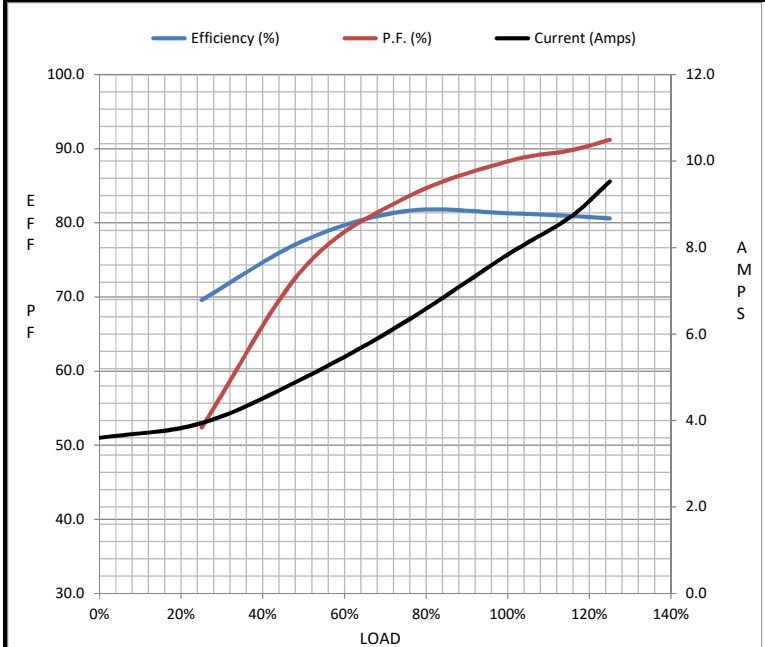
Motor Load Data

Load	0%	25%	50%	75%	100%	115%	125%	LR
Current (Amps)	3.6	3.9	5.0	6.3	7.8	8.7	9.5	55.0
Torque (ft-lb)	0.00	2.25	4.5	6.8	9.0	10.2	11.3	22.2
RPM	1800	1790	1778	1766	1753	1.747	1737	0
Efficiency (%)		69.6	77.6	81.6	81.3	81.0	80.6	
P.F. (%)	18.0	52.4	73.9	83.4	88.3	89.8	91.2	0.0

Motor Speed Data

	LR	Pull-Up	BD	Rated	Idle
Speed (RPM)	0	900	1656	1753	1800
Current (Amps)	55.0	50.6	33.0	7.8	3.6
Torque (ft-lb)	22.2	18.3	26.8	9.0	0.00

Information Block				
HP	3.0			
Sync. RPM	1800			
Frame	0			
Enclosure	TEFC			
Construction	TFW			
Voltage	208-230 V			
Frequency	60 Hz			
Design	B			
LR Code letter	J			
Service Factor	1.15			
Temp Rise @ FL	59 °C			
Duty	CONT			
Ambient	40 °C			
Elevation	1,000 feet			
Rotor/Shaft wk ²	0.44 Lb-Ft ²			
Ref Wdg	T8(4-8)11 FR			
Sound Pressure @ 1M	0 dBA			
VFD Rating	NONE			
Outline Dwg	035465-900			
Conn. Diag	005200.01			
Additional Specifications:				
0				
0				
EQUIV CKT (OHMS / PHASE)				
R1	R2	X1	X2	Xm
0.0000	0.0000	0.0000	0.0000	0.0000



Speed - Torque Curve

