

PRODUCT INFORMATION PACKET



Model No: 131459.00

Catalog No: 131459.00

Special Voltage Motor, 3 HP, 3 Ph, 50 Hz, 220/380/440 V, 1500 & 1500 RPM, 182T Frame, TEFC



Regal and Leeson are trademarks of Regal Rexnord Corporation or one of its affiliated companies.

©2025 Regal Rexnord Corporation, All Rights Reserved. MC017097E





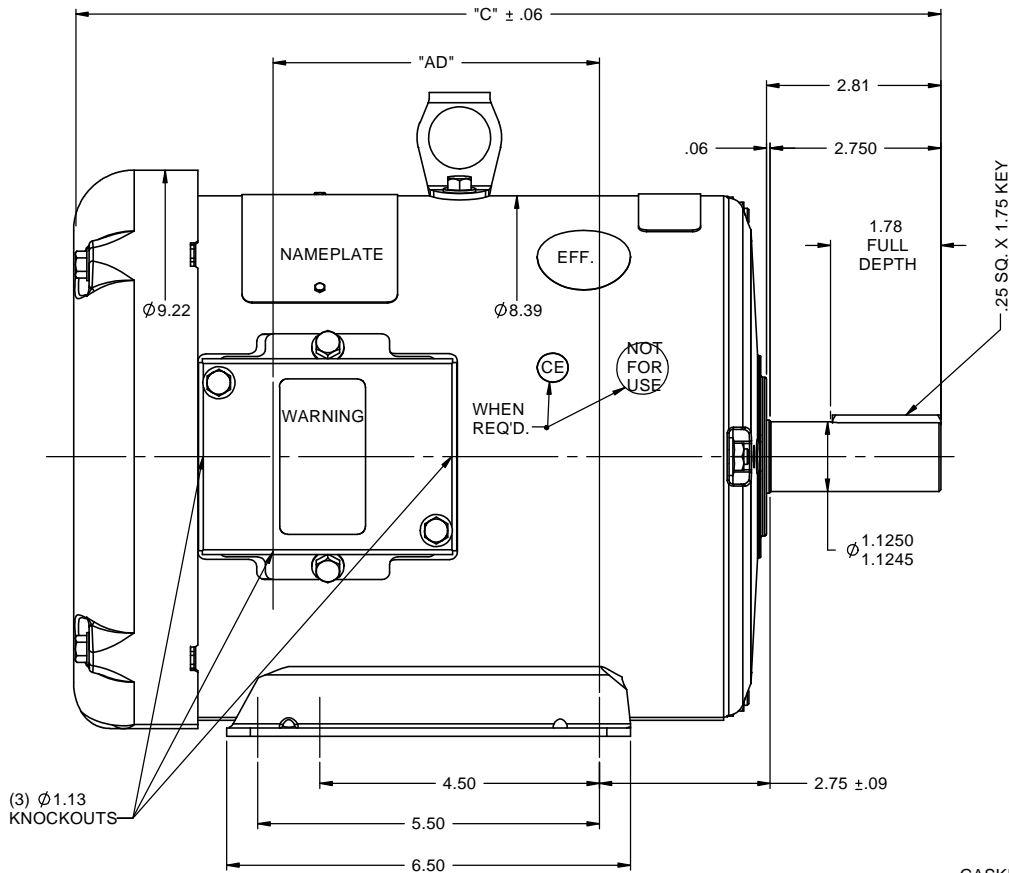
Nameplate Specifications

Phase	3	Output HP	3 Hp
Output KW	2.2 kW	Voltage	220/380/440 V
Speed	1425 r/min	Service Factor	1.15
Frame	182T	Enclosure	Totally Enclosed Fan Cooled
Thermal Protection	No Protection	Efficiency	82.5 %
Ambient Temperature	40 °C	Frequency	50 Hz
Current	8.2/4.7/4.1 A	Power Factor	80.5
Duty	Continuous	Insulation Class	F
Design Code	B	KVA Code	J
Drive End Bearing Size	6206	Opp Drive End Bearing Size	6205
UL	Recognized	CSA	Y
CE	Y	IP Code	43
Number of Speeds	1		

Technical Specifications

Electrical Type	Squirrel Cage Induction Run	Starting Method	Across The Line
Poles	4	Rotation	Reversible
Resistance Main	1.5 O	Mounting	Rigid Base
Motor Orientation	Horizontal	Drive End Bearing	Ball
Opp Drive End Bearing	Ball	Frame Material	Rolled Steel
Shaft Type	T	Overall Length	13.46 in
Frame Length	8.00 in	Shaft Diameter	1.125 in
Shaft Extension	2.75 in	Assembly/Box Mounting	F1/F2 CAPABLE
Connection Drawing	005381.01	Outline Drawing	035465-800

RBC PROPRIETARY AND CONFIDENTIAL INFORMATION
 This document is the property of REGAL BELOIT CORPORATION ("RBC") including its subsidiaries and divisions and contains proprietary information of RBC. This document is loaned on the express condition that neither it nor the information contained therein shall be disclosed to others without the express written consent of RBC, and that the information shall be used by the recipient only as approved expressly by RBC. This document shall be returned to RBC upon its request. This document may be subject to certain restrictions under U.S. export control laws and regulations.

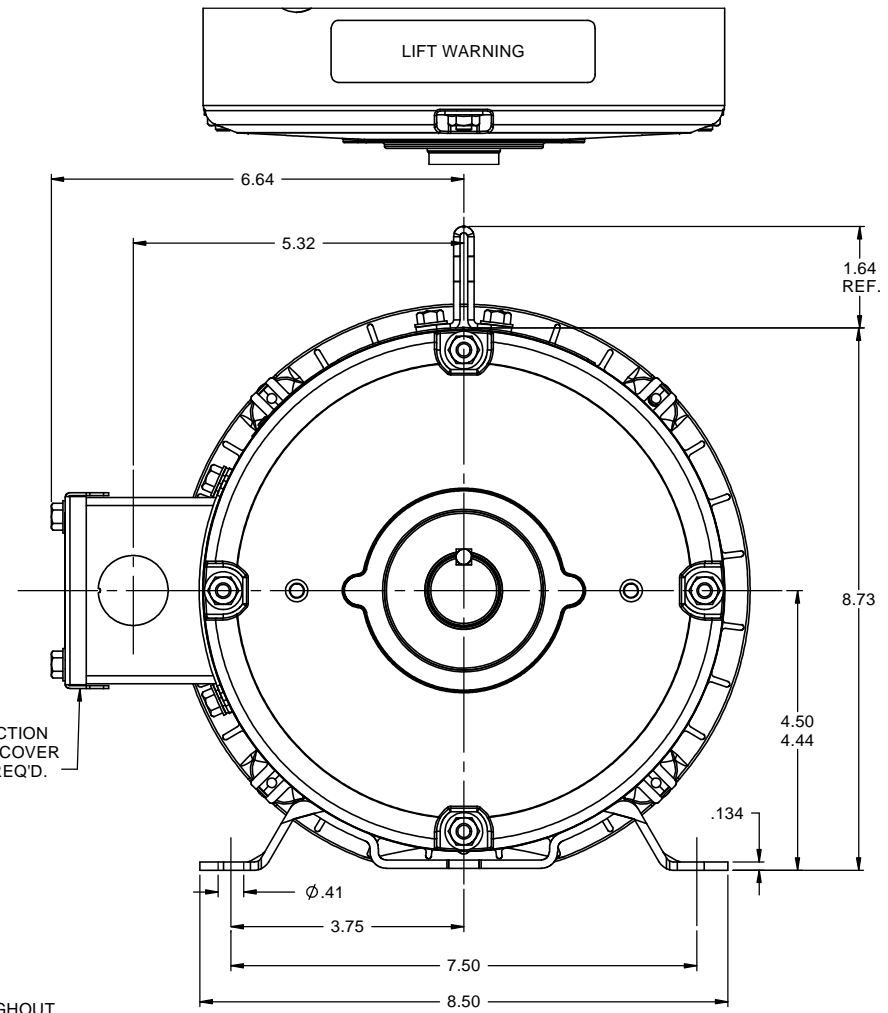


(3) Ø1.13 KNOCKOUTS

.25 SQ. X 1.75 KEY

DECAL-
CONNECTION
UNDER COVER
WHEN REQ'D.

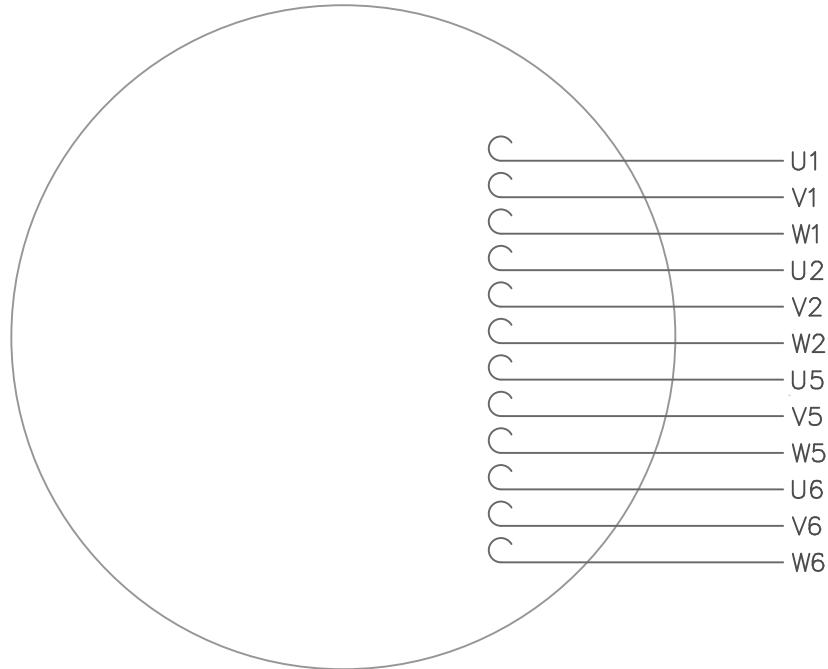
GASKET THROUGHOUT



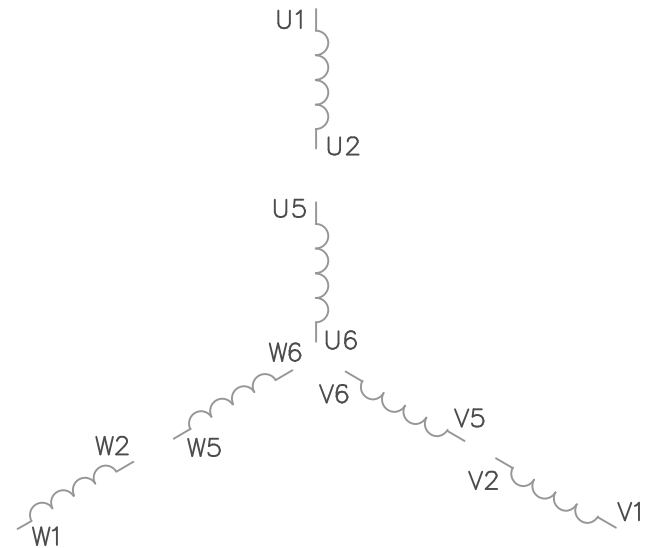
DASH NO.	"C"	"AD"
750	12.96	4.25
800	13.46	4.75
850	13.96	5.25
900	14.46	5.75
950	14.96	6.25
1000	15.46	6.75
1050	15.96	7.25
1100	16.46	7.75
1150	16.96	8.25

				TOLERANCES UNLESS SPECIFIED				DRAWN MGM 2/21/03	
				DEC INCHES				CHK	
				X ±.1		XX ±.03		APPR RDW 2/21/03	
02 REV TO MATCH ORACLE				LST 8/13/2010		XX XXX ±.005		TITLE OUTLINE - 180T FRAME	
- UPDATE & REDRAWN IN SOLIDWORKS				LST 12/10/2009		XX XXXX ±.0005		TEFC - RIGID	
NO REVISION				BY & DATE		CHK ANG ±1/2°		MATL GENERAL PURPOSE	
THIRD ANGLE PROJECTION				RFP		PREV		FMF	
				NETWORK FILE NAME 035465		FINISH		PAGE OF	
						SIZE B		DRAWING NO 035465	
								REV 02	

VIEW FROM OUTSIDE OF MOTOR AT SWITCH END.



LINE LEADS



VOLTAGE	L1	L2	L3	JOIN
(2Δ) LOW	U1,W2 U5,W6	V1,U2 V5,U6	W1,V2 W5,V6	----
(2Y) MEDIUM	U1,U5	V1,V5	W1,W5	(U2,V2,W2) (U6,V6,W6)
(1Δ) HIGH	U1,W6	V1,U6	W1,V6	(U2,U5) (V2,V5) (W2,W5)

TOLERANCES UNLESS OTHERWISE SPECIFIED

DECIMALS

.00 ± .01

.000 ± .005

.0000 ± .0005

FRACTIONS ± 1/64

ANGLES ± 1/2°

INCH/MM

LEESON ELECTRIC CORPORATION

DRAWN GWS 2/23/96

CH'K'D.

APPR.

SCALE 1=1

REF. 005352 PG 3

FMF

TITLE

MAT'L.

FINISH

EXT. WIRING DIAGRAM

TYPE "T" W/O PROTECTOR

DECAL - 080590

STOCK

SIZE

A

DRAWING NO.

005381-01

1 REDRAWN TO CURRENT STANDARDS

NO. REVISION

DBT

BY

05/30/97

DATE

THIS DRAWING IN DESIGN AND DETAIL IS OUR PROPERTY AND MUST NOT BE USED EXCEPT IN CONNECTION WITH OUR WORK ALL RIGHTS OF DESIGN AND INVENTION ARE RESERVED

Data Sheet

Date: 1/24/2018

131459.00



Data @ **380 V**

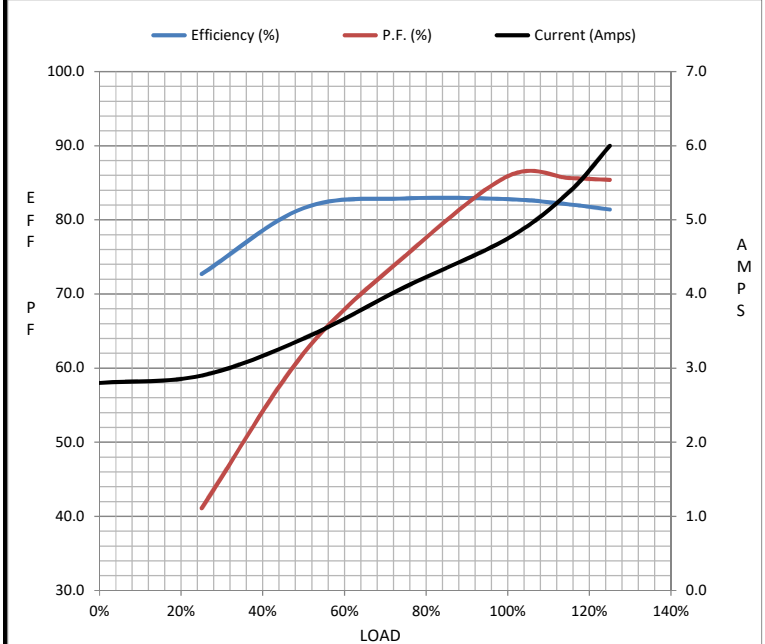
Motor Load Data

Load	0%	25%	50%	75%	100%	115%	125%	LR
Current (Amps)	2.80	2.90	3.4	4.1	4.8	5.4	6.0	36.0
Torque (ft-lb)	0.00	2.70	5.4	8.1	10.8	12.2	13.5	32.0
RPM	1500	1487	1476	1462	1448	1,442	1432	0
Efficiency (%)		72.7	81.6	82.9	82.8	82.1	81.4	
P.F. (%)	10.9	41.1	62.0	75.2	85.9	85.7	85.4	0.0

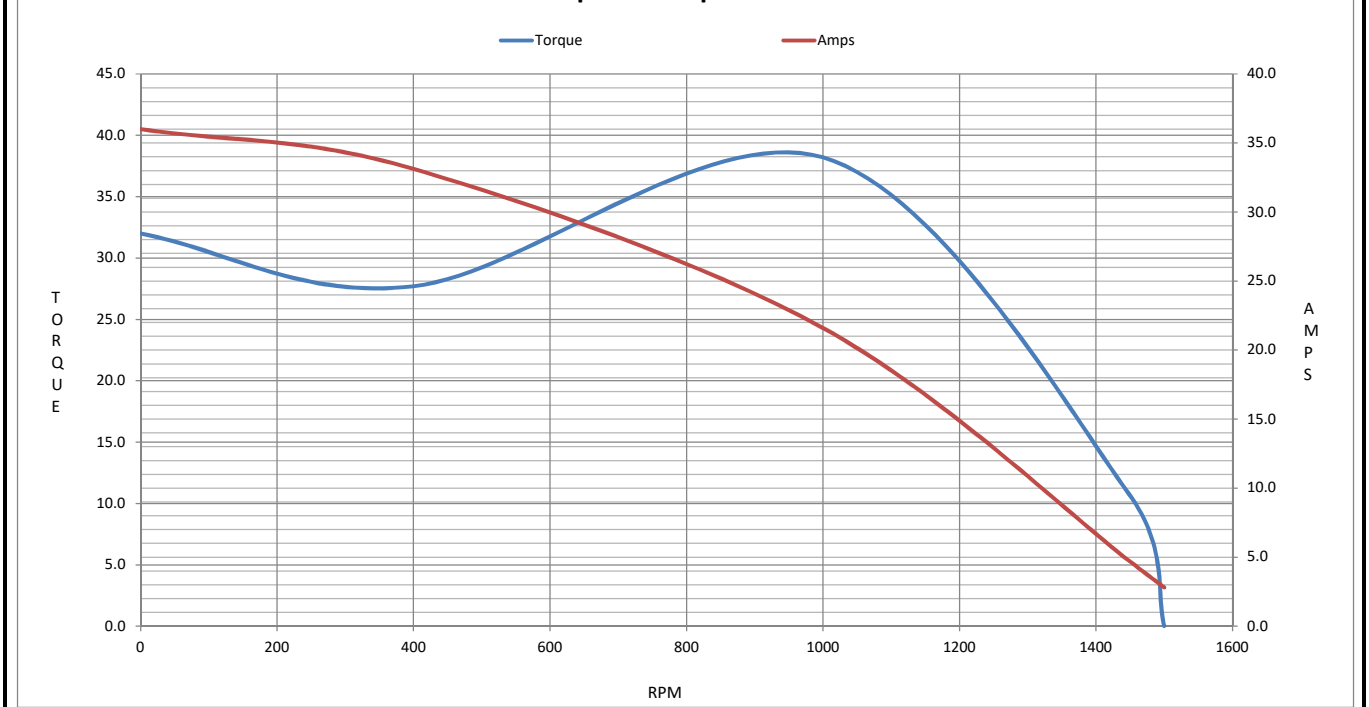
Motor Speed Data

	LR	Pull-Up	BD	Rated	Idle
Speed (RPM)	0	400	1000	1448	1500
Current (Amps)	36.0	33.1	21.6	4.8	2.80
Torque (ft-lb)	32.0	27.7	38.2	10.8	0.00

Information Block				
HP	3.0			
Sync. RPM	1500			
Frame	182			
Enclosure	TEFC			
Construction	TFW			
Voltage	220/380 V			
Frequency	50 Hz			
Design	B			
LR Code letter	J			
Service Factor	1.15			
Temp Rise @ FL	85 °C			
Duty	CONT			
Ambient	40 °C			
Elevation	1,000 feet			
Rotor/Shaft wk ²	0.31 Lb-Ft ²			
Ref Wdg	T8447 FR			
Sound Pressure @ 1M	999 dBA			
VFD Rating	NONE			
Outline Dwg	035465-800			
Conn. Diag	005381.01			
Additional Specifications:				
0				
0				
EQUIV CKT (OHMS / PHASE)				
R1	R2	X1	X2	Xm
0.0000	0.0000	0.0000	0.0000	0.0000



Speed - Torque Curve



EC Declaration of Conformity

The undersigned representing
the manufacturer:

Regal Beloit America
100 East Randolph St.
Wausau, WI 54401

and the authorized representative
established within the Community:

Marathon Electric UK
6F Thistleton Road Ind. Estate
Market Overton
Oakham, Rutland LE15 7PP UK

are committed to providing customers with products that comply with applicable regulations and international protocols to which they are subject, including the requirements of the European Parliament Directive on the Harmonization of the laws relating to electrical equipment designed for use within certain voltage limits (2014/35/EU).

Regal Beloit America declares that the following product(s), to which this declaration relates, are in conformity with the relevant sections of the EC standards listed below.

This statement supersedes any statements previously issued pertaining to the product(s) listed below and is subject to change without notice.

Model No : 131459.00

(Model No. may contain prefix and/or suffix characters)

Catalog No : 131459.00

Rework No : N/A

Directives :

Low Voltage Directive 2014/35/EU

Harmonized Standards Used :

EN 60034-1: 2010 (IEC 60034-1: 2010)

EN 60034-5: 2001/A1:2007 (IEC 60034-5: 2000/A1:2006)

Authorized Representative:



Michael A. Logsdon
Vice President, Technology

Authorized Representative in the Community:



Julian Clark
Marketing Engineer

Created on 09/01/2022

CE 22