

PRODUCT INFORMATION PACKET



Model No: 193236.60

Catalog No: 193236.60

15HP.11KW.1765RPM.160M.IP55./575V.3PH.60HZ.CONT.NOT.40C.1.15SF.B3.IEC METRIC.C160T17FZ7C

Regal and Leeson are trademarks of Regal Rexnord Corporation or one of its affiliated companies.

©2023 Regal Rexnord Corporation, All Rights Reserved. MC017097E





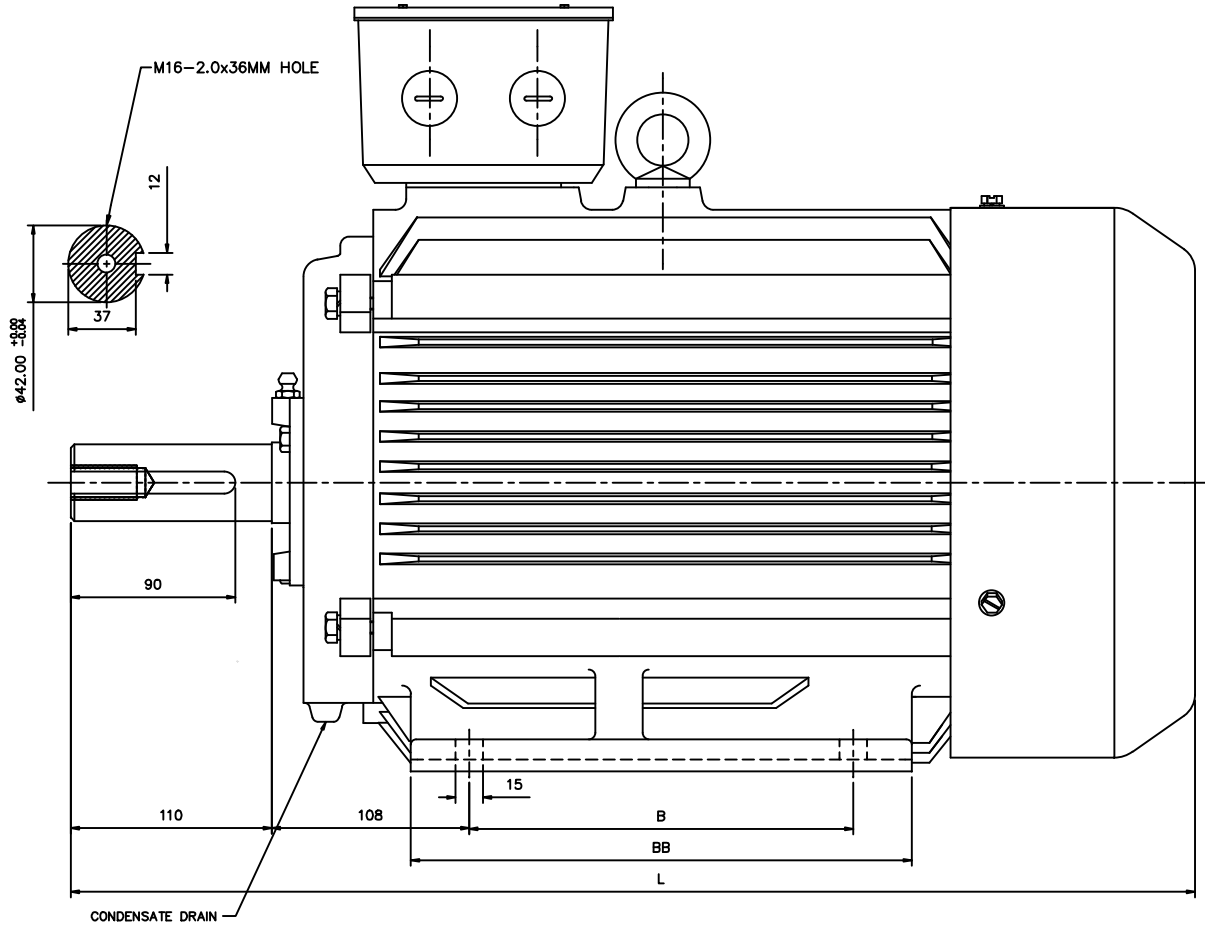
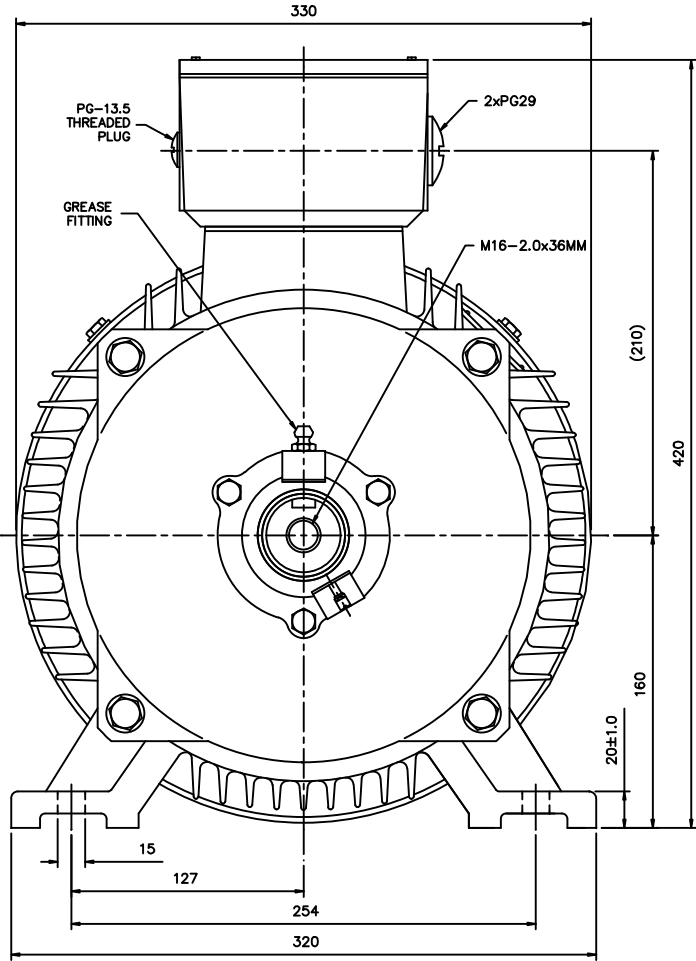
Nameplate Specifications

Output HP	15 Hp	Output KW	11.2 kW
Frequency	60 Hz	Voltage	575 V
Current	14.6 A	Speed	1765 rpm
Service Factor	1.15	Phase	3
Efficiency	91 %	Power Factor	84.3
Duty	Continuous	Insulation Class	F
Design Code	B	KVA Code	H
Frame	DF160M	Enclosure	IP55
Thermal Protection	No Protection	Ambient Temperature	40 °C
Drive End Bearing Size	6309	Opp Drive End Bearing Size	6308
UL	Recognized	CSA	Y
CE	N	IP Code	55
Number of Speeds	1		

Technical Specifications

Electrical Type	Squirrel Cage Induction Run	Starting Method	Across The Line
Poles	4	Rotation	Reversible
Resistance Main	.987 Ohms	Mounting	B3
Motor Orientation	Nan	Drive End Bearing	Ball
Opp Drive End Bearing	Ball	Frame Material	Cast Iron
Shaft Type	IEC	Assembly/Box Mounting	NAN
Outline Drawing	16989460		

This is an uncontrolled document once printed or downloaded and is subject to change without notice. Date Created:03/30/2023



FRAME	B	BB	L
DF160M	210	274	615
DF160L	254	318	670

		TOLERANCES UNLESS SPECIFIED		LEESON	ELECTRIC MOTORS GEARMOTORS AND DRIVES	DRAWN			
		DEC.	METRIC			MG	12/10/02		
		.X	±2.5			CHK			
		.XX	±.76		TITLE	APPD			
		.XXX	±.127		OUTLINE - DF160-F3	SCALE 1=25.4			
1	CORRECTED DIMENSIONS ISAAC 10-5238	.XXXX	±.0127		MAT'L	REF			
NO.	REVISION	BY & DATE	CHK	ANG	FINISH	PREV			
			±1/2"						
THIS DRAWING IN DESIGN AND DETAIL IS OUR PROPERTY AND MUST NOT BE USED EXCEPT IN CONNECTION WITH OUR WORK ALL RIGHTS OF DESIGN AND INVENTION ARE RESERVED THIS IS AN ELECTRONICALLY GENERATED DOCUMENT - DO NOT SCALE THIS PRINT				RFP	CAD FILE	16989460	SIZE	DRAWING NO.	REV.
				DIST		B	169894-60	1	