

PRODUCT INFORMATION PACKET

Model No: 131084.00

Catalog No: 131084.00

5HP..1440RPM.NAN.DP.220/380-415V.3PH.50HZ.CONT.NOT.40C.1.15SF.A FLANGE..C184T14DZ1E

Regal and are trademarks of Regal Rexnord Corporation or one of its affiliated companies.
©2022 Regal Rexnord Corporation, All Rights Reserved. MC017097E



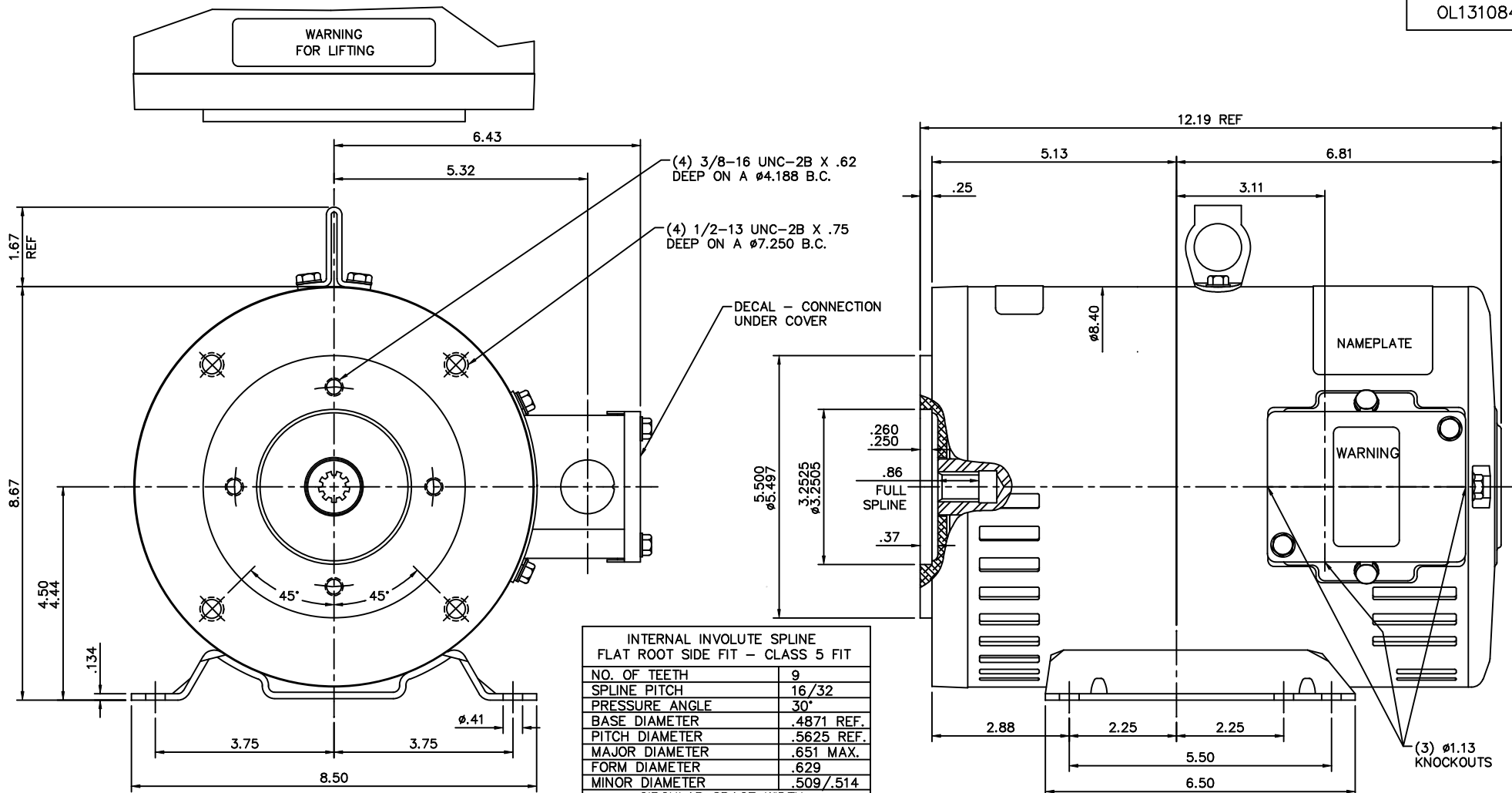
Nameplate Specifications

Output HP	5 Hp	Output KW	3.7 kW
Frequency	50 Hz	Voltage	220/380-415 V
Current	14.0/8.1-8.1 A	Speed	1440 rpm
Service Factor	1.15	Phase	3
Efficiency	87 %	Power Factor	80
Duty	Continuous	Insulation Class	F
Design Code	B	KVA Code	L
Frame	184Y	Enclosure	Drip Proof
Thermal Protection	No Protection	Ambient Temperature	40 °C
Drive End Bearing Size	6206	Opp Drive End Bearing Size	6205
UL	Recognized	CSA	Y
CE	N	IP Code	23
Number of Speeds	1		

Technical Specifications

Electrical Type	Squirrel Cage Induction Run	Starting Method	Across The Line
Poles	4	Rotation	Reversible
Resistance Main	0 Ohms	Mounting	Rigid Base
Motor Orientation	Horizontal	Drive End Bearing	Ball
Opp Drive End Bearing	Ball	Frame Material	Rolled Steel
Shaft Type	Single Special Extension	Assembly/Box Mounting	F2 ONLY
Outline Drawing	OL131084	Connection Drawing	005017.01

This is an uncontrolled document once printed or downloaded and is subject to change without notice. Date Created:11/01/2022



INTERNAL INVOLUTE SPLINE
FLAT ROOT SIDE FIT - CLASS 5 FIT

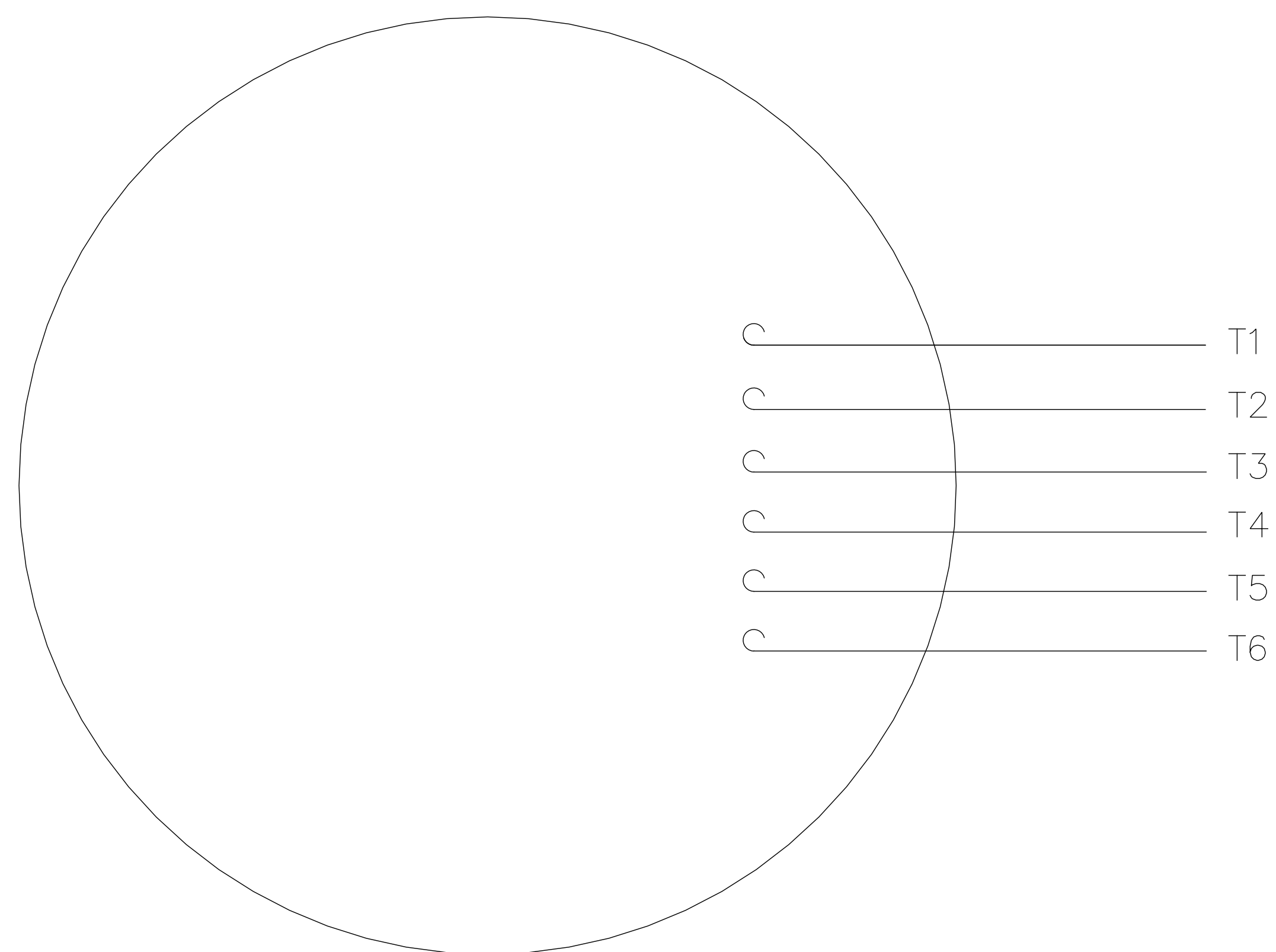
NO. OF TEETH	9
SPLINE PITCH	16/32
PRESSURE ANGLE	30°
BASE DIAMETER	.4871 REF.
PITCH DIAMETER	.5625 REF.
MAJOR DIAMETER	.651 MAX.
FORM DIAMETER	.629
MINOR DIAMETER	.509/.514
CIRCULAR SPACE WIDTH	
MAXIMUM ACTUAL	.1008
MINIMUM EFFECTIVE	.0982

NOTES:

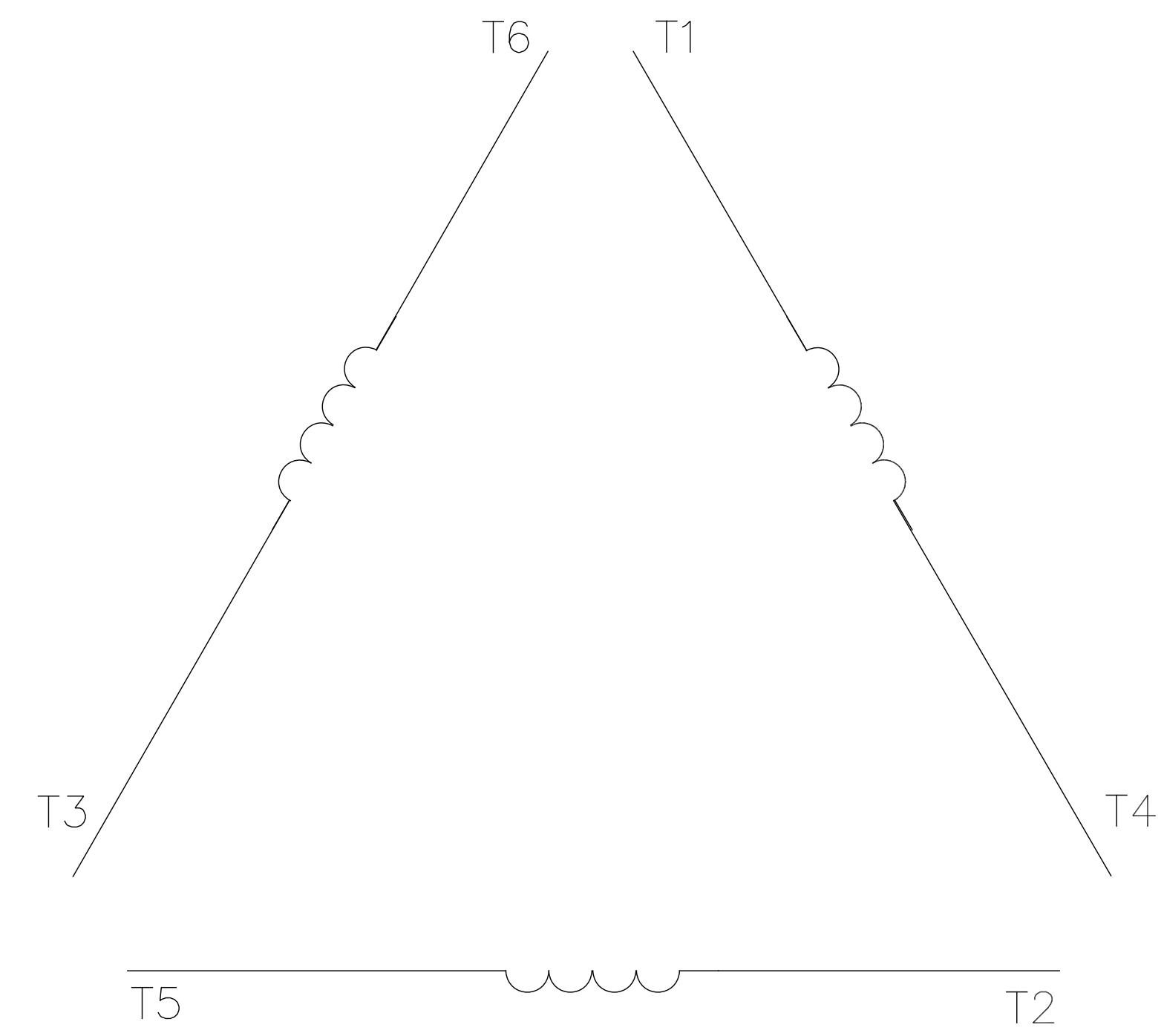
- 1) MAXIMUM FACE RUNOUT TO BE .004 T.I.R.
- 2) MAXIMUM PILOT ECCENTRICITY .004 T.I.R.
- 3) MAXIMUM SPLINE PITCH DIAMETER RUNOUT TO BE .004 T.I.R.
- 4) BASE & MOUNTING TAPS TO BE SQUARE & PARALLEL TO EACH OTHER ±1/32° MAXIMUM
- 5) GASKETS THROUGHOUT

05	UPDATED PER MT2 CONVERSION ISAAC 10-0303	LST	1/22/10		UNLESS SPECIFIED		ELECTRIC MOTORS GEARMOTORS AND DRIVES	DRAWN	JJK 8/27/98			
04	UPDATED VIEW OF SIDEBOX	RDW	11/13/06	KH	DEC.			INCHES	CHK	PG 8/27/98		
03	MOTOR LENGTH REDUCED 1/8" PER ENDBELL CHANGE	RDW	10/28/04	SW	.X			±.1	APPD			
	ECO 04-1041				.XX	±.03	TITLE	SCALE	1=2			
02	MOTOR WAS F1 MOUNT PER ECO 99-1125	BJB	8/30/99		.XXX	±.005	OUTLINE - 184Y FRAME DRIP PROOF - RIGID - SAE A-FLANGE	REF	035169			
01	REDRAWN TO 180 REDESIGN PER ECO 99-301	RSK	3/29/99		.XXXX	±.0005	MAT'L	FMF				
NO.	REVISION	BY & DATE	CHK	ANG	±1/2'		FINISH	PREV				
THIS DRAWING IN DESIGN AND DETAIL IS OUR PROPERTY AND MUST NOT BE USED EXCEPT IN CONNECTION WITH OUR WORK. ALL RIGHTS OF DESIGN AND INVENTION ARE RESERVED. THIS IS AN ELECTRONICALLY GENERATED DOCUMENT - DO NOT SCALE THIS PRINT							RFP	CAD FILE	OL131084	SIZE	DRAWING NO.	REV.
							DIST		B	OL131084	05	


005017-01



LINE LEADS



	L1	L2	L3	JOIN
HIGH VOLT	T1	T2	T3	T4,T5,T6
LOW VOLT	T1,T6	T2,T4	T3,T5	-----

				TOLERANCES UNLESS OTHERWISE SPECIFIED		 Regal Beloit America, Inc.				
				DECIMALS						
				.00	± .01	DRAWN	MM 01/14/74	TITLE	EXT. WIRING DIAGRAM	
08	LOGO WAS LESSON	KIR	04/16/16	.000	± .005	CH'K'D.	WRK 02/05/74	DECAL 004021		
07	REDRAWN ON CAD	NFC	06/30/99	.0000	± .0005	APPR.	JCW 02/07/80	MAT'L.	NLV	BRF
NO.	REVISION	BY	DATE	FRACTIONS	± 1/64	SCALE				
THIS DRAWING IN DESIGN AND DETAIL IS OUR PROPERTY AND MUST NOT BE USED EXCEPT IN CONNECTION WITH OUR WORK ALL RIGHTS OF DESIGN AND INVENTION ARE RESERVED				ANGLES	± 1/2°	REF.	FIG 2-54	FINISH	SIZE	DRAWING NO.
				INCH/MM		FMF	B-VAC		A	005017-01