

PRODUCT INFORMATION PACKET



Model No: 118014.00
Catalog No: 118014.00
Metric Motor, 3 HP, 180 V, 1750 RPM, 112MD Frame, TEFC



Regal and Leeson are trademarks of Regal Rexnord Corporation or one of its affiliated companies.
©2023 Regal Rexnord Corporation, All Rights Reserved. MC017097E





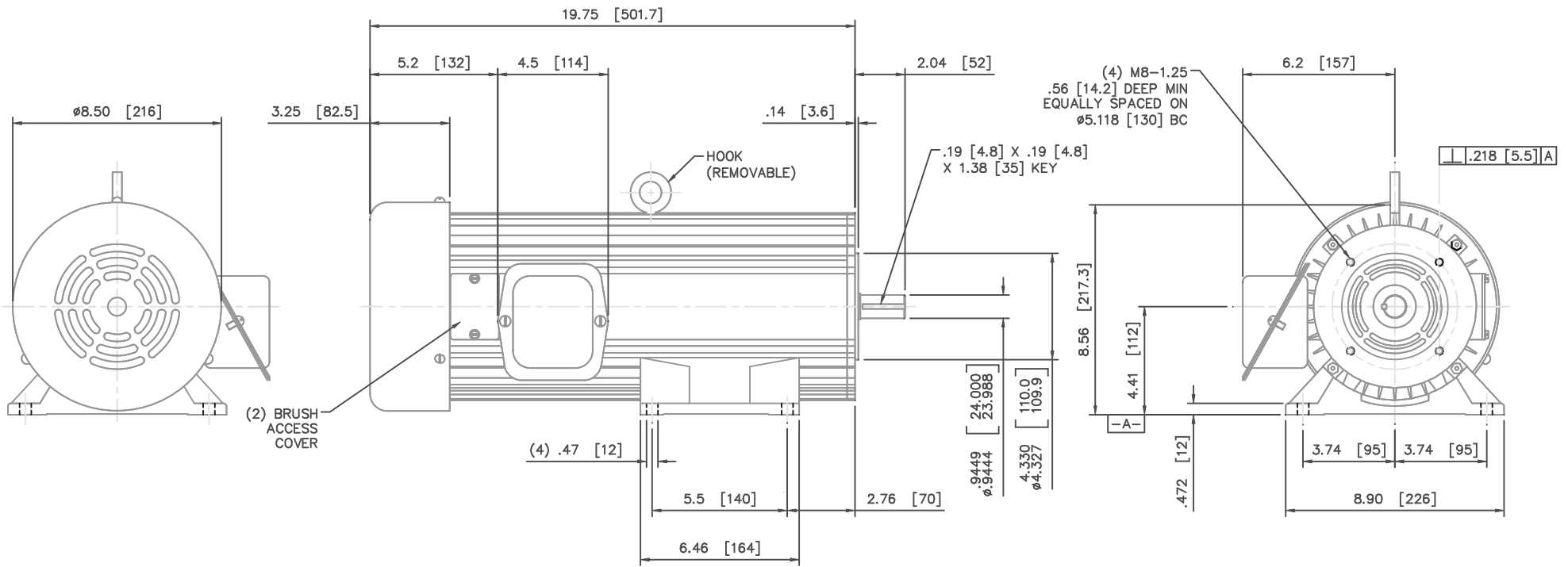
Nameplate Specifications

Output HP	3 Hp	Output KW	2.2 kW
Voltage	180 V	Speed	1750 rpm
Service Factor	1.0	Frame	112MD
Enclosure	Totally Enclosed Fan Cooled	Thermal Protection	No Protection
Efficiency	88.8 %	Ambient Temperature	40 °C
Current	14.0 A	Duty	S1
Insulation Class	H	Drive End Bearing Size	6205
Opp Drive End Bearing Size	6204	UL	Recognized
CSA	Y	CE	N

Technical Specifications

Rotation	Reversible	Mounting	B3/B14
Overall Length	19.75 in	Shaft Diameter	0.937 in
Shaft Extension	2.04 in	Torque	108 LB-IN
Outline Drawing	034374		

This is an uncontrolled document once printed or downloaded and is subject to change without notice. Date Created:11/03/2023



VOLTAGE	180 DC
HORSEPOWER	3.0
RPM	1750
AMPERES	14.0
CONTINUOUS DUTY	
PERMANENT MAGNET FIELD	
CLASS H INSULATION	
BALL BEARINGS	

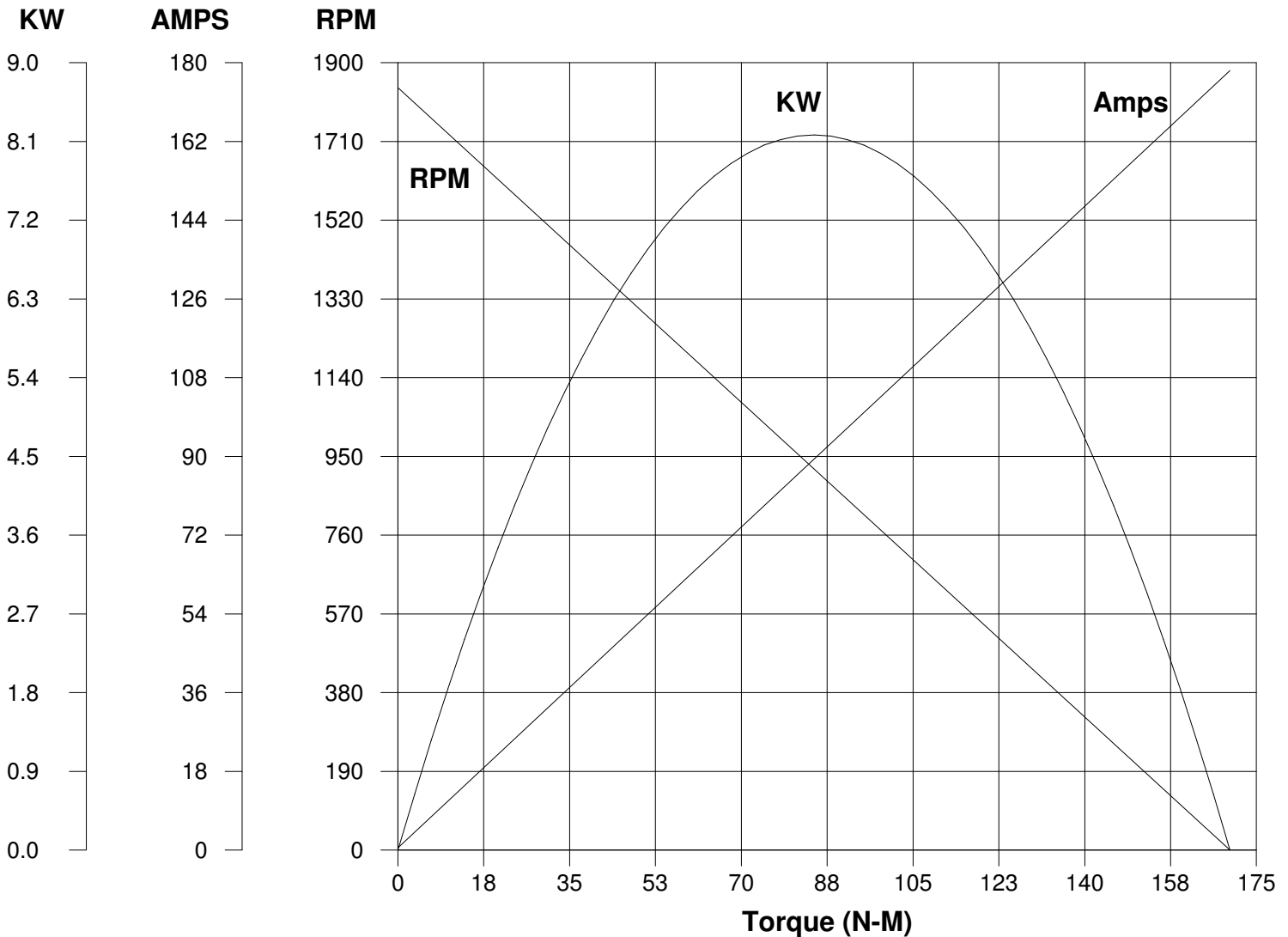
NOTES:
 1) ALL DIMENSIONS REFERENCE UNLESS TOLERANCED.
 2) ALL DIMENSIONS IN [] ARE METRIC (MILLIMETERS).

			TOLERANCES UNLESS SPECIFIED		LEESON	ELECTRIC MOTORS GEARMOTORS AND DRIVES	DRAWN
			DEC.	INCHES			MMG 10/31/94
01	REDRAWN ON CAD FROM PDF FILE, ALL DIMS SHOWN	SAD 11/18/05	.X	±.1	TITLE		CHK
	ARE TO SCALE BUT DON'T TRUST OTHER GEOMETRY PER		.XX	±.03	OUTLINE DC MOTOR		APPD
	ECR 88469		.XXX	±.005	TEFC 56 FRAME		SCALE 1=4
			.XXXX	±.0005	MAT'L		REF
NO.	REVISION	BY & DATE	CHK	ANG ±1/2'	FINISH		PREV
THIS DRAWING IN DESIGN AND DETAIL IS OUR PROPERTY AND MUST NOT BE USED EXCEPT IN CONNECTION WITH OUR WORK ALL RIGHTS OF DESIGN AND INVENTION ARE RESERVED THIS IS AN ELECTRONICALLY GENERATED DOCUMENT - DO NOT SCALE THIS PRINT			RFP		CAD FILE	034374	SIZE
			DIST				DRAWING NO.
							B 034374.00
							REV. 01

LEESON ELECTRIC CORPORATION

TYPICAL PERFORMANCE CURVE FOR DIRECT CURRENT PERMANENT MAGNET MOTOR

Model No. <u>CI6D17FK1</u>	Catalog No. <u>118014.00</u>	
KW <u>2.200</u>	RPM <u>1750</u>	DC Volts <u>180.0</u>
F.F. <u>1.40</u>	Encl <u>IP54</u>	Type <u>*</u>
Max. Amb. <u>40.0 Deg C</u>	Insul. <u>H</u>	Frame <u>112MD</u>
		N.P. FLA <u>14.00</u>
		S.F. <u>1.00</u>
		Duty <u>CONT</u>



Ra 0.6000 Ohms
La 7.200 mHenrys
Ja 117.1 KG-CM²
Ke 109.9 V/KRPM

Kt 1.050 N-M/AMP
Imax 78.0 AMPS Allowed
FL Torque 12.20 N-M
FL EFF 91.00 %

Winding W- 118014 **Prepared by** V. Boehlen **Date** 05-18-2005