

# PRODUCT INFORMATION PACKET

Model No: 182TTTS18532

Catalog No: S506

Air Compressor Motor, 3 HP, 3 Ph, 60 Hz, 460 V, 1800 RPM, 182T Frame, TEAO



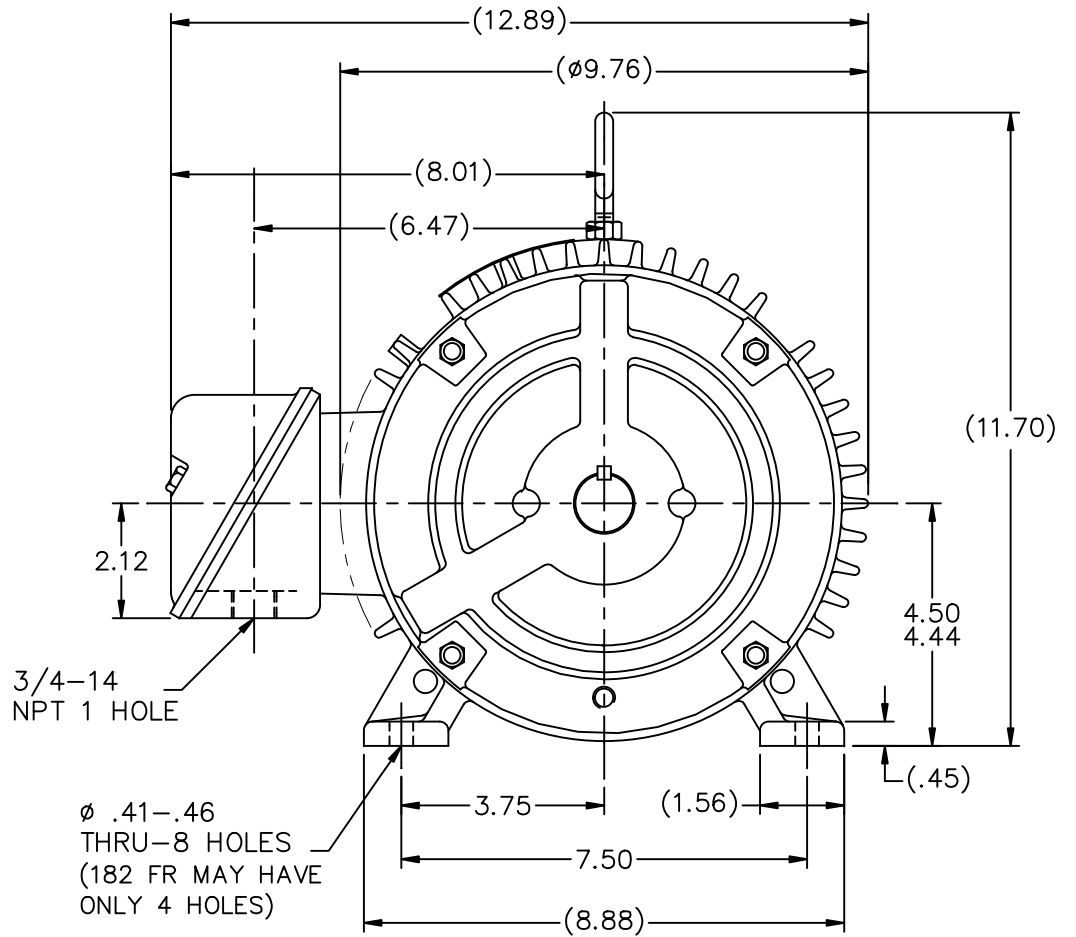
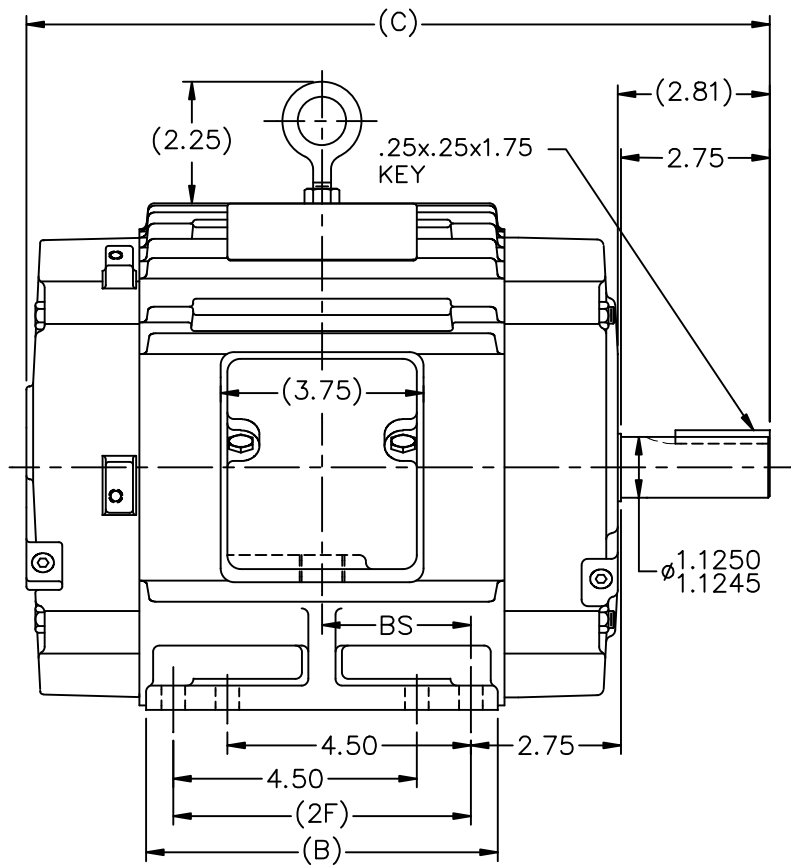
Regal and are trademarks of Regal Rexnord Corporation or one of its affiliated companies.  
©2022 Regal Rexnord Corporation, All Rights Reserved. MC017097E

### Nameplate Specifications

Output HP	<b>3 Hp</b>	Output KW	<b>2.2 kW</b>
Frequency	<b>60 Hz</b>	Voltage	<b>460 V</b>
Current	<b>3.9 A</b>	Speed	<b>1755 rpm</b>
Service Factor	<b>1</b>	Phase	<b>3</b>
Efficiency	<b>90.2 %</b>	Power Factor	<b>81</b>
Duty	<b>Continuous</b>	Insulation Class	<b>H</b>
Design Code	<b>B</b>	KVA Code	<b>K</b>
Frame	<b>182T</b>	Enclosure	<b>Totally Enclosed Air Over</b>
Thermal Protection	<b>Thermostat</b>	Ambient Temperature	<b>100 °C</b>
Drive End Bearing Size	<b>6206</b>	Opp Drive End Bearing Size	<b>6205</b>
UL	<b>Recognized</b>	CSA	<b>Y</b>
CE	<b>N</b>	IP Code	<b>54</b>
Number of Speeds	<b>1</b>		

### Technical Specifications

Electrical Type	<b>Squirrel Cage Inverter Rated</b>	Starting Method	<b>Line Or Inverter</b>
Poles	<b>4</b>	Rotation	<b>Reversible</b>
Resistance Main	<b>4.18 Ohms</b>	Mounting	<b>Rigid Base</b>
Motor Orientation	<b>Horizontal</b>	Drive End Bearing	<b>Ball / Heat Stabilized</b>
Opp Drive End Bearing	<b>Ball / Heat Stabilized</b>	Frame Material	<b>Cast Iron</b>
Shaft Type	<b>T</b>	Overall Length	<b>13.74 in</b>
Frame Length	<b>6.75 in</b>	Shaft Diameter	<b>1.125 in</b>
Shaft Extension	<b>2.81 in</b>	Assembly/Box Mounting	<b>F1/F2 CAPABLE</b>
Inverter Load	<b>VARIABLE 20:1</b>		
Outline Drawing	<b>A-SS67889-675</b>	Connection Drawing	<b>A-EE7300T</b>



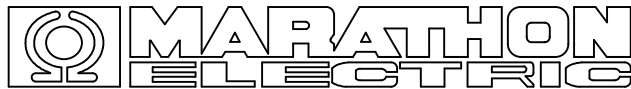
DASH	FR.	C	B	2F	BS	MOUNTING
575	182T	12.74	5.50	4.50	2.25	F1 OR F2
675	182/4T	13.74	6.50	5.50	2.75	F1 OR F2
800	182/4T	14.99	7.75	5.50	3.38	F1 ONLY

NOTES:

1. CONDUIT BOX CAN BE ROTATED IN 90° STEPS.
2. CONDUIT BOX CAN BE MOUNTED ON OPPOSITE SIDE BY REMOVING BRACKETS AND TURNING FRAME 180°.
3. NAMEPLATE TO BE READ FROM CONDUIT BOX SIDE OF MOTOR.

NO.	REVISION	BY & DATE	CHK	ANG	±7'30"
10	REVISED -575 MOUNTING MU98218	SJW 11/9/2010			
9	SHAFT EXT. WAS 2.72 NOW 2.75 CN46656	RJW 03-15-2007	ML	DEC.	INCHES
8	ADDED 2F DIMENSION TO DASH 575 CN 33528	TAT 04-01-2004	ML	.X	±.1
7	SHOWED PROPER THREAD EXT. LOC. CN 29200-323	TJB 04-10-2000		.XX	±.03
6	ADDED -675 W/ 182T FRAME & MTGS. CN 27400-320	CAE 01-17-2000		.XXX	±.005
5	ADDED FOUR MOUNTING HOLES IN BASE CN 26348	DRS 08-11-1998		.XXXX	±.0005

TOLERANCES UNLESS SPECIFIED	INCHES
DEC.	INCHES
.X	±.1
.XX	±.03
.XXX	±.005
.XXXX	±.0005
ANG	±7'30"



TITLE OUTLINE	180 FR. - BB - TS - TENV
MAT'L.	
FINISH	

DRAWN	SMC 10-01-1992
CHK	MOL 10-01-1992
APPD	GK 10-01-1992
SCALE	9=32
REF	
FMF	
PREV	

THIS DRAWING IN DESIGN AND DETAIL IS OUR PROPERTY AND MUST NOT BE USED EXCEPT IN CONNECTION WITH OUR WORK ALL RIGHTS OF DESIGN AND INVENTION ARE RESERVED THIS IS AN ELECTRONICALLY GENERATED DOCUMENT - DO NOT SCALE THIS PRINT

RFP	
DIST	LB

CAD FILE	ss67889
SIZE	A

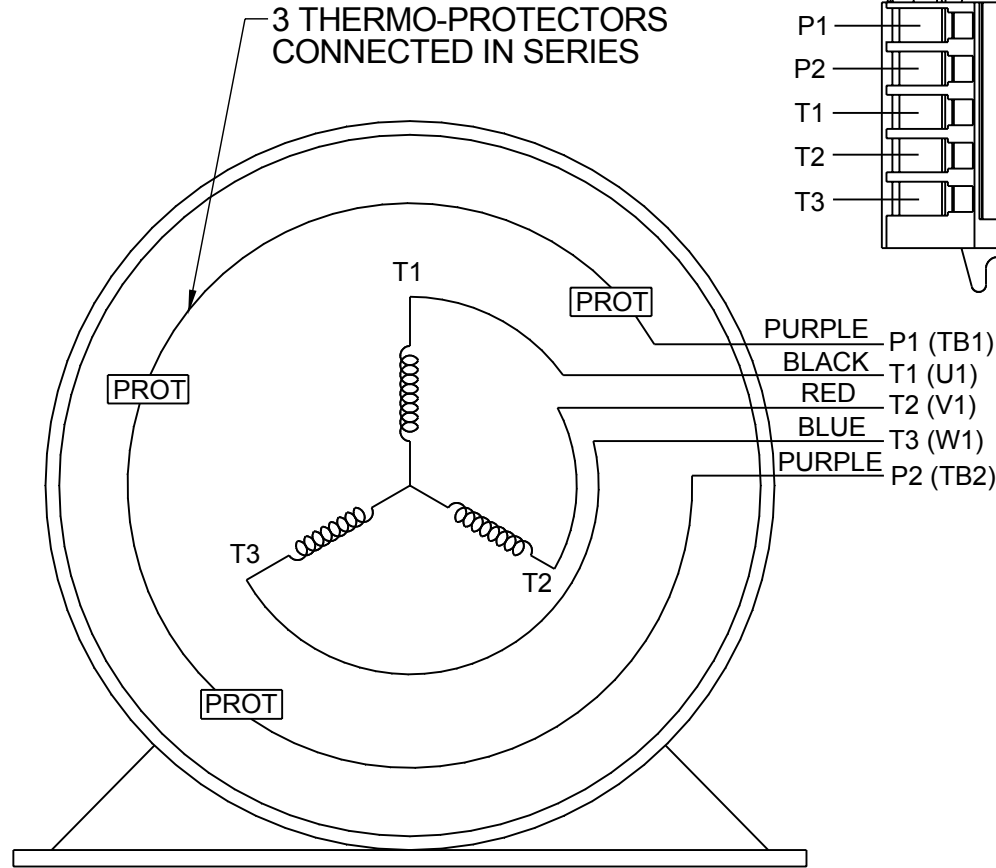
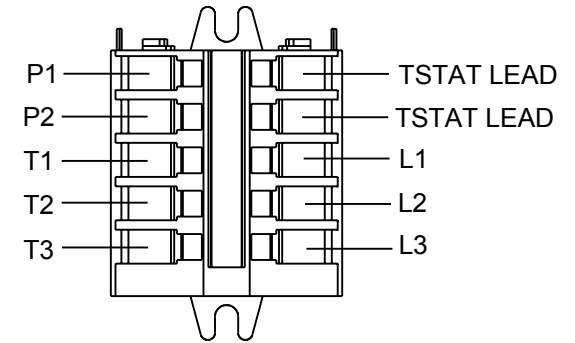
DRAWING NO.	SS67889	PAGE	OF	REV.	10
-------------	---------	------	----	------	----

**THREE PHASE - SINGLE VOLTAGE  
MOTOR - CONDUIT BOX @ 'A'**

**TO REVERSE ROTATION:  
INTERCHANGE ANY TWO LINE  
LEAD CONNECTIONS**

**NOTE FOR FACTORY USE ONLY:  
TO SURGE TEST:  
FOR 3 LEAD COMMON CONNECT:  
CONNECT P1 TO T1 THEN P2 TO L1  
FOR 6 LEAD COMMON CONNECT:  
CONNECT P1 TO BOTH T1  
THEN P2 TO L1**

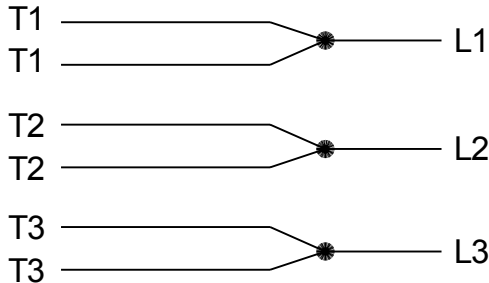
TERMINAL BLOCK WHEN SPECIFIED



PURPLE P1 (TB1)  
BLACK T1 (U1)  
RED T2 (V1)  
BLUE T3 (W1)  
PURPLE P2 (TB2)

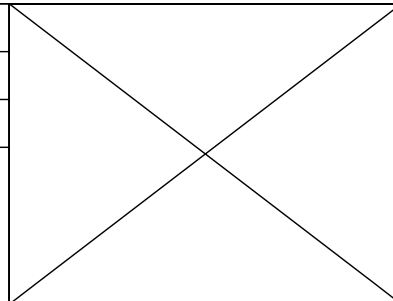
T2BM  
T6AW  
T6AL  
T6Z  
T4EG  
T4BF  
T8A  
T6H  
T6A  
T4AX  
T4A  
T2A  
T2F

**IF MOTOR HAS MULTIPLE  
T'S PER LEAD CONNECT  
TOGETHER LIKE T'S**



**A-9806 DECAL**

DRAWING REVISION AB	REVISION BY AJW	DATE 07-17-2015
ECO ECO-0081632	APPROVED BY T.VUE	DATE 07-17-2015
ECO DESCRIPTION REV'D IEC MARKINGS PER IEC-60034-8		
<small>COPYRIGHT REGAL BELOIT AMERICA, INC. ALL RIGHTS RESERVED. PROPRIETARY AND CONFIDENTIAL INFORMATION - THIS DOCUMENT IS THE PROPERTY OF REGAL BELOIT AMERICA, INC. ("OWNER") AND CONTAINS OWNER'S PROPRIETARY INFORMATION. ANY PERSON, CORPORATION OR OTHER FIRM RECEIVING IT IS DEEMED, BY RECEIVING IT, TO AGREE THAT IT, AND/OR ANY PART OF IT, SHALL NOT BE DISCLOSED TO ANY PERSON, CORPORATION OR OTHER ENTITY, DUPLICATED, AND/OR USED, EXCEPT AS EXPRESSLY APPROVED IN WRITING IN ADVANCE BY OWNER. THIS DOCUMENT SHALL BE RETURNED TO OWNER UPON REQUEST. IT MAY BE SUBJECT TO CERTAIN RESTRICTIONS UNDER APPLICABLE EXPORT CONTROL LAWS AND REGULATIONS.</small>		



DRAWN BY LZ	<b>Regal Beloit America, Inc.</b>
DATE 01-04-1994	
APPROVED BY GK	DESCRIPTION <b>CONN DIAGRAM-EXTERNAL</b> 3Ø-SINGLE VOLT-MOTOR WITH PROTECTOR
DATE 01-20-1994	MATERIAL
REFERENCE	PROCESS/FINISH
THIRD ANGLE PROJECTION	SIZE <b>A</b>
DRAWING NUMBER <b>EE7300T</b>	
SHEET 1 OF 1	

CERTIFICATION DATA SHEET

Model#: 182TTTS18532 AN WINDING#: K1824153 NONE 2  
 CONN. DIAGRAM: A-EE7300T ASSEMBLY: F1/F2 CAPABLE  
 OUTLINE: A-SS67889-675

TYPICAL MOTOR PERFORMANCE DATA

HP	KW	SYNC. RPM	F.L. RPM	FRAME	ENCLOSURE	KVA CODE	DESIGN
3	2.24	1800	1755	182T	TEAO	K	B

PH	Hz	VOLTS	FL AMPS	START TYPE	DUTY	INSL	S.F	AMB°C	ELEVATION
3	60	460	3.9	LINE OR INVERTER	CONTINUOU S	H4	1.0	100	3300

FULL LOAD EFF: 90.2	3/4 LOAD EFF: 90.2	1/2 LOAD EFF: 88.5	GTD. EFF	ELEC. TYPE	NO LOAD AMPS
FULL LOAD PF: 81	3/4 LOAD PF: 76	1/2 LOAD PF: 65	89.5	SQ CAGE INV RATED	1.8

F.L. TORQUE	LOCKED ROTOR AMPS	L.R. TORQUE	B.D. TORQUE	F.L. RISE°C
9 LB-FT	32	20 LB-FT 222	28 LB-FT 311	90

SOUND PRESSURE @ 3 FT.	SOUND POWER	ROTOR WK^2	MAX. WK^2	SAFE STALL TIME	STARTS /HOUR	APPROX. MOTOR WGT
0 dBA	10 dBA	0.4 LB-FT^2	20 LB-FT^2	25 SEC.	2	90 LBS.

\*\*\* SUPPLEMENTAL INFORMATION \*\*\*

DE BRACKET TYPE	ODE BRACKET TYPE	MOUNT TYPE	ORIENTATION	SEVERE DUTY	HAZARDOUS LOCATION	DRIP COVER	SCREENS	PAINT
STANDARD	STANDARD	RIGID	HORIZONTAL	PREMIUM SEVERE DUTY	NONE	FALSE	NONE	BLUE (EPOXY)

BEARINGS		GREASE	SHAFT TYPE	SPECIAL DE	SPECIAL ODE	SHAFT MATERIAL	FRAME MATERIAL
DE	OPE						
BALL / HEAT STABILIZED	BALL / HEAT STABILIZED	DC 44M	T	NONE	NONE	1144 STRESSPROOF (C-223)	CAST IRON
6206	6205						

THERMO-PROTECTORS				THERMISTORS	CONTROL	SPACE /n HEATERS
THERMOSTATS	PROTECTORS	WDG RTDs	BRG RTDs			
TSTATS CLH (N/C)	NOT	NONE	NONE	NONE	FALSE	NONE VOLTS

If Inverter equals NONE, contact factory for further information

\*  
N  
O  
T  
E  
S  
\*

INVERTER TORQUE: VARIABLE 20:1
INV. HP SPEED RANGE: NONE
ENCODER: NONE
NONE NONE
NONE NONE PPR
BRAKE: NONE NONE
NONE P/N NONE
NONE NONE
NONE FT-LB NONE V NONE Hz

DATE: 06/27/2017 03:46:26 AM  
 FORM 3531 REV.3 02/07/99  
 \*\* Subject to change without notice.

**Data Sheet**

**Date:** 29-06-2017  
**Customer:** \_\_\_\_\_  
**Attention:** \_\_\_\_\_  
**Submitted by:** FAREEDA DUDEKULA



182TTS18532

**Submittal**

Data @ **460 V**

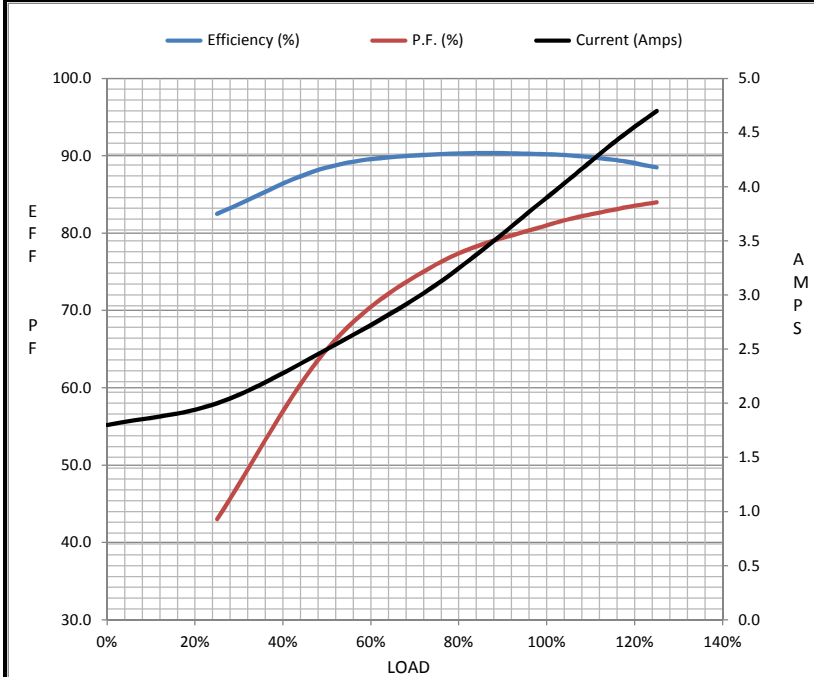
**Motor Load Data**

Load	0%	25%	50%	75%	100%	115%	125%	LR
Current (Amps)	1.80	2.00	2.50	3.1	3.9	4.4	4.7	32.0
Torque (ft-lb)	0.00	2.20	4.4	6.7	9.0	10.4	11.2	20.0
RPM	1800	1790	1780	1770	1755	1,750	1745	0
Efficiency (%)		82.5	88.5	90.2	90.2	89.5	88.5	
P.F. (%)	6.5	43.0	65.0	76.0	81.0	83.0	84.0	45.0

**Motor Speed Data**

	LR	Pull-Up	BD	Rated	Idle
Speed (RPM)	0	750	1375	1755	1800
Current (Amps)	32.0	29.0	19.5	3.9	1.80
Torque (ft-lb)	20.0	18.0	28.0	9.0	0.00

Information Block				
HP	3.0			
Sync. RPM	1800			
Frame	182			
Enclosure	TEAO			
Construction	TTS			
Voltage	460 V			
Frequency	60 Hz			
Design	B			
LR Code letter	K			
Service Factor	1.15			
Temp Rise @ FL	0 ° C			
Duty	CONT AOM			
Ambient	40 ° C			
Elevation	1,000 feet			
Rotor/Shaft wk <sup>2</sup>	0.40 Lb-Ft <sup>2</sup>			
Ref Wdg	K1824153 NONE			
Sound Pressure @ 1M	0 dBA			
VFD Rating	VARIABLE 20:1			
Outline Dwg	A-SS67889-675			
Conn. Diag	A-EE7300T			
Additional Specifications:				
0				
365THFS8036				
EQUIV CKT (OHMS / PHASE)				
R1	R2	X1	X2	Xm
2.6930	1.8140	5.4340	8.6090	147.8930



**Speed - Torque Curve**

