

PRODUCT INFORMATION PACKET

Model No: 048A11O1062

Catalog No: X203

Other Purpose Motor, 0.50 HP, 1 Ph, 60 Hz, 208-230 V, 1200 RPM, 48Y Frame, OAO



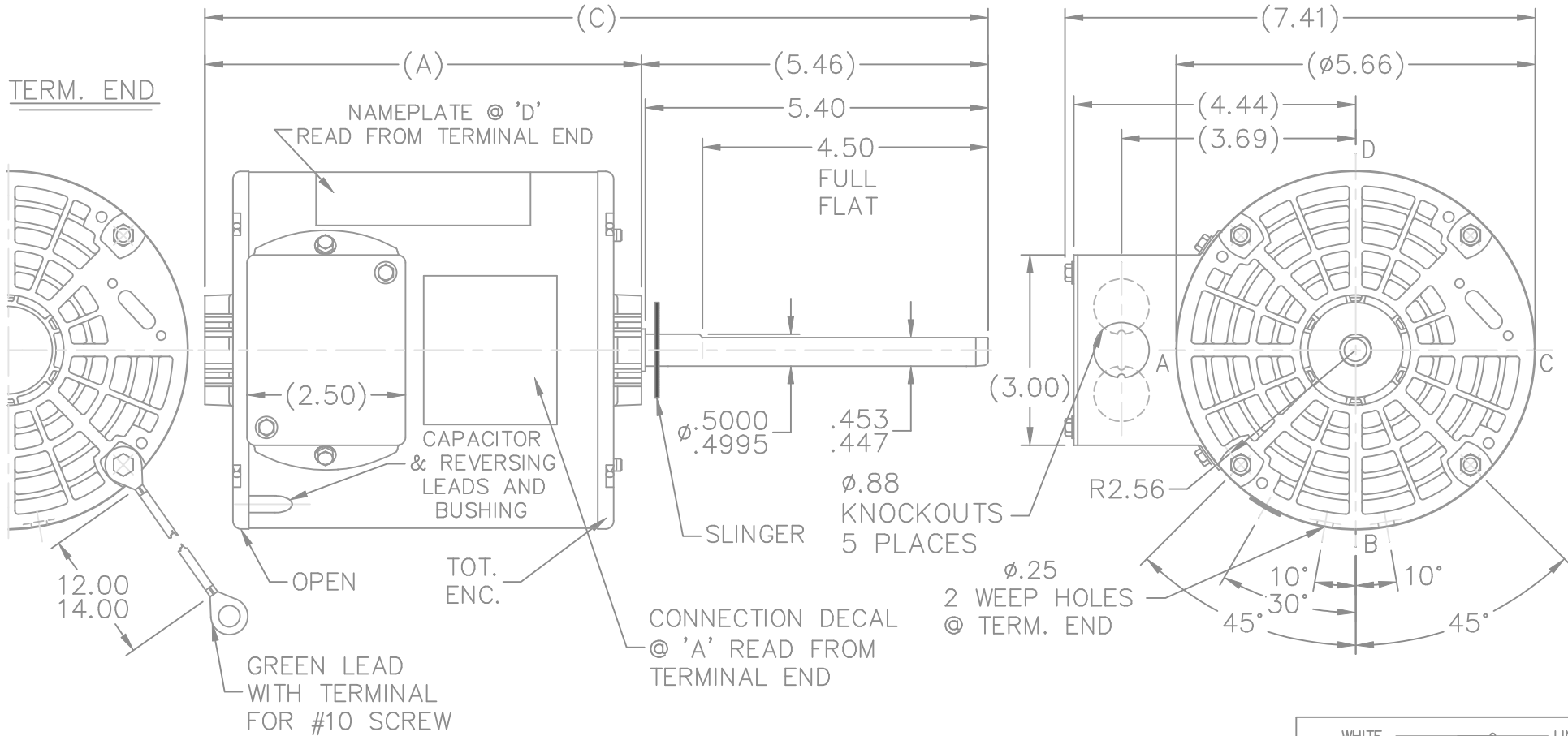
Regal and are trademarks of Regal Rexnord Corporation or one of its affiliated companies.
©2022 Regal Rexnord Corporation, All Rights Reserved. MC017097E

Nameplate Specifications

Output HP	0.50 Hp	Output KW	0.37 kW
Frequency	60 Hz	Voltage	208-230 V
Current	5.7-5.3 A	Speed	1075 rpm
Service Factor	1	Phase	1
Efficiency	64 %	Power Factor	70
Duty	Continuous	Insulation Class	B
Design Code	NO DESIGN CODE	KVA Code	F
Frame	48Y	Enclosure	Open Air Over
Thermal Protection	Automatic Lock Rotor Only	Ambient Temperature	40 °C
Drive End Bearing Size	6203	Opp Drive End Bearing Size	6203
UL	Recognized	CSA	Y
CE	N	IP Code	10
Number of Speeds	1		

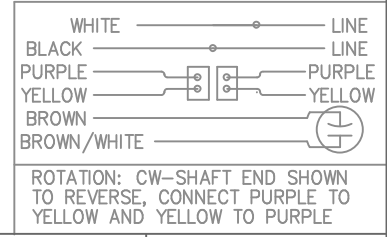
Technical Specifications

Electrical Type	Permanent Split Capacitor	Starting Method	Across The Line
Poles	6	Rotation	Selective Counterclockwise
Resistance Main	0 Ohms	Mounting	Round
Motor Orientation	Horizontal	Drive End Bearing	Ball
Opp Drive End Bearing	Ball	Frame Material	Rolled Steel
Shaft Type	Single Special Extension	Overall Length	12.84 in
Frame Length	6.00 in	Shaft Diameter	0.500 in
Shaft Extension	5.46 in	Assembly/Box Mounting	F1 ONLY
Outline Drawing	A-SS74713-600	Connection Drawing	6906496



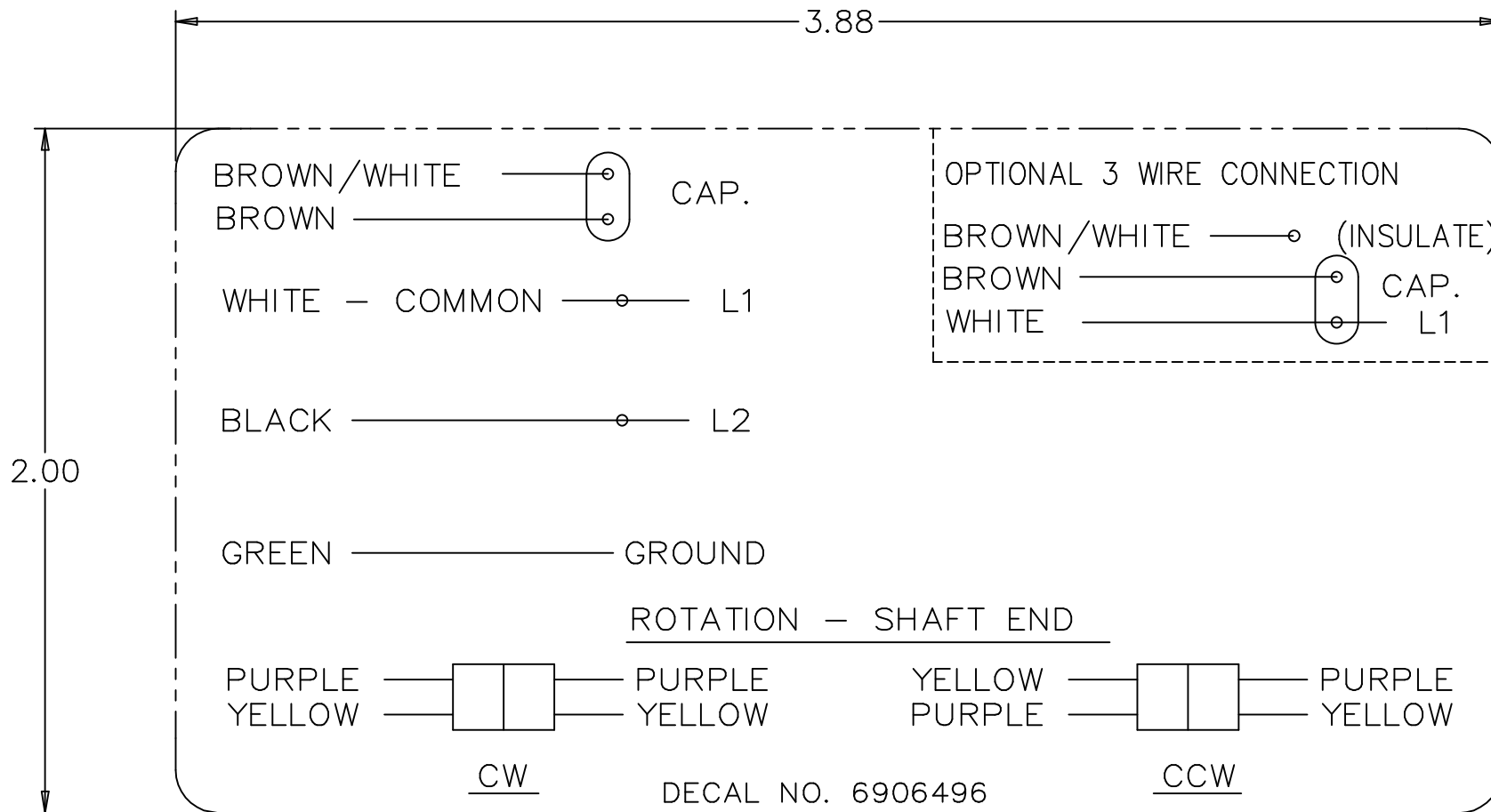
LEAD DESCRIPTION:

1 WHITE & 1 BLACK WITH .50 BARE WIRE STRIP 36"-39" LONG
 2 BROWN CAPACITOR LEADS W/.25 FLAG TYPE QUICK CONNECTS 36"-39" LONG. BROWN W/ WHITE MARK IS COMMON TO WHITE LEAD
 REVERSING LEADS ARE MOLDED INTO MATING PULL APART PLUG.
 ONE PURPLE AND ONE YELLOW PER PLUG, 4"-6" LONG



DASH	FR.	C	A
600	48	12.84	7.38

				TOLERANCES UNLESS SPECIFIED			DRAWN BLR 03-27-1998 CHK ML 03-31-1999 APPD GK 03-31-1999 SCALE 13=32 REF FMF PREV
				DEC.	INCHES		TITLE OUTLINE 48 FR.
4	REDRAWN IN AUTOCAD	TAT 10-13-2004	ML	.X	±.1	MAT'L.	
3	REVISED NAMEPLATE LOCTION, WAS AT 'C' AND CONNECTION DECAL WAS AT 'D' CN 23975-507	CAE 06-10-1999		.XX	±.03		FINISH
2	REDRAWN ON CADD	BLR 03-31-1999		.XXX	±.005		
NO.	REVISION	BY & DATE	CHK	ANG	±'30"		
THIS DRAWING IN DESIGN AND DETAIL IS OUR PROPERTY AND MUST NOT BE USED EXCEPT IN CONNECTION WITH OUR WORK ALL RIGHTS OF DESIGN AND INVENTION ARE RESERVED THIS IS AN ELECTRONICALLY GENERATED DOCUMENT - DO NOT SCALE THIS PRINT				RFP		CAD FILE ss74713	SIZE A
				DIST	WP		DRAWING NO. SS74713
							PAGE OF 4
							REV. 4



NO.	REVISION	BY & DATE	CHK	TOLERANCES UNLESS SPECIFIED		FINISH	DRAWING NO.	PAGE	OF	REV.			
				DEC.	INCHES								
4	ADDED DIM. TO DECAL	RDH 09/22/2003	ML	.X	±.1								
3	REMOVED 'MARATHON ELECTRIC' CN 35106	DRS 05-01-2002	TOM	.XX	±.02								
2	PART NAME WAS CONNECTION DIAGRAM CN 25669	MRB 04-23-1998		.XXX	±.005								
1	NEW DRAWING CN 25669	MRB 04-22-1998		.XXXX	±.0005								
				ANG	±7'30"								
THIS DRAWING IN DESIGN AND DETAIL IS OUR PROPERTY AND MUST NOT BE USED EXCEPT IN CONNECTION WITH OUR WORK ALL RIGHTS OF DESIGN AND INVENTION ARE RESERVED THIS IS AN ELECTRONICALLY GENERATED DOCUMENT - DO NOT SCALE THIS PRINT						RFP	CAD FILE 6906496		SIZE	DRAWING NO.	PAGE	OF	REV.
						DIST WP			A	6906496			4



DRAWN MRB 04-16-1998
CHK ML 04-22-1998
APPD GK 04-22-1998
TITLE CONNECTION DECAL
SCALE 1=1
REF
FMF
PREV



MARATHON ELECTRIC CORPORATION
TYPICAL PERFORMANCE CURVE for AC MOTOR

Customer

Curve at

230 Volts
60 HZ
0.5 HP

HP 0.50

PHASE 1

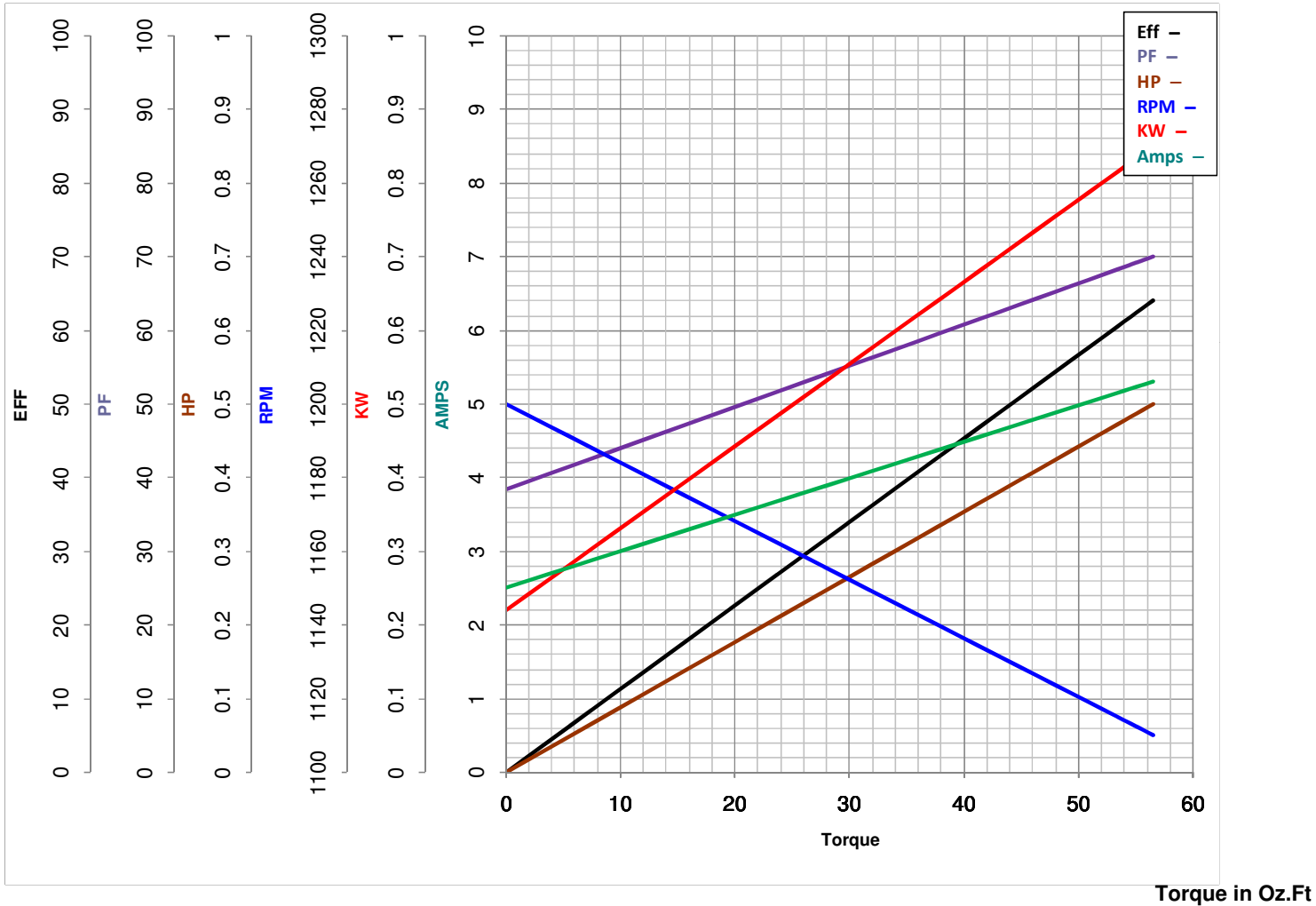
Model No 48A11O1062

VOLTS 208-230

Catalog No X203

HZ 60

RPM 1075



FL TORQUE	<u>56.5</u>	Oz.Ft	FL AMPS	<u>5.7-5.3</u>	
BD TORQUE	<u>81.1</u>	Oz.Ft	PU TORQUE	<u>12.7</u>	Oz.Ft
LR TORQUE	<u>12.9</u>	Oz.Ft	LR AMPS	<u>12.1</u>	
WINDING	PE486520-2		Date	1/2/2019	